

How to Use This Catalog	ii
General Information	iv
How To Identify A Spicer Axle	iv
How To Change Gear Ratios	iv
How Limited Slip Differentials Operate	v
How To Distinguish a Powr-Lok™ from a Trac-Lok™	v
How To Obtain Special Service Tools	v
Light Axle Kits	vi
Dodge / Chrysler	
Model 44 Front (1967-1978)	1
Model 60 Front (1975-1978)	13
Model 60 Rear (1967-1978)	17
Model 70 Front (1967-1978)	27
Model 70 Rear (1967-1978)	33
Ford	
Model 30 Front (1967-1971)	41
Model 44 Front (1967-1978)	47
Model 44 Rear (1967-1978 1/2)	71
Model 60 Front (1974-1978)	77
Model 60 & 61 Rear (1967-1978)	85
Model 70 Rear (1968-1978 1/2)	103
GMC / Chevrolet	
Model 44 Front (1967-1978)	113
Model 44 Rear (1967-1968)	133
Model 60 Front (1977-1978)	137
Model 60 Rear (1968-1978)	139
Model 70 Rear (1973-1978)	149
IHC (Navistar)	
Model 30 Front (1967-1977)	155
Model 44 Front (1967-1978)	163
Model 44 Rear (1967-1978)	177
Model 60 Front (1975)	185
Model 60 Rear (1967-1975)	189
Model 70 Front (1967-1978)	197
Model 70 Rear (1967-1975)	203
AMC / Jeep	
Model 30 Front (1971-1978)	207
Model 30 Rear (1967-1968)	213
Model 44 Front (1971-1978)	217
Model 44 Rear (1967-1978)	229
Model 60 Rear (1974-1978)	241

How to Use This Catalog

This catalog contains applications and part listings for front and rear axles which fit vehicles from model years 1967-1978. For information on model years between 1978-1998, please refer to catalog X510-9DSD. For miscellaneous models from years 1979-1984, please refer to X510-7DSD.

The data in this publication is arranged by make, then in numerical order by model for front axles and then for rear axles. Each model contains the following three sections:

- Parts Listing and Exploded View**

This section contains an exploded view of the axle and lists all the part numbers for those parts illustrated. The parts that do not have a common part number have a footnote reference indicating where to find the correct part number for each Bill of Material.

X510-9

GM Model 44 /216 Front Axles Parts Listing



ITEM NO.	PART NUMBER	DESCRIPTION	ITEM NO.	PART NUMBER	DESCRIPTION
1	— ⁽¹⁾	Housing – Axle Service		706116X	KIT – Socket Assembly
2	— ⁽¹⁾	Drive Pinion & Gear Assembly			(inc 32,33,34,35,36,37,38)
3	30764	Slinger – Pinion Bearing Inner	32	44101	Nut – Hex Slotted
4	706031X	Inner Pinion Bearing Kit	33	500024-6	Pin – Cotter
	706376X	KIT – Diff & Pinion Adj Shim (inc 5, 7, 13, 16, 22)	34	35417	Ring – Adjusting Split
	706358X	KIT – Pinion Brg Adj Shim (inc 5, 7, 13, 16)	35	40112	Socket Assembly – Upper
			36	35566	Nut – Hex Jam
			37	40113	Socket Assembly – Lower

- Bill of Material Table**

This section contains vehicle applications listed in order by year. Included in the table are the major kits and assemblies for each Bill of Material number.



GM Model 44 /216 Front Axles Bill of Material Table

X510-9

Bill of Material	Axle		Ring Gear & Pinion Kit ⁽¹⁾	Axle Kits			Shaft & Joint Assy.	
	Diff. Type	Ratio		Case Assy. Kit ⁽¹⁾	Case Kit	Inner Parts Kit	Right Hand Shaft Assy.	Left Hand Shaft Assy.
1978-79 K-20								
610055-1	Standard	3.73	706017-4X	706020X	706024X	706027X	29833-1X	29833-2X
610055-2	Standard	3.73	706017-4X	706020X	706024X	706027X	29833-1X	29833-2X
610055-3	Standard	4.09	706017-5X	706021X	706025X	706027X	29833-1X	29833-2X
610055-4	Standard	4.09	706017-5X	706021X	706025X	706027X	29833-1X	29833-2X
1979 Blazer & K-10								
610054-1	Standard	2.72	706017-18Y	706020Y	706024Y	706027Y	29833-1Y	29833-2Y

- Variable Parts Table

This section contains the individual part numbers that vary by Bill of Material number for a given model.

X510-9

Dodge Model 44 Front Axles Axle Kits - Use with All Applications



Description & Item Number (Refer to "Exploded View" at the front of this section)		Bills of Material				
		602550	602697	603102	603103	603104
Inner Pinion Bearing Kit	4	706031X	706031X	706031X	706031X	706031X
Pinion & Bearing Adjusting Shim (inc. items 5, 7, 12, 13, 16)		706617X	706617X	706617X	706617X	706617X
Differential & Pinion Shim (inc. items 5, 7, 12, 13, 16, 22)		706619X	706619X	706619X	706619X	706619X
Outer Pinion Bearing	8	706030X	706030X	706030X	706030X	706030X
Carrier Cover (inc. 15, 16, 17, 18)		706154X	706154X	706154X	706154X	706154X
Differential Bearing Adj. Shim (16, 22)		706618X	706618X	706618X	706618X	706618X
Differential Bearing	21	706032X	706032X	706032X	706032X	706032X
Steering Knuckle Assembly - RH (inc. items 32, 33, 34, 36, 41)		32460	706408X	706408X	---	32460
Steering Knuckle Assembly - LH	N.I.	32461	---	---	---	32461

Note: Additional information on Spicer axles can be found in our General Information catalog number XGI. It contains the following sections:

- Bill of Material Numerical Listing
- Ring and Pinion Kits
- Differential Case Assembly Kits
- Axle Shaft Dimension and Components

General Information

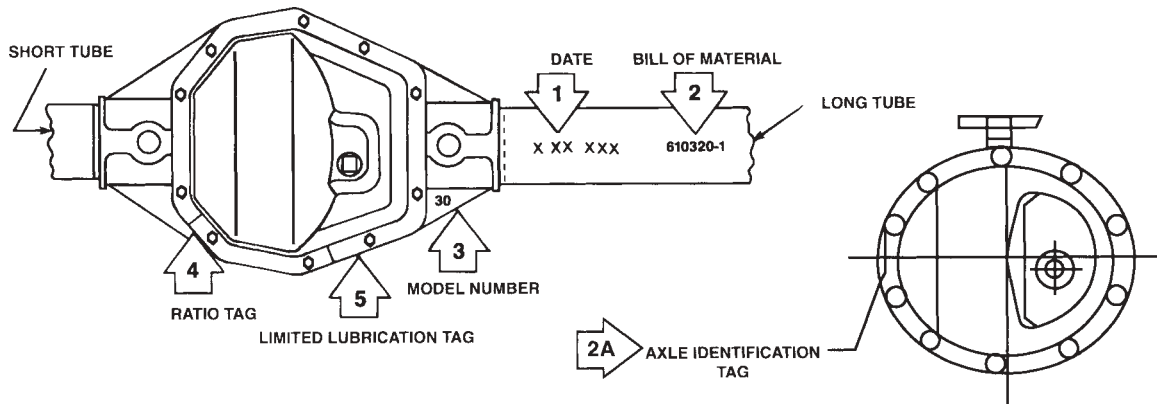
How To Identify A Spicer Axle

All Spicer Carrier Type axles are identified with a manufacturing date (1) and Bill of Material number (2) stamped on the right or left hand tube on driving axles. The Bill of Material number may also be found on the carrier in some models as shown in illustration (2A). For independent front suspension (IFS) axles, the B/M number may be located at one of three locations: 1). A vertically positioned tag near the center of the right hand side support arm, 2) stamped into the left hand side support arm (opposite end of the camber adjuster), or 3) stamped into the "nose end" of the axle carrier. The location of the information will depend on the manufacturing date of the axle.

The axle model number will be cast into one of the webs as shown (3), or it can be on the nose.

Each axle contains a gear ratio tag (4), and if the axle is equipped with a limited slip differential, it will have a tag specifying the type of limited slip lubricant to be used (5).

Refer to the appropriate model number section for parts identification and a breakdown of the Bill of Material.



How To Change Gear Ratios

To increase or decrease a gear ratio, there are certain steps that must be taken. The differential case depends upon the ratio desired. For each axle model, there is a high-ratio and a low-ratio case as illustrated below:

Axle Model	Low Ratio Case	High Ratio Case	Axle Model	Low Ratio Case	High Ratio Case
Model 27	3.73 and Down	3.92 and Up	Model 50	4.10 and Down	—
Model 28	3.45 and Down	3.73 and Up	Model 60	4.10 and Down	4.56 and Up
Model 28 IFS Aerostar	2.27, 3.73	—	Model 61		
Model 30	3.55 and Down	3.73 and Up	Semi Float	3.00 and 3.07 only	
Model 35	2.35 only	—	Model 61		
Model 35	2.73 - 3.31	3.54 and Up	Full Float	3.31 and Down	3.54 and Up
Model 36 ICA	2.73 and Down	3.07 and Up	Model 70	4.10 and Down	4.56 and Up
Model 44	3.73 and Down	3.92 and Up	Model 70-3HD	3.42 and Down	3.73 and Up
Model 44 ICA			Model 70-2UA	3.07 only	—
1984 & earlier	3.73 and Down	3.92 and Up	Model 80	3.73 and Down	4.10 and Up
Model 44 ICA					
1985 & later	2.87 and Down	3.07 and Up			

Example - If you have a model 44 Rear Axle with a 3.54 ratio and wish to change to a 3.73 ratio, you change only the ring gear and pinion assembly. If you change the ratio to a 4.09, you must change to a high-ratio case in addition to changing the ring gear and pinion. The application section will show you what case to use. When the vehicle is equipped with both front and rear driving axles, the gear ratios must be the same in both axles. The drive gear screws are self-locking and must be replaced with new screws each time that they are removed.

How Limited Slip Differentials Operate

A conventional differential transmits all the ring gear torque through the differential gears to the axle shafts. Torque is at all times equal on the axle shafts, and if one wheel slips, the other wheel can only put out as much torque as the slipping wheel.

The Spicer Limited Slip differential has the same power flow as a conventional differential, plus a more direct flow which automatically takes effect as driving conditions demand. This more direct power flow is from the differential case to each axle shaft through a clutch plate and disc arrangement.

Arrangement of these plates and discs is at the option of the vehicle manufacturer, so care should be taken during disassembly to note the arrangement of these components.

The Limited Slip construction permits differential action when required for turning corners and transmits equal torque to both wheels when driving straight ahead. However, when one wheel tries to spin due to leaving the ground, a patch of ice, etc., the clutch packs automatically provide more torque to the wheel which is not trying to spin.

The Limited Slip differential resists wheel spin on bumpy roads and provides more pulling power when one wheel tries to slip. In many cases of differences in traction, pulling power will be automatically provided until both wheels start to slip.

In diagnosis of vehicle operators' complaints, it is important to recognize two things.

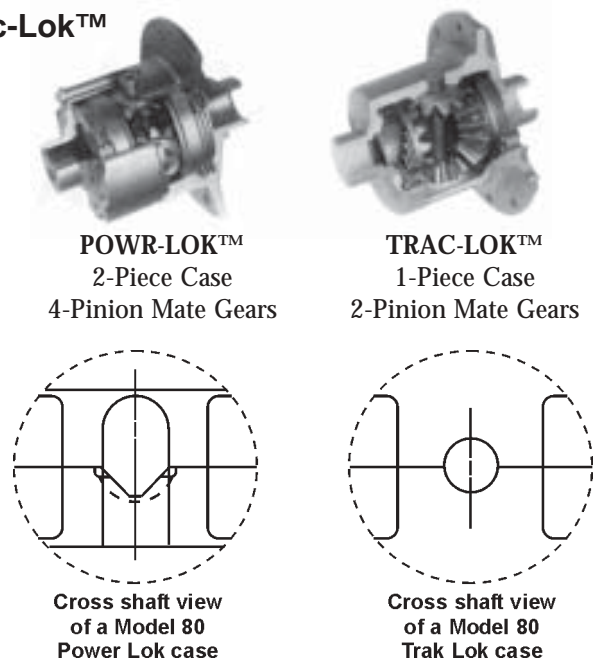
1. If, with unequal traction, both wheels slip, the Limited Slip Differential has done all it can possibly do.
2. In extreme cases of differences in traction, the wheel with the least traction may spin after the Limited Slip has transferred as much torque as possible to the non-slipping wheel.

How To Distinguish a Powr-Lok™ from a Trac-Lok™

All Models **except Model 80 /286**: The Powr-Lok design is identified by its 2-piece case. The Trac-Lok design is identified by its 1-piece case.

Model 80 /286 only: Both the Powr-Lok and the Trac-Lok use 2-piece cases in the model 80 (286) axle. The difference between the two is in the shape of the holes for the cross shaft. The Powr-Lok case will have cross shaft holes that are "U" shaped in one case half and "V" shaped in the other case half. The Trac-Lok case will have cross shaft holes that are semicircles in both case halves.

It is also possible to replace an existing Powr-Lok unit with a complete Trac-Lok unit. For this purpose, the differential case assembly must be replaced.



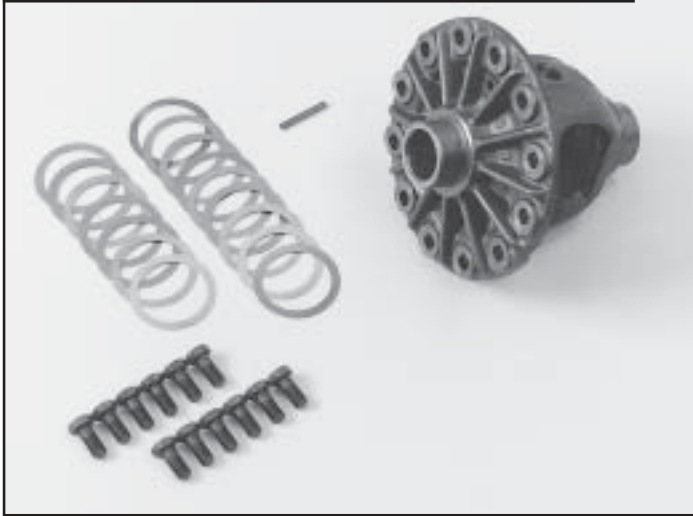
How To Obtain Special Service Tools

Special service tools (see service manuals) can be obtained from the following company:

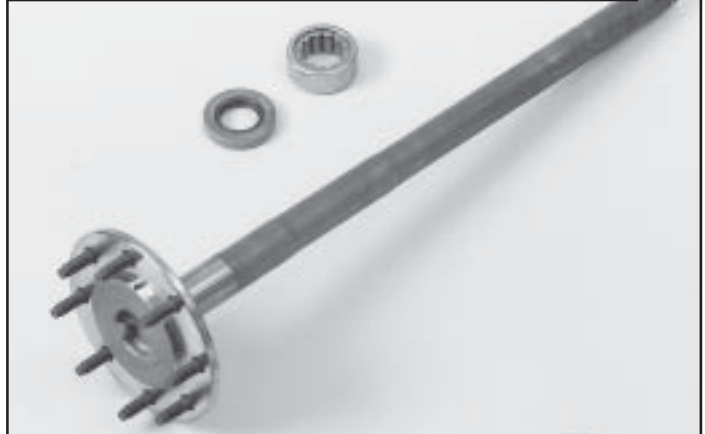
Kent-Moore
 OE Tool and Equipment Group
 SPX Corporation
 28635 Mound Road
 Warren MI 48092-3499
 (800) 345-2233

Light Axle Kits

DIFFERENTIAL CASE KIT



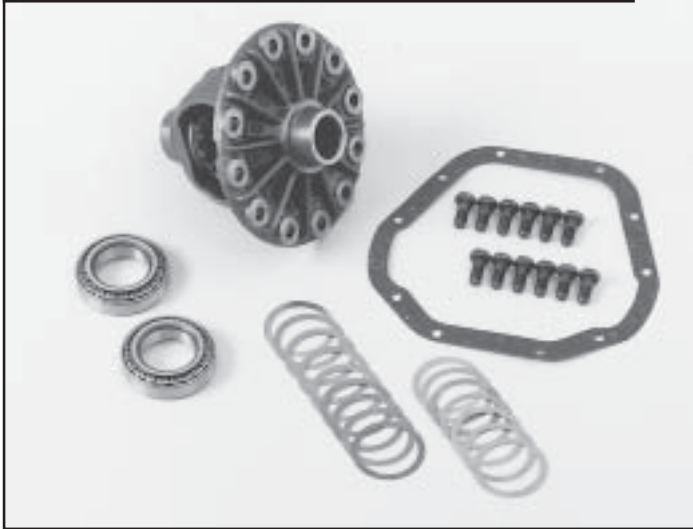
SHAFT ASSEMBLY KIT



DRIVE PINION & GEAR ASSEMBLY KIT



DIFFERENTIAL CASE ASSEMBLY KIT



CARRIER COVER KIT



DIFFERENTIAL INNER PARTS KIT



Dodge / Chrysler 1967-1978

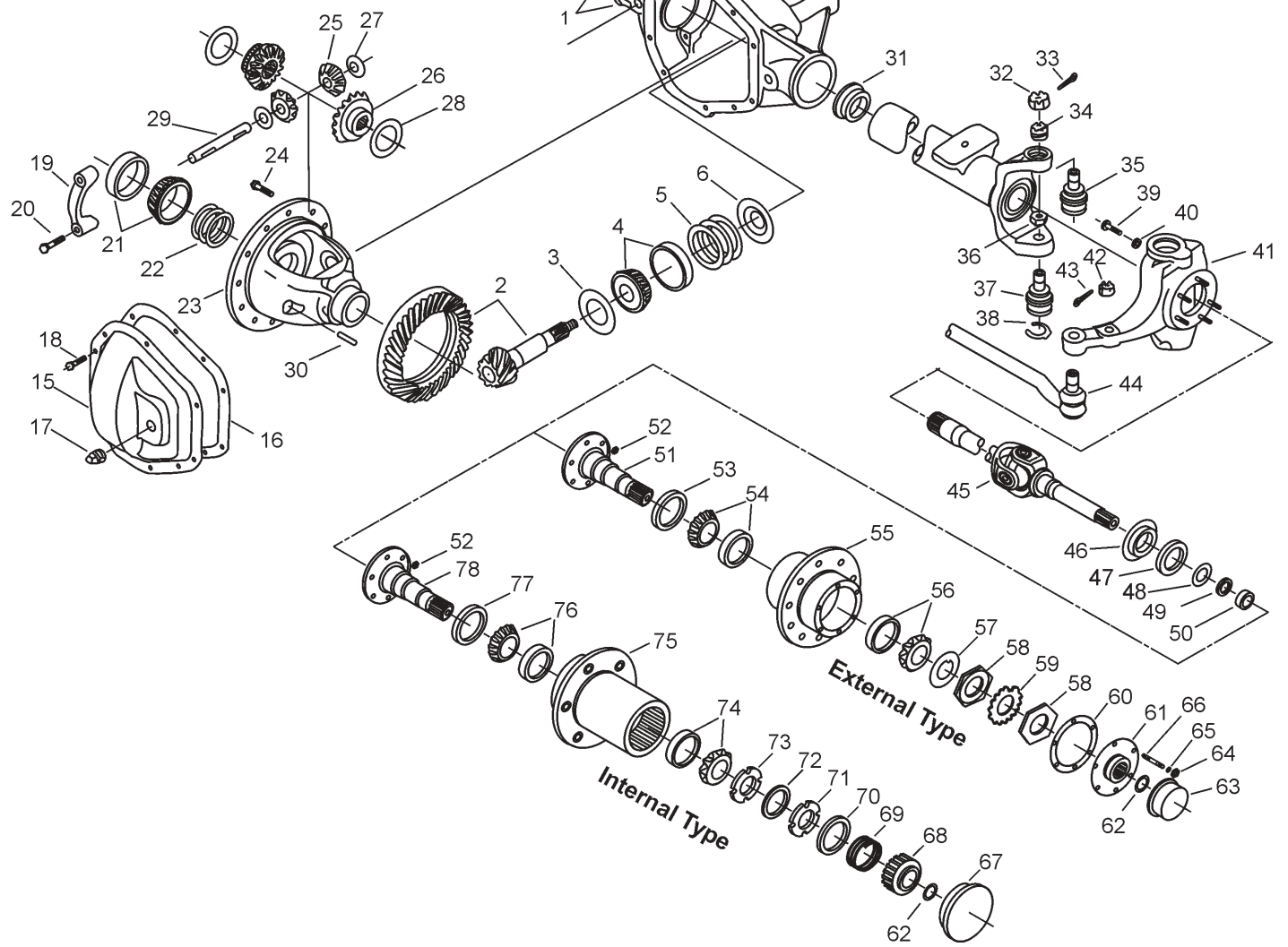
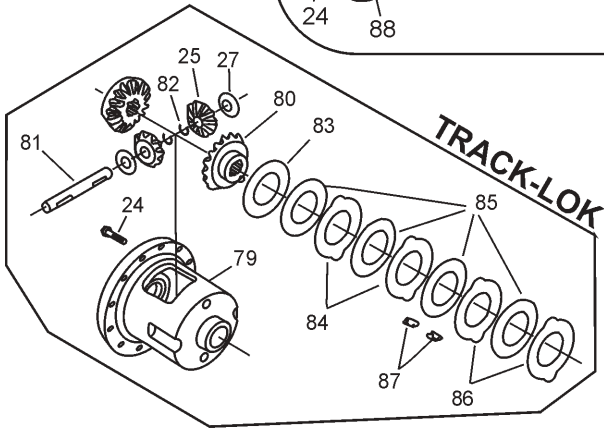
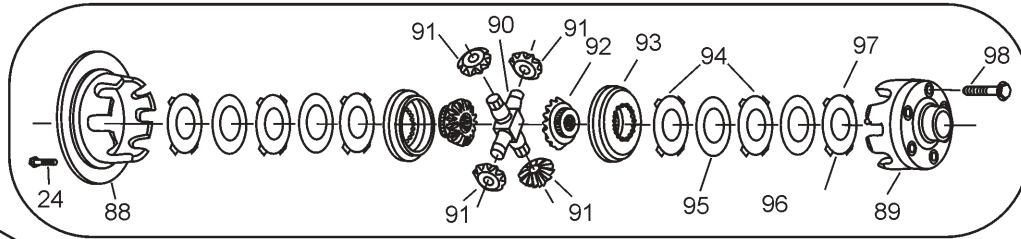
Model 44 Front Axles for

**W100 & W200 Pick-up
Ramcharger & Trail Duster**

Dodge Model 44 Front Axles

Exploded View

POWR-LOK



External Type

Internal Type

Dodge Model 44 Front Axles Parts Listing

ITEM NO.	PART IDENTIFICATION	ITEM NO.	PART IDENTIFICATION	ITEM NO.	PART IDENTIFICATION
1 ⁽¹⁾	Housing – Axle Service	35	Upper Socket Assembly	68	Axle Drive Gear
2	Drive Pinion & Gear Assembly	36	Lock Nut	69	Pressure Spring
3	Slinger – Inner Pinion Bearing	37	Lower Socket Assembly	70	Spring Retaining Plate
4	KIT – Inner Pinion Bearing	38	Snap Ring	71	Wheel Bearing Adjusting Nut
5	Inner Pinion Shims	39	Stop Screw	72	Lock Nut
6	Baffle – Pinion Bearing	40	Jam Nut	73	Nut & Pin Assembly – Inner Lock
7	Outer Pinion Shims	41	Knuckle Assembly	74	KIT – Outer Wheel Bearing
8	KIT – Outer Pinion Bearing	42 ⁽¹⁾	Nut - Hex Slotted	75	Wheel Hub
9	Slinger – Outer Pinion Bearing	43 ⁽¹⁾	Cotter Pin	76	KIT – Inner Wheel Bearing
10	Seal – Pinion Oil	44 ⁽¹⁾	Tie Rod Assembly	77	Oil Seal
11 ⁽²⁾	End Yoke Assembly	45	Shaft & Joint Assembly	78	Wheel Bearing Spindle
12	Washer – Pinion Nut	46	Slinger – Spindle Yoke (pressed on axle shaft if used)	Power-Lok & Trak-Lok Differential	
13	Pinion Nut	47	Oil Seal		
14 ⁽²⁾	Companion Flange Assembly	48	Spacer – Wheel Bearing Spindle	79	Case – Differential
15	Carrier Cover	49	Oil Seal – Block Vee	80	Gear – Differential
16	Carrier Cover Gasket / Sealant	50	Needle Bearing Assembly	81	Shaft – Differential
17	Plug – Carrier Cover	51	Wheel Bearing Spindle	82	Snap Ring
18	Bolt – Carrier Cover	52	Brake Mounting Nut	83	Spacer – Diff. Gear (dished)
19 ⁽¹⁾	Differential Bearing Cap	53	Oil Seal	84	Plate – Differential
20 ⁽¹⁾	Bolt – Differential Bearing Cap	54	KIT – Inner Wheel Bearing	85	Disc – Differential
21	KIT – Differential Bearing	55	Wheel Hub	86	Plate – Differential
22	Shim – Differential Bearing	56	KIT – Outer Wheel Bearing	87	Clip – Diff. Clutch Retainer
23	Case – Differential	57	Wheel Bearing Lockwasher	88	Flange Half – Differential Case
24	Bolt – Drive Gear	58	Wheel Bearing Nut	89	Cap Half – Differential Case
25	Pinion – Differential	59	Lockwasher – Wheel Brg Nut	90	Shaft – Differential
26	Gear – Differential	60	Drive Flange Gasket	91	Pinion – Differential
27	Thrustwasher – Diff. Pinion	61	Axle Drive Flange	92	Gear – Differential
28	Thrustwasher – Diff. Gear	62	Snap Ring	93	Ring – Differential Gear
29	Shaft – Differential Pinion	63	Hub Cap	94	Plate – Differential
30	Lock – Differential Shaft	64	Nut	95	Disc – Differential
31	Seal & Guide Tube	65	Lockwasher	96	Disc – Differential (dished)
32	Nut - Hex Slotted	66	Stud	97	Plate – Differential (dished)
33	Cotter Pin	67	Hub Cap	98	Bolt – Differential Case
34	Adjusting Split Ring				

(1) Contact Vehicle Manufacturer

(2) See Spicer Driveline Catalog J300P Section 10

Check availability on all Powr-Lok parts before ordering

Dodge Model 44 Front Axles

Bill of Material Table

Axle			Axle Kits				Shaft & Joint Assy.	
Bill of Material	Diff. Type	Ratio	Ring Gear & Pinion Kit ⁽⁷⁾	Differential			Right Hand Shaft Assy.	Left Hand Shaft Assy.
				Case Assy. Kit ⁽⁸⁾	Case Kit	Inner Parts Kit		
1969-70 W100 Pick-up, Ramcharger & Trail Duster								
603102-1	Standard	3.54	706613-4X	706614X	706615X	706616X	206032-7	206032-8
603102-2	Standard	4.09	706613-5X	706695X	706696X	706616X	206032-7	206032-8
603102-3	Powr-Lok	4.09	706613-5X	25596X	23436X	— ⁽⁹⁾	206032-7	206032-8
1970 1/2-71 W100 Pick-up, Ramcharger & Trail Duster								
603171-1	Standard	3.54	706613-4X	706614X	706615X	706616X	206032-7	206032-8
603171-2	Standard	4.09	706613-5X	706695X	706696X	706616X	206032-7	206032-8
603171-4	Standard	4.09	706613-5X	706695X	706696X	706616X	206032-7	206032-8
1971 W100 Pick-up, Ramcharger & Trail Duster								
603278-1	Standard	3.54	706613-4X	706614X	706615X	706616X	206032-7	206032-8
603278-2	Standard	4.09	706613-5X	706695X	706696X	706616X	206032-7	206032-8
603278-3	Trac-Lok	4.09	706613-5X	706658X	706659X	706630X	206032-7	206032-8
603278-4	Standard	3.92	706613-14X	706695X	706696X	706616X	206032-7	206032-8
1971 1/2-72 W100 Pick-up, Ramcharger & Trail Duster								
603261-1	Standard	4.09	706613-5X	706695X	706696X	706616X	27552-3X	27552-4X
603261-2	Standard	3.54	706613-4X	706614X	706615X	706616X	27552-3X	27552-4X
603261-3	Standard	3.92	706613-14X	706695X	706696X	706616X	27552-3X	27552-4X
603261-4	Trac-Lok	3.92	706613-14X	706658X	706659X	706630X	27552-3X	27552-4X
603261-5	Trac-Lok	3.54	706613-4X	706628X	706629X	706630X	27552-3X	27552-4X
1972 1/2-74 W100 Pick-up, Ramcharger & Trail Duster								
603413-2	Standard	3.54	706613-4X	706614X	706615X	706616X	28037-3X	28037-4X
603413-3	Standard	3.92	706613-14X	706695X	706696X	706616X	28037-3X	28037-4X
603413-5	Trac-Lok	3.54	706613-4X	706628X	706629X	706630X	28037-3X	28037-4X
1975-76 W100 Pick-up, Ramcharger & Trail Duster								
603572-1	Standard	3.54	706613-4X	706614X	706615X	706616X	28478-1X	28478-2X
603572-2	Standard	3.92	706613-14X	706695X	706696X	706616X	28478-1X	28478-2X
603572-5	Standard	3.23	706613-3X	706614X	706615X	706616X	28478-1X	28478-2X
603572-6	Standard	3.54	706613-4X	706614X	706615X	706616X	28478-1X	28478-2X
603572-7	Standard	3.92	706613-14X	706695X	706696X	706616X	28478-1X	28478-2X
603572-8	Standard	3.23	706613-3X	706614X	706615X	706616X	28478-1X	28478-2X
1977 W100 Pick-up, Ramcharger & Trail Duster								
603790-1	Standard	3.23	706613-3X	706614X	706615X	706616X	28478-1X	28478-2X
603790-2	Standard	3.54	706613-4X	706614X	706615X	706616X	28478-1X	28478-2X
603790-7	Standard	3.92	706613-14X	706695X	706696X	706616X	28478-1X	28478-2X
1977 1/2-78 W100 Pick-up, Ramcharger & Trail Duster								
610027-1	Standard	3.23	706613-3X	706614X	706615X	706616X	28478-1X	28478-2X
610027-2	Standard	3.54	706613-4X	706614X	706615X	706616X	28478-1X	28478-2X
610027-7	Standard	3.92	706613-14X	706695X	706696X	706616X	28478-1X	28478-2X
1967-68 W100, W200 Pick-up								
602697-1	Standard	4.09	706613-5X	23583X	18458	18295X	202819-5	202819-4
602697-2	Standard	4.89	706613-13X	23583X	18458	18295X	202819-5	202819-4
602697-3	Powr-Lok	4.09	706613-5X	23289X	21258X	— ⁽⁹⁾	202819-5	202819-4
602697-5	Standard	4.09	706613-5X	23583X	18458	18295X	202819-5	202819-4
602697-6	Standard	4.89	706613-13X	23583X	18458	18295X	202819-5	202819-4
602697-7	Powr-Lok	4.09	706613-5X	23289X	21258X	— ⁽⁹⁾	202819-5	202819-4
602697-10	Standard	4.09	706613-5X	23583X	18458	18295X	202819-5	202819-4
602697-11	Standard	4.89	706613-13X	23583X	18458	18295X	202819-5	202819-4

Continued on next page

(7) See Ring Gear & Pinion Kits in XGI Catalog for ratio & tooth combinations.

(8) See Differential Case Assy Kits in XGI Catalog for spline data & ratios.

(9) Use Internal Parts from Case Assembly

Dodge Model 44 Front Axles

Bill of Material Table

Axle			Axle Kits				Shaft & Joint Assy.	
Bill of Material	Diff. Type	Ratio	Ring Gear & Pinion Kit ⁽⁷⁾	Differential			Right Hand Shaft Assy.	Left Hand Shaft Assy.
				Case Assy. Kit ⁽⁸⁾	Case Kit	Inner Parts Kit		
1967-68 W100, W200 Pick-up Continued								
602697-12	Standard	4.89	706613-13X	23583X	18458	18295X	202819-5	202819-4
602697-13	Standard	4.09	706613-5X	23583X	18458	18295X	202819-5	202819-4
602697-14	Standard	3.54	706613-4X	26142X	18422	18295X	202819-5	202819-4
602697-16	Powr-Lok	3.54	706613-4X	23344X	21251X	21346X	202819-5	202819-4
1969-70 W200 Pick-up								
603103-1	Standard	3.54	706613-4X	706614X	706615X	706616X	903213-1	903213-2
603103-2	Standard	4.09	706613-5X	706695X	706696X	706616X	903213-1	903213-2
603103-3	Standard	4.89	706613-13X	706695X	706696X	706616X	903213-1	903213-2
603103-4	Powr-Lok	4.09	706613-5X	25596X	23436X	— ⁽⁹⁾	903213-1	903213-2
1970 1/2-71 W200 Pick-up								
603172-1	Standard	3.54	706613-4X	706614X	706615X	706616X	903213-1	903213-2
603172-2	Standard	4.09	706613-5X	706695X	706696X	706616X	903213-1	903213-2
603172-3	Standard	4.89	706613-13X	706695X	706696X	706616X	903213-1	903213-2
603172-5	Trac-Lok	4.09	706613-5X	706658X	706659X	706630X	903213-1	903213-2
1971-73 W200 Pick-up								
603260-1	Standard	3.54	706613-4X	706614X	706615X	706616X	27607-1X	27607-2X
603260-2	Standard	4.09	706613-5X	706695X	706696X	706616X	27607-1X	27607-2X
603260-3	Standard	4.55	706613-8X	706695X	706696X	706616X	27607-1X	27607-2X
603260-4	Standard	4.55	706613-8X	706695X	706696X	706616X	27607-1X	27607-2X
603260-5	Trac-Lok	4.09	706613-5X	706658X	706659X	706630X	27607-1X	27607-2X
603260-6	Standard	4.09	706613-5X	706695X	706696X	706616X	27607-1X	27607-2X
1971 1/2-74 W200 Pick-up								
603412-2	Standard	4.09	706613-5X	706695X	706696X	706616X	28173-1X	28173-2X
603412-3	Standard	4.55	706613-8X	706695X	706696X	706616X	28173-1X	28173-2X
603412-4	Standard	4.55	706613-8X	706695X	706696X	706616X	28173-1X	28173-2X
1974 1/2-76 W200 Pick-up								
603459-1	Standard	4.09	706613-5X	706695X	706696X	706616X	28478-3X	28478-4X
603459-2	Standard	4.09	706613-5X	706695X	706696X	706616X	28478-3X	28478-4X
1977 W200 Pick-up								
603791-1	Standard	4.09	706613-5X	706695X	706696X	706616X	28478-3X	28478-4X
1977 1/2-78 W200 Pick-up								
610028-1	Standard	4.09	706613-5X	706695X	706696X	706616X	28478-3X	28478-4X
610028-2	Standard	3.54	706613-4X	706614X	706615X	706616X	28478-3X	28478-4X
1967-68 W200 Heavy Duty Pick-up								
602550-1	Standard	4.09	706613-5X	23583X	18458	18295X	202819-5	202819-4
602550-2	Standard	4.89	706613-13X	23583X	18458	18295X	202819-5	202819-4
602550-3	Powr-Lok	4.09	706613-5X	23289X	21258X	— ⁽⁹⁾	202819-5	202819-4
602550-4	Powr-Lok	4.89	706613-13X	23289X	21258X	— ⁽⁹⁾	202819-5	202819-4
602550-5	Standard	4.09	706613-5X	23583X	18458	18295X	202819-5	202819-4
602550-6	Standard	4.89	706613-13X	23583X	18458	18295X	202819-5	202819-4
602550-7	Powr-Lok	4.09	706613-5X	23289X	21258X	— ⁽⁹⁾	202819-5	202819-4
602550-9	Standard	4.09	706613-5X	23583X	18458	18295X	202819-5	202819-4
602550-10	Standard	4.89	706613-13X	23583X	18458	18295X	202819-5	202819-4
602550-11	Standard	4.09	706613-5X	23583X	18458	18295X	202819-5	202819-4
602550-12	Standard	4.89	706613-13X	23583X	18458	18295X	202819-5	202819-4
602550-13	Powr-Lok	4.09	706613-5X	23289X	21258X	— ⁽⁹⁾	202819-5	202819-4
602550-14	Standard	4.89	706613-13X	23583X	18458	18295X	202819-5	202819-4
602550-15	Standard	4.09	706613-5X	23583X	18458	18295X	202819-5	202819-4

(7) See Ring Gear & Pinion Kits in XGI Catalog for ratio & tooth combinations.

(8) See Differential Case Assy Kits in XGI Catalog for spline data & ratios.

(9) Use Internal Parts from Case Assembly

Dodge Model 44 Front Axles

Bill of Material Table

Axle			Axle Kits				Shaft & Joint Assy.	
Bill of Material	Diff. Type	Ratio	Ring Gear & Pinion Kit ⁽⁷⁾	Differential			Right Hand Shaft Assy.	Left Hand Shaft Assy.
				Case Assy. Kit ⁽⁸⁾	Case Kit	Inner Parts Kit		
1969-70 W200 Heavy Duty Pick-up								
603104-1	Standard	4.09	706613-5X	706695X	706696X	706616X	903212-1	903212-2
603104-2	Standard	4.89	706613-13X	706695X	706696X	706616X	903212-1	903212-2
603104-3	Powr-Lok	4.09	706613-5X	25596X	23436X	— ⁽⁹⁾	903212-1	903212-2
603104-4	Standard	4.09	706613-5X	706695X	706696X	706616X	903212-1	903212-2
1970 1/2-72 W200 Heavy Duty Pick-up								
603173-1	Standard	4.09	706613-5X	706695X	706696X	706616X	27607-1X	27607-2X
603173-2	Standard	4.89	706613-13X	706695X	706696X	706616X	27607-1X	27607-2X
603173-4	Standard	4.89	706613-13X	706695X	706696X	706616X	27607-1X	27607-2X
603173-5	Standard	4.09	706613-5X	706695X	706696X	706616X	27607-1X	27607-2X
603173-6	Trac-Lok	4.09	706613-5X	706658X	706659X	706630X	27607-1X	27607-2X
603173-7	Standard	3.54	706613-4X	706614X	706615X	706616X	27607-1X	27607-2X
1977-78 W200 Dead Front								
610029								

(7) See Ring Gear & Pinion Kits in XGI Catalog for ratio & tooth combinations.

(8) See Differential Case Assy Kits in XGI Catalog for spline data & ratios.

(9) Use Internal Parts from Case Assembly

Axle Shaft Dimensions

Complete Assembly Number	Inner Shaft - Side Gear End			Outer Shaft - Spline End			Axle Shaft & Joint Assembly		
	Major Spline Diameter	Centerline to End of Spline	Yoke Shaft Part Number	Major Spline Diameter	Centerline to End of Spline	Yoke Shaft Part Number	Side	Overall Length	Cross & Bearing Kit
202819-4	1 1/4" -19	36"	27659-2X	1 1/4" -19	8 5/8"	2-82-181	Left	44 5/8"	5-74X
202819-5	1 1/4" -19	18 11/16"	27659-3X	1 1/4" -19	8 5/8"	2-82-181	Right	27 5/16"	5-74X
206032-7	1 5/16" -30	18 1/2"	27656-7X	1 1/4" -19	9 17/32"	660118-1	Right	28 1/32"	5-74X
206032-8	1 5/16" -30	36 31/32"	27656-8X	1 1/4" -19	9 17/32"	660118-1	Left	46 1/2"	5-74X
27522-3X	1 5/16" -30	18 5/16"	27533-5X	1 1/4" -19	9 23/32"	36335	Right	28 1/32"	5-260X
27522-4X	1 5/16" -30	36 25/32"	27533-6X	1 1/4" -19	9 23/32"	36335	Left	46 1/2"	5-260X
27607-1X	1 5/16" -30	17 49/64"	27533-3X	1 1/4" -19	8 51/64"	36281	Right	26 9/16"	5-260X
27607-2X	1 5/16" -30	36 1/4"	27533-4X	1 1/4" -19	8 51/64"	36281	Left	45 1/16"	5-260X
28037-3X	1 5/16" -30	18 5/16"	27902-11X	1 1/4" -19	9 23/32"	36503	Right	28 1/32"	5-297X
28037-4X	1 5/16" -30	36 28/32"	27902-12X	1 1/4" -19	9 23/32"	36503	Left	46 1/2"	5-297X
28173-1X	1 5/16" -30	17 3/4"	27902-9X	1 1/4" -19	8 51/64"	36666	Right	26 9/16"	5-297X
28173-2X	1 5/16" -30	36 1/4"	27902-10X	1 1/4" -19	8 51/64"	36666	Left	45 1/16"	5-297X
28478-1X	1 5/16" -30	16 29/32"	27902-5X	1 1/2" -35	6 19/32"	36990	Right	23 31/64"	5-297X
28478-2X	1 5/16" -30	37 3/32"	27902-18X	1 1/2" -35	6 19/32"	36990	Left	43 11/16"	5-297X
28478-3X	1 5/16" -30	16 7/64"	27902-25X	1 1/2" -35	6 19/32"	36990	Right	22 11/16"	5-297X
28478-4X	1 5/16" -30	36 1/2"	27902-8X	1 1/2" -35	6 19/32"	36990	Left	43 3/32"	5-297X
903212-1	1 5/16" -30	18 15/32"	3-82-471-5	1 1/4" -19	9 5/32"	3-82-431	Right	27 5/8"	5-86X
903212-2	1 5/16" -30	36 31/32"	3-82-471-6	1 1/4" -19	9 5/32"	3-82-431	Left	46 1/8"	5-86X
903213-1	1 5/16" -30	18 15/32"	2-82-551-9	1 1/4" -19	8 5/8"	2-82-181	Right	27 3/32"	5-74X
903213-2	1 5/16" -30	36 31/32"	2-82-551-10	1 1/4" -19	8 5/8"	2-82-181	Left	45 19/32"	5-74X

Dodge Model 44 Front Axles Axle Kits - Use with All Applications

Description & Item Number (Refer to "Exploded View" at the front of this section)		Bills of Material				
		602550	602697	603102	603103	603104
Inner Pinion Bearing Kit	4	706031X	706031X	706031X	706031X	706031X
Pinion & Bearing Adjusting Shim (inc. items 5, 7, 12, 13, 16)		706617X	706617X	706617X	706617X	706617X
Differential & Pinion Shim (inc. items 5, 7, 12, 13, 16, 22)		706619X	706619X	706619X	706619X	706619X
Outer Pinion Bearing	8	706030X	706030X	706030X	706030X	706030X
Carrier Cover (inc. 15, 16, 17, 18)		706154X	706154X	706154X	706154X	706154X
Differential Bearing Adj. Shim (16, 22)		706618X	706618X	706618X	706618X	706618X
Differential Bearing	21	706032X	706032X	706032X	706032X	706032X
Steering Knuckle Assembly - RH (inc. items 32, 33, 34, 36, 41)		32460	706408X	706408X	— ⁽³⁾	32460
Steering Knuckle Assembly - LH	N.I.	32461	— ⁽³⁾	— ⁽³⁾	— ⁽³⁾	32461
Socket Assy (32,33,34,35,36,37,38)		—	—	—	—	—
Upper		35184	32413	32413	32413	35184
Lower		35183	30354	30354	30354	35183
Steering Arm	N.I.	22814X	23761X	23761X	23761X	22814X
Wheel Spindle Seal & Bearing (inc. items 47, 48, 49, 50)		—	—	—	—	—
Wheel Bearing Spindle (inc. items 47, 48, 49, 50, 51 or 78)		23167X	22210X	22137X	26288X	26288X
Inner Wheel Bearing	54/76	706216X	706216X	706110X	706217X	706217X
Cup		—	—	—	—	—
Cone		—	—	—	—	—
Outer Wheel Bearing	56/74	706216X	706216X	706111X	706216X	706216X
Cup		—	—	—	—	—
Cone		—	—	—	—	—
		603171 603278	603172	603173	603260	603261
Inner Pinion Bearing Kit	4	706031X	706031X	706031X	706031X	706031X
Pinion & Bearing Adjusting Shim (inc. items 5, 7, 12, 13, 16)		706617X	706617X	706617X	706617X	706617X
Differential & Pinion Shim (inc. items 5, 7, 12, 13, 16, 22)		706619X	706619X	706619X	706619X	706619X
Outer Pinion Bearing	8	706030X	706030X	706030X	706030X	706030X
Carrier Cover (inc. 15, 16, 17, 18)		706183X	706183X	706183X	706183X	706183X
Differential Bearing Adj. Shim (16, 22)		706618X	706618X	706618X	706618X	706618X
Differential Bearing	21	706032X	706032X	706032X	706032X	706032X
Steering Knuckle Assembly - RH (inc. items 32, 33, 34, 36, 41)		706408X	— ⁽³⁾	— ⁽³⁾	706349X	706268X
Steering Knuckle Assembly - LH	N.I.	706409X	— ⁽³⁾	27829X	706350X	706269X
Socket Assy (32,33,34,35,36,37,38)		30354	30354	35183	706116X	706116X
Upper		—	—	—	—	—
Lower		—	—	—	—	—
Steering Arm	N.I.	706410X	—	—	706272X	706272X
Wheel Spindle Seal & Bearing (inc. items 47, 48, 49, 50)		—	—	—	706282X	706282X
Wheel Bearing Spindle (inc. items 47, 48, 49, 50, 51 or 78)		22137X	26288X	26288X	706544X	— ⁽³⁾
Inner Wheel Bearing	54/76	706110X	706217X	706217X	706217X	706110X
Cup		—	—	—	—	—
Cone		—	—	—	—	—
Outer Wheel Bearing	56/74	706111X	706216X	706216X	706216X	706111X
Cup		—	—	—	—	—
Cone		—	—	—	—	—

(3) Contact Vehicle Manufacturer

Dodge Model 44 Front Axles

Axle Kits - Use with All Applications

Description & Item Number (Refer to "Exploded View" at the front of this section)		Bills of Material				
		603412	603413	603459	603572	603790 610027
Inner Pinion Bearing Kit	4	706031X	706031X	706031X	706031X	706031X
Pinion & Bearing Adjusting Shim (inc. items 5, 7, 12, 13, 16)		706617X	706617X	706617X	706617X	706617X
Differential & Pinion Shim (inc. items 5, 7, 12, 13, 16, 22)		706619X	706619X	706619X	706619X	706619X
Outer Pinion Bearing	8	706030X	706030X	706030X	706030X	706030X
Carrier Cover (inc. 15, 16, 17, 18)		706183X	706183X	706183X	706183X	706183X
Differential Bearing Adj. Shim (16, 22)		706618X	706618X	706618X	706618X	706618X
Differential Bearing	21	706032X	706032X	706032X	706032X	706032X
Steering Knuckle Assembly - RH (inc. items 32, 33, 34, 36, 41)		706349X	706268X	706187X	706189X	706473X
Steering Knuckle Assembly - LH	N.I.	706350X	706269X	706188X	706394X	706474X
Socket Assy (32,33,34,35,36,37,38)		706116X	706116X	706116X	706116X	706116X
Upper		—	—	—	—	—
Lower		—	—	—	—	—
Steering Arm	N.I.	706272X	706272X	706184X	706184X	706184X
Wheel Spindle Seal & Bearing (inc. items 47, 48, 49, 50)		706527X	706527X	706555X	706555X	
Wheel Bearing Spindle (inc. items 47, 48, 49, 50, 51 or 74)		706559X	706560X	—	—	—
Inner Wheel Bearing	54/76	706217X	706110X	—	—	565963
Cup		—	—	565939	565939	—
Cone		—	—	535940	535940	—
Outer Wheel Bearing	56/74	706216X	706111X	—	—	565963
Cup		—	—	565939	565939	—
Cone		—	—	535940	535940	—
		603791	610028	610029		
Inner Pinion Bearing Kit	4	706031X	706031X	—		
Pinion & Bearing Adjusting Shim (inc. items 5, 7, 12, 13, 16)		706617X	706617X	—		
Differential & Pinion Shim (inc. items 5, 7, 12, 13, 16, 22)		706619X	706619X	—		
Outer Pinion Bearing	8	706030X	706030X	—		
Carrier Cover (inc. 15, 16, 17, 18)		706183X	706183X	—		
Differential Bearing Adj. Shim (16, 22)		706618X	706618X	—		
Differential Bearing	21	706032X	706032X	—		
Steering Knuckle Assembly - RH (inc. items 32, 33, 34, 36, 41)		706485X	706485X	706485X		
Steering Knuckle Assembly - LH	N.I.	706486X	706486X	700008		
Socket Assy (32,33,34,35,36,37,38)		706116X	706116X	706116X		
Upper		—	—	—		
Lower		—	—	—		
Steering Arm	N.I.	706184X	706184X	700009		
Wheel Spindle Seal & Bearing (inc. items 47, 48, 49, 50)		706555X	706555X	706555X		
Wheel Bearing Spindle (inc. items 47, 48, 49, 50, 51 or 74)		—	—	—		
Inner Wheel Bearing	54/76	565963	565963	—		
Cup		—	—	—		
Cone		—	—	—		
Outer Wheel Bearing	56/74	565963	565963	—		
Cup		—	—	—		
Cone		—	—	—		

(3) Contact Vehicle Manufacturer

Dodge Model 44 Front Axles

Miscellaneous Small Parts- Use with All Applications

Description & Item Number (Refer to "Exploded View" at the front of this section)		Bills of Material				
		602550	602697	603102 603191 603278	603103 603172	603104 603173
Seal & Guide Tube	31	36352	36352	—	—	—
Seal		—	—	32542-1	32542-1	32542-1
Guide		—	—	30703	30703	30703
Stop Screw	39	30902	31026-1	31026-1	31026-1	30902
LH		—	—	—	—	—
RH		—	—	—	—	—
Jam Nut	40	500381-3	500381-3	500381-3	500381-3	500381-3
Oil Seal	47	—	—	—	—	—
Spacer - Wheel Bearing Spindle	48	—	—	—	—	—
Oil Seal - Block Vee	49	—	—	—	—	—
Needle Bearing Assembly	50	30339	30339	30339	30339	30339
Nut - Brake Mounting	52	— ⁽³⁾	— ⁽³⁾	35142	35142	35142
Oil Seal	53	30348	30348	—	30348	30348
Wheel Hub	55	— ⁽³⁾	— ⁽³⁾	—	— ⁽³⁾	— ⁽³⁾
Lockwasher-Wheel Bearing	57	30342	30342	—	30342	30342
Nut-Wheel Bearing	58	30350	30350	—	30350	30350
Lockwasher-Wheel Bearing Nut	59	30343	30343	—	30343	30343
Gasket-Drive Flange	60	30344	30344	—	30344	30344
Flange-Axle Drive	61	30340	30340	—	30340	30340
Snap Ring	62	31624	31624	31624	31624	31624
Hub Cap	63	17071	17071	—	17071	17071
Nut	64	500371-3	500371-3	—	500371-3	500371-3
Lockwasher	65	501209-3	501209-3	—	501209-3	501209-3
Stud	66	31017	31017	—	31017	31017
Hub Cap	67	—	—	31152	—	—
Axle Drive Gear	68	—	—	31125	—	—
Pressure Spring	69	—	—	35218	—	—
Plate-Spring Retaining	70	—	—	32589	—	—
Wheel Bearing Adjusting Nut	71	—	—	31139	—	—
Retaining Lock Nut	72	—	—	36569	—	—
Nut & Pin Assembly-Inner Lock	73	—	—	31139	—	—
Wheel Hub	75	—	—	— ⁽³⁾	—	—
Oil Seal	77	—	—	34611	—	—
Hub Lock Assembly	N.I.	27369-3X	—	26133-3X	27369-3X	27369-3X

(3) Contact Vehicle Manufacturer

(8) Live Spindle Type - Not Illustrated

Dodge Model 44 Front Axles Miscellaneous Small Parts

Description & Item Number (Refer to "Exploded View" at the front of this section)		Bills of Material				
		603260	603261	603412	603413	603459 603572 603791
Seal & Guide Tube	31	—	—	36352	36352	36352
Seal		32542-1	32542-1	—	—	—
Guide		30703	30703	—	—	—
Stop Screw	39	—	31026-3	—	31026-3	31026-2
LH		31026-3	—	31026-3	—	—
RH		36546	—	36546	—	—
Jam Nut	40	500381-3	500381-3	500381-3	500381-3	500381-3
Oil Seal	47	34783	34783	38128	38128	— ⁽⁸⁾
Spacer - Wheel Bearing Spindle	48	35986	35986	38106	38106	— ⁽⁸⁾
Oil Seal - Block Vee	49	—	—	36361	36361	— ⁽⁸⁾
Needle Bearing Assembly	50	550759	550759	550759	550759	— ⁽⁸⁾
Nut - Brake Mounting	52	34180	34180	34180	34180	— ⁽⁸⁾
Oil Seal	53	30348	—	30348	—	— ⁽⁸⁾
Wheel Hub	55	— ⁽³⁾	—	— ⁽³⁾	—	— ⁽⁸⁾
Lockwasher-Wheel Bearing	57	30342	—	30342	—	— ⁽⁸⁾
Nut-Wheel Bearing	58	30350	—	30350	—	— ⁽⁸⁾
Lockwasher-Wheel Bearing Nut	59	30343	—	30343	—	— ⁽⁸⁾
Gasket-Drive Flange	60	30344	—	30344	—	— ⁽⁸⁾
Flange-Axle Drive	61	30340	—	30340	—	— ⁽⁸⁾
Snap Ring	62	31624	31624	31624	31624	— ⁽⁸⁾
Hub Cap	63	32001	—	32001	—	— ⁽⁸⁾
Nut	64	500371-3	—	500371-3	—	— ⁽⁸⁾
Lockwasher	65	501209-3	—	501209-3	—	— ⁽⁸⁾
Stud	66	31017	—	31017	—	— ⁽⁸⁾
Hub Cap	67	—	31152	—	31152	— ⁽⁸⁾
Axle Drive Gear	68	—	31125	—	31125	— ⁽⁸⁾
Pressure Spring	69	—	35218	—	35218	— ⁽⁸⁾
Plate-Spring Retaining	70	—	32589	—	32589	— ⁽⁸⁾
Wheel Bearing Adjusting Nut	71	—	31139	—	31139	— ⁽⁸⁾
Retaining Lock Nut	72	—	36569	—	36569	— ⁽⁸⁾
Nut & Pin Assembly-Inner Lock	73	—	21588X	—	21588X	— ⁽⁸⁾
Wheel Hub	75	—	— ⁽³⁾	—	— ⁽³⁾	— ⁽⁸⁾
Oil Seal	77	—	34611	—	34611	— ⁽⁸⁾
Hub Lock Assembly	N.I.	27369-3X	26133-3X	27369-3X	26133-3X	— ⁽⁸⁾

(3) Contact Vehicle Manufacturer
(8) Live Spindle Type - Not Illustrated

Dodge Model 44 Front Axles

Miscellaneous Small Parts- Use with All Applications

Description & Item Number (Refer to "Exploded View" at the front of this section)		Bills of Material			
		603790	610027	610028	610029
Seal & Guide Tube	31	36352	660216	660216	—
Seal		—	—	—	—
Guide		—	—	—	—
Stop Screw	39	31026-1	31026-1	31026-2	31026-3
LH		—	—	—	—
RH		—	—	—	—
Jam Nut	40	500381-3	500381-3	500381-3	500381-3
Oil Seal	47	— ⁽⁸⁾	— ⁽⁸⁾	— ⁽⁸⁾	— ⁽⁸⁾
Spacer - Wheel Bearing Spindle	48	— ⁽⁸⁾	— ⁽⁸⁾	— ⁽⁸⁾	— ⁽⁸⁾
Oil Seal - Block Vee	49	— ⁽⁸⁾	— ⁽⁸⁾	— ⁽⁸⁾	— ⁽⁸⁾
Needle Bearing Assembly	50	— ⁽⁸⁾	— ⁽⁸⁾	— ⁽⁸⁾	— ⁽⁸⁾
Nut - Brake Mounting	52	— ⁽⁸⁾	— ⁽⁸⁾	— ⁽⁸⁾	— ⁽⁸⁾
Oil Seal	53	— ⁽⁸⁾	— ⁽⁸⁾	— ⁽⁸⁾	— ⁽⁸⁾
Wheel Hub	55	— ⁽³⁾	—	— ⁽³⁾	— ⁽⁸⁾
Lockwasher-Wheel Bearing	57	— ⁽⁸⁾	— ⁽⁸⁾	— ⁽⁸⁾	— ⁽⁸⁾
Nut-Wheel Bearing	58	— ⁽⁸⁾	— ⁽⁸⁾	— ⁽⁸⁾	— ⁽⁸⁾
Lockwasher-Wheel Bearing Nut	59	— ⁽⁸⁾	— ⁽⁸⁾	— ⁽⁸⁾	— ⁽⁸⁾
Gasket-Drive Flange	60	— ⁽⁸⁾	— ⁽⁸⁾	— ⁽⁸⁾	— ⁽⁸⁾
Flange-Axle Drive	61	— ⁽⁸⁾	— ⁽⁸⁾	— ⁽⁸⁾	— ⁽⁸⁾
Snap Ring	62	— ⁽⁸⁾	— ⁽⁸⁾	— ⁽⁸⁾	— ⁽⁸⁾
Hub Cap	63	— ⁽⁸⁾	— ⁽⁸⁾	— ⁽⁸⁾	— ⁽⁸⁾
Nut	64	— ⁽⁸⁾	— ⁽⁸⁾	— ⁽⁸⁾	— ⁽⁸⁾
Lockwasher	65	— ⁽⁸⁾	— ⁽⁸⁾	— ⁽⁸⁾	— ⁽⁸⁾
Stud	66	— ⁽⁸⁾	— ⁽⁸⁾	— ⁽⁸⁾	— ⁽⁸⁾
Hub Cap	67	— ⁽⁸⁾	— ⁽⁸⁾	— ⁽⁸⁾	— ⁽⁸⁾
Axle Drive Gear	68	— ⁽⁸⁾	— ⁽⁸⁾	— ⁽⁸⁾	— ⁽⁸⁾
Pressure Spring	69	— ⁽⁸⁾	— ⁽⁸⁾	— ⁽⁸⁾	— ⁽⁸⁾
Plate-Spring Retaining	70	— ⁽⁸⁾	— ⁽⁸⁾	— ⁽⁸⁾	— ⁽⁸⁾
Wheel Bearing Adjusting Nut	71	— ⁽⁸⁾	— ⁽⁸⁾	— ⁽⁸⁾	— ⁽⁸⁾
Retaining Lock Nut	72	— ⁽⁸⁾	— ⁽⁸⁾	— ⁽⁸⁾	— ⁽⁸⁾
Nut & Pin Assembly-Inner Lock	73	— ⁽⁸⁾	— ⁽⁸⁾	— ⁽⁸⁾	— ⁽⁸⁾
Wheel Hub	75	— ⁽⁸⁾	— ⁽⁸⁾	— ⁽⁸⁾	— ⁽⁸⁾
Oil Seal	77	— ⁽⁸⁾	— ⁽⁸⁾	— ⁽⁸⁾	— ⁽⁸⁾
Hub Lock Assembly	N.I.	— ⁽⁸⁾	— ⁽⁸⁾	— ⁽⁸⁾	— ⁽⁸⁾

(3) Contact Vehicle Manufacturer

(8) Live Spindle Type - Not Illustrated

Dodge Model 44 Front Axles Kit Components

ITEM NO.	DESCRIPTION	ITEM NO.	DESCRIPTION	ITEM NO.	DESCRIPTION
Drive Pinion & Gear Assembly		Differential Case Assembly (Trac-Lok)		Differential Parts (Powr-Lok)	
2	Drive Pinion & Gear Assembly	16	Carrier Cover Gasket / Sealant	16	Carrier Cover Gasket / Sealant
3	Slinger – Inner Pinion Bearing	21	KIT – Differential Bearing	90	Shaft – Differential
4	KIT – Inner Pinion Bearing	22	Shim – Differential Bearing	91	Pinion – Differential
5	Inner Pinion Shims	24	Bolt – Drive Gear (qty 10)	92	Gear – Differential
6	Baffle – Pinion Bearing	25	Pinion – Differential	93	Ring – Differential Gear
7	Outer Pinion Shims	27	Thrustwasher – Diff. Pinion	94	Plate – Differential
8	KIT – Outer Pinion Bearing	79	Case – Differential	95	Disc – Differential
9	Slinger – Outer Pinion Bearing	80	Gear – Differential	96	Disc – Differential (dished)
10	Seal – Pinion Oil	81	Shaft – Differential	97	Plate – Differential (dished)
12	Washer – Pinion Nut	82	Snap Ring		
13	Pinion Nut	83	Spacer – Diff. Gear (dished)	Differential Parts (Trac-Lok)	
16	Carrier Cover Gasket / Sealant	84	Plate – Differential	16	Carrier Cover Gasket / Sealant
22	Shim – Differential Bearing	85	Disc – Differential	24	Bolt – Drive Gear (qty 10)
24	Bolt – Drive Gear (qty 10)	86	Plate – Differential	25	Pinion – Differential
		87	Clip – Diff. Clutch Retainer	27	Thrustwasher – Diff. Pinion
Differential Case Assembly (standard)		Differential Case (standard)		80	Gear – Differential
16	Carrier Cover Gasket / Sealant	16	Carrier Cover Gasket / Sealant	81	Shaft – Differential
21	KIT – Differential Bearing	22	Shim – Differential Bearing	82	Snap Ring
22	Shim – Differential Bearing	23	Case – Differential	83	Spacer – Diff. Gear (dished)
23	Case – Differential	24	Bolt – Drive Gear (qty 10)	84	Plate – Differential
24	Bolt – Drive Gear (qty 10)	30	Lock – Differential Shaft	85	Disc – Differential
25	Pinion – Differential			86	Plate – Differential
26	Gear – Differential	Differential Case (Powr-Lok)		87	Clip – Diff. Clutch Retainer
27	Thrustwasher – Diff. Pinion	16	Carrier Cover Gasket / Sealant		
28	Thrustwasher – Diff. Gear	22	Shim – Differential Bearing		
29	Shaft – Differential Pinion	24	Bolt – Drive Gear (qty 10)		
30	Lock – Differential Shaft	88	Flange Half – Differential Case		
		89	Cap Half – Differential Case		
		98	Bolt – Differential Case		
Differential Case Assembly (Powr-Lok)		Differential Case (Trac-Lok)			
16	Carrier Cover Gasket / Sealant	16	Carrier Cover Gasket / Sealant		
21	KIT – Differential Bearing	22	Shim – Differential Bearing		
22	Shim – Differential Bearing	24	Bolt – Drive Gear (qty 10)		
24	Bolt – Drive Gear (qty 10)	79	Case – Differential		
88	Flange Half – Differential Case	82	Snap Ring		
89	Cap Half – Differential Case				
90	Shaft – Differential	Differential Parts (standard)			
91	Pinion – Differential	16	Carrier Cover Gasket / Sealant		
92	Gear – Differential	24	Bolt – Drive Gear (qty 10)		
93	Ring – Differential Gear	25	Pinion – Differential		
94	Plate – Differential	26	Gear – Differential		
95	Disc – Differential	27	Thrustwasher – Diff. Pinion		
96	Disc – Differential (dished)	28	Thrustwasher – Diff. Gear		
97	Plate – Differential (dished)	29	Shaft – Differential Pinion		
98	Bolt – Differential Case	30	Lock – Differential Shaft		

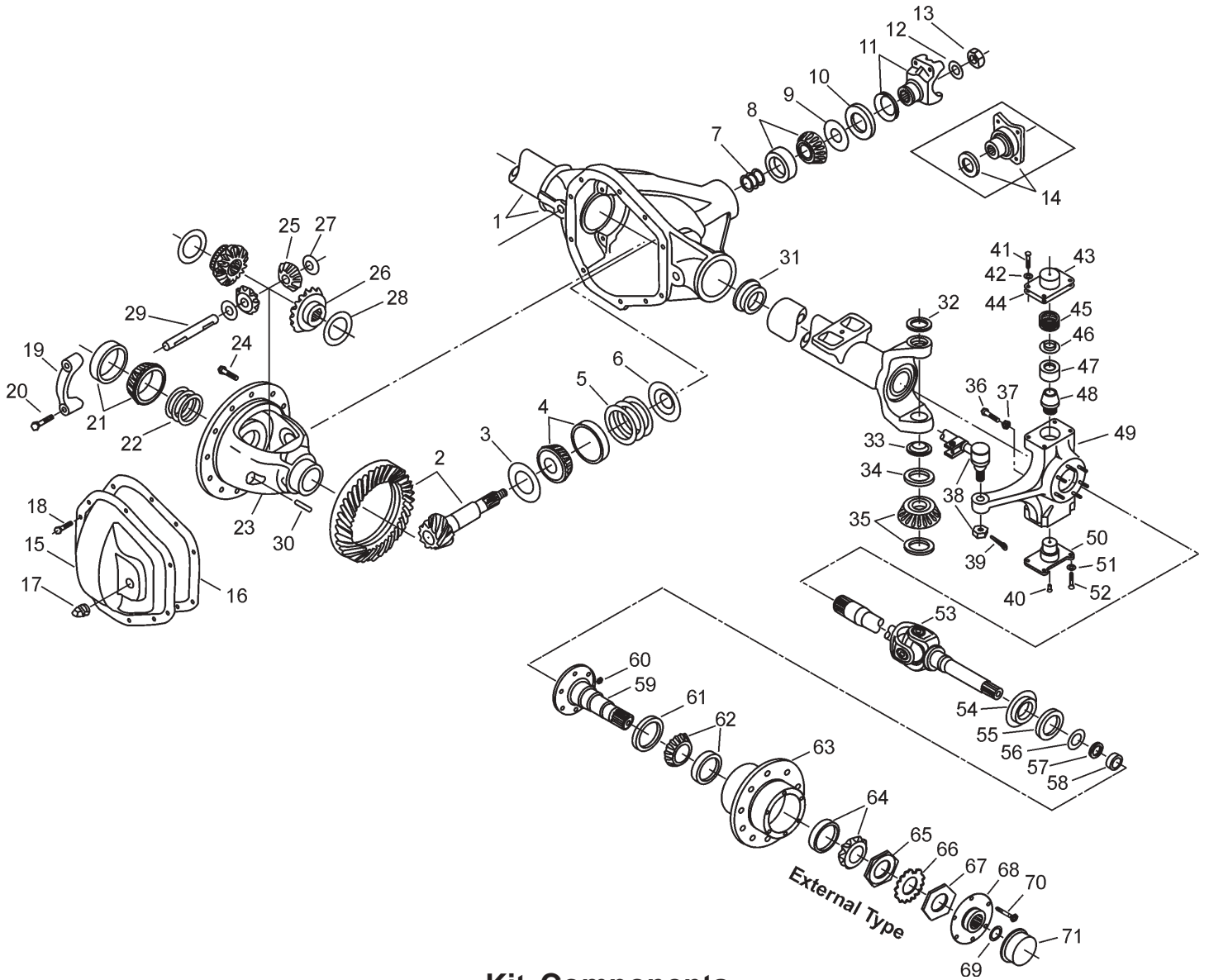
When replacing Carrier Cover Gasket, replace with same type originally used. RTV tube gasket recommended for use on flat flange type cover. Paper or cork gasket recommended for use on ribbed flange cover.

Dodge / Chrysler 1975-1978

Model 60 Front Axles for

W200 & W300 Heavy Duty Pick-up

Dodge Model 60 Front Axles Exploded View



Kit Components

ITEM NO.	DESCRIPTION	ITEM NO.	DESCRIPTION	ITEM NO.	DESCRIPTION
Drive Pinion & Gear Assembly		Differential Case Assembly (standard)		Differential Case (standard)	
2	Drive Pinion & Gear Assembly	16	Carrier Cover Gasket / Sealant	16	Carrier Cover Gasket / Sealant
3	Slinger – Inner Pinion Bearing	21	KIT – Differential Bearing	22	Shim – Differential Bearing
4	KIT – Inner Pinion Bearing	22	Shim – Differential Bearing	23	Case – Differential
5	Inner Pinion Shims	23	Case – Differential	24	Bolt – Drive Gear
6	Baffle – Pinion Bearing	24	Bolt – Drive Gear	30	Lock – Differential Shaft
7	Outer Pinion Shims	25	Pinion – Differential		
8	KIT – Outer Pinion Bearing	26	Gear – Differential	Differential Parts (standard)	
9	Slinger – Outer Pinion Bearing	27	Thrustwasher – Diff. Pinion	16	Carrier Cover Gasket / Sealant
10	Seal – Pinion Oil	28	Thrustwasher – Diff. Gear	24	Bolt – Drive Gear
12	Washer – Pinion Nut	29	Shaft – Differential Pinion	25	Pinion – Differential
13	Pinion Nut	30	Lock – Differential Shaft	26	Gear – Differential
16	Carrier Cover Gasket / Sealant			27	Thrustwasher – Diff. Pinion
22	Shim – Differential Bearing			28	Thrustwasher – Diff. Gear
24	Bolt – Drive Gear			29	Shaft – Differential Pinion
				30	Lock – Differential Shaft

When replacing Carrier Cover Gasket, replace with same type originally used. RTV tube gasket recommended for use on flat flange type cover. Paper or cork gasket recommended for use on ribbed flange cover.

Dodge Model 60 Front Axles Parts Listing

ITEM NO.	PART IDENTIFICATION	ITEM NO.	PART IDENTIFICATION	ITEM NO.	PART IDENTIFICATION
1 ⁽¹⁾	Housing – Axle Service	26	Gear – Differential	50	Lower King Pin Bearing Cap
2	Drive Pinion & Gear Assembly	27	Thrustwasher – Diff. Pinion	51	Lockwasher – Lower King Pin Cap
3	Slinger – Inner Pinion Bearing	28	Thrustwasher – Diff. Gear	52	Hex Bolt – Lower King Pin Cap
4	KIT – Inner Pinion Bearing	29	Shaft – Differential Pinion	53	Shaft & Joint Assembly
5	Inner Pinion Shim	30	Lock – Differential Shaft	54	Slinger – Spindle Yoke (pressed on axle shaft if used)
6	Baffle – Pinion Bearing	31	Seal & Guide Tube	55	Oil Seal
7	Outer Pinion Shims	32	Seal – Upper King Pin	56	Spacer – Wheel Bearing Spindle
8	KIT – Outer Pinion Bearing	33	Grease Retainer	57	Oil Seal - Block Vee
9	Slinger – Outer Pinion Bearing	34	Oil Seal	58	Needle Bearing Assembly
10	Seal – Pinion Oil	35	KIT – Lower King Pin Bearing	59	Wheel Bearing Spindle
11 ⁽²⁾	End Yoke Assembly	36	Stop Screw	60	Brake Mounting Nut
12	Washer – Pinion Nut	37	Jam Nut	61	Oil Seal
13	Pinion Nut	38 ⁽¹⁾	Tie Rod Assembly	62	KIT – Inner Wheel Bearing
14 ⁽²⁾	Companion Flange Assembly	39	Cotter Pin	63 ⁽¹⁾	Wheel Hub
15	Carrier Cover	40	Lube Fitting	64	KIT – Outer Wheel Bearing
16	Carrier Cover Gasket / Sealant	41	Nut – Hex Tapered	65	Inner Wheel Bearing Nut
17	Plug – Carrier Cover	42	Lockwasher –Upper King Pin Cap	66	Lock Nut
18	Bolt – Carrier Cover	43	Steering Arm (LH only) Upper King Pin Cap (RH only)	67	Outer Wheel Bearing Nut
19 ⁽¹⁾	Differential Bearing Cap	44	Gasket – King Pin Cap	68	Axle Drive Flange Gasket
20 ⁽¹⁾	Bolt – Differential Bearing Cap	45	Compression Spring	69	Snap Ring
21	KIT – Differential Bearing	46	Retainer Spring	70	Bolt
22	Shim – Differential Bearing	47	King Pin Bushing	71	Hub Cap
23	Case – Differential	48	King Pin		
24	Bolt – Drive Gear	49	Knuckle Assembly		
25	Pinion – Differential				

(1) Contact Vehicle Manufacturer

(2) See Spicer Driveline Catalog J300P Section 10

Check availability on all Powr-Lok parts before ordering

Bill of Material Table

Axle			Axle Kits				Shaft & Joint Assy.	
Bill of Material	Diff. Type	Ratio	Ring Gear & Pinion Kit ⁽⁷⁾	Differential			Right Hand Shaft Assy.	Left Hand Shaft Assy.
				Case Assy. Kit ⁽⁸⁾	Case Kit	Inner Parts Kit		
1975 W200 & W300 (Heavy Duty Pick-up)								
603500-1	Standard	4.10	706660-3X	706180X	706668X	706181X	907967-1	907967-2
603500-2	Standard	4.88	706660-5X	706182X	706669X	706181X	907967-1	907967-2
603500-3	Standard	4.88	706660-5X	706182X	706669X	706181X	907967-1	907967-2
603500-4	Standard	4.10	706660-3X	706180X	706668X	706181X	907967-1	907967-2
603500-5	Standard	4.88	706660-5X	706182X	706669X	706181X	907967-1	907967-2
603500-6	Standard	4.88	706660-5X	706182X	706669X	706181X	907967-1	907967-2
603500-7	Standard	5.86	706660-6X	706182X	706669X	706181X	907967-1	907967-2
1976-78 W200 & W300 (Heavy Duty Pick-up)								
603643-1	Standard	4.10	706660-3X	706180X	706668X	706181X	907967-1	907967-2
603643-2	Standard	4.88	706660-5X	706182X	706669X	706181X	907967-1	907967-2
603643-3	Standard	4.88	706660-5X	706182X	706669X	706181X	907967-1	907967-2
603643-4	Standard	4.10	706660-3X	706180X	706668X	706181X	907967-1	907967-2
603643-5	Standard	4.88	706660-5X	706182X	706669X	706181X	907967-1	907967-2
603643-6	Standard	4.88	706660-5X	706182X	706669X	706181X	907967-1	907967-2
603643-8	Standard	4.10	706660-3X	706180X	706668X	706181X	907967-1	907967-2

(7) See Ring Gear & Pinion Kits in XGI Catalog for ratio & tooth combinations.

(8) See Differential Case Assy Kits in XGI Catalog for spline data & ratios.

Dodge Model 60 Front Axles

Axle Kits & Parts - Use with All Applications

Description & Item Number (Refer to "Exploded View" at the front of this section)		Bills of Material			
		603500	603643		
KIT – Inner Pinion Bearing	4	706046X	706046X		
PKG – Pinion & Bearing Shim (inc. items 5, 7, 12, 13, 16)	—	706672X	706672X		
PKG – Differential & Pinion Shim (inc. items 5, 7, 12, 13, 16, 22)	—	706674X	706674X		
Outer Pinion Bearing	8	706045X	706045X		
Carrier Cover (inc. 15, 16, 17, 18)	—	706078X	706078X		
PKG – Diff. Bearing Shim (16 & 22)	—	706673X	706673X		
Differential Bearing	21	706047X	706047X		
Seal & Guide Tube	31	36487	36487		
Seal – Upper King Pin	32	620058	620058		
KIT – King Pin Parts (inc 33, 34, 35)	N.I.	706395X	706395X		
Stop Screw	36	31026-3	31026-1		
Jam Nut	37	500381-3	500381-3		
Cotter Pin	39	500024-5	500024-5		
Lube Fitting	40	500175-4	500175-4		
Nut – Hex Tapered	41	30875	30875		
Steering Arm (LH only)	43	38521	38521		
Upper King Pin Cap (RH only)		620132	620132		
Gasket – King Pin Cap	44	37307	37307		
Compression Spring	45	37300	37300		
Retainer Spring	46	—	620180		
King Pin Bushing	47	37301	37301		
King Pin	48	37302	37302		
Knuckle Assembly (RH only)	49	28792X	28792X		
Knuckle Assembly (LH only)	N.I.	28793X	28793X		
Lower King Pin Bearing Cap	50	37299	37299		
Lockwasher – Lower King Pin Cap	51	500357-13	500357-13		
Hex Bolt – Lower King Pin Cap	52	500412-12	500412-12		
KIT – Wheel Spindle Seal & Bearing (inc. items 56, 57, 58, 59)	N.I.	700014	700014		
KIT – Wheel Bearing Spindle (58,59,60)	N.I.	700013	700013		
Brake Mounting Nut	60	36880	36880		
Brake Mounting Washer	N.I.	—	38081-1		
Oil Seal	61	37729	37729		
KIT – Inner Wheel Bearing	62	706411X	706411X		
KIT – Outer Wheel Bearing	64	706074X	706074X		
Inner Wheel Bearing Nut	65	35270	35270		
Lock Nut	66	35269	35269		
Outer Wheel Bearing Nut	67	35270	35270		
Axle Drive Flange Gasket	68	37313	37313		
Snap Ring	69	37730	37730		
Bolt	70	37734	37734		
Hub Cap	71	32001	32001		

N.I. - Not Illustrated
RH - Right Hand
LH - Left Hand

Axle Shaft Dimensions

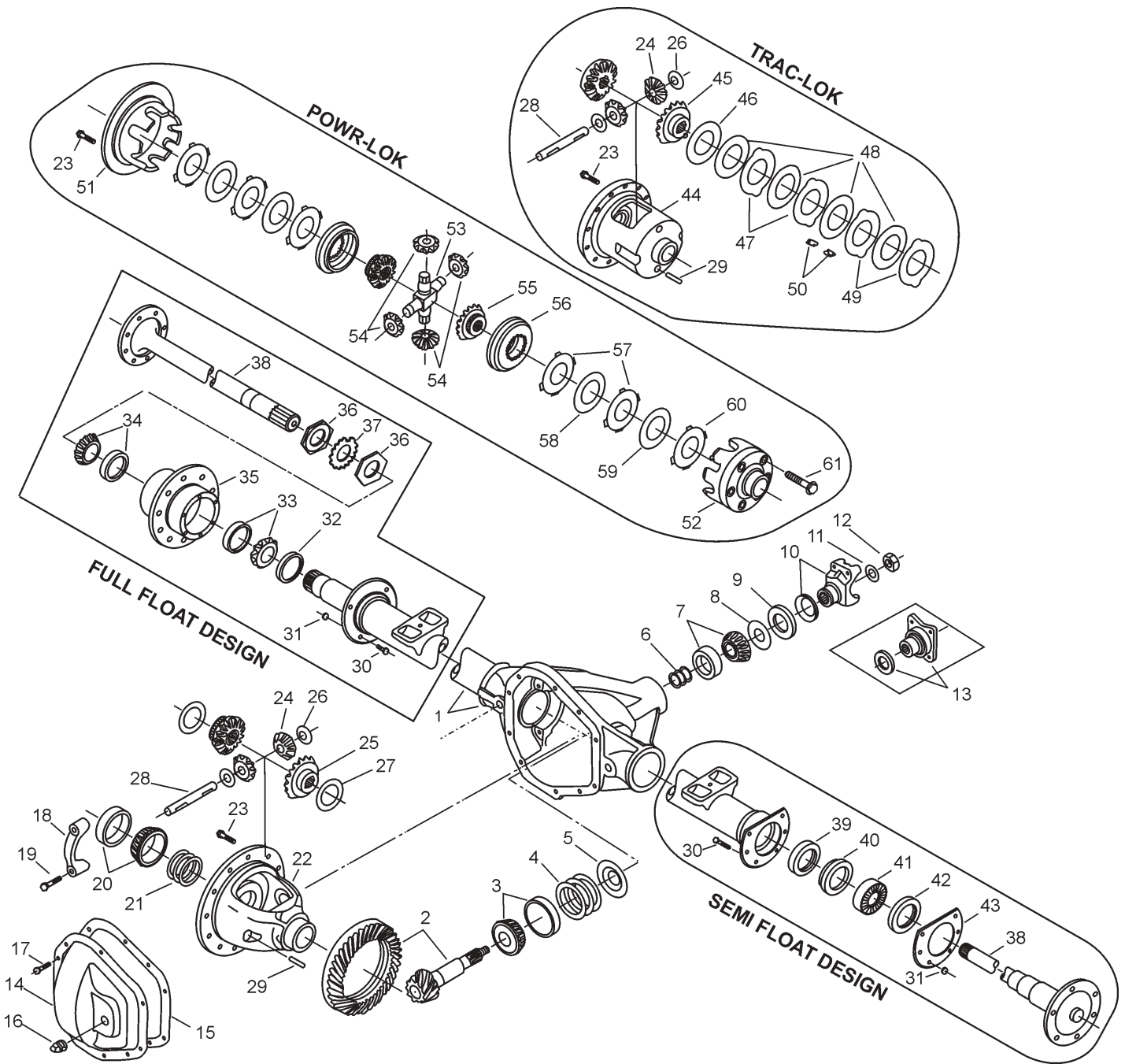
Complete Assembly Number	Inner Shaft - Side Gear End			Outer Shaft - Spline End			Axle Shaft & Joint Assembly		
	Major Spline Diameter	Centerline to End of Spline	Yoke Shaft Part Number	Major Spline Diameter	Centerline to End of Spline	Yoke Shaft Part Number	Side	Overall Length	Cross & Bearing Kit
907967-5	1 1/2" -35	17 43/64"	3-82-801-5	1 5/16" -30	12"	3-82-791	Right	29 43/64"	5-332X
907967-6	1 1/2" -35	35 5/64"	3-82-801-6	1 5/16" -30	12"	3-82-791	Left	47 5/64"	5-332X

Dodge / Chrysler 1967-1978

Model 60 Rear Axles for

**B-Body Chrysler High-Performance
B300 Van, Maxi-Van & Motor Home
CB300 & MB300 Van & Motor Home
D200 & W200 Pick-up & Camper
E-Body Chrysler High-Performance
M300 & RM300 Motor Home
Retail Maintenance**

Dodge Model 60 Rear Axles Exploded View



Dodge Model 60 Rear Axles Parts Listing

ITEM NO.	PART IDENTIFICATION	ITEM NO.	PART IDENTIFICATION	ITEM NO.	PART IDENTIFICATION
1 ⁽¹⁾	Housing – Axle Service	22	Case – Differential		Power-Lok & Trak-Lok Differential
2	Drive Pinion & Gear Assembly	23	Bolt – Drive Gear		
3	KIT – Inner Pinion Bearing	24	Pinion – Differential	44	Case – Differential
4	Shim – Drive Pinion	25	Gear – Differential		
5	Baffle – Pinion Bearing	26	Thrustwasher – Diff. Pinion	45	Gear – Differential
6	Shim – Pinion Bearing	27	Thrustwasher – Differential Gear	46	Spacer – Diff. Gear (dished)
7	KIT – Outer Pinion Bearing	28	Shaft – Differential Pinion	47	Plate – Differential
8	Slinger – Outer Pinion Bearing	29	Lock – Differential Shaft	48	Disc – Differential
9	Seal – Pinion Oil	30	Brake Mounting Bolt	49	Plate – Diff. (selective thick.)
10 ⁽²⁾	End Yoke Assembly	31	Brake Mounting Nut	50	Clip – Differential Clutch Retainer
11	Washer – Pinion Nut	32	Hub Seal	51	Flange Half - Differential Case
12	Pinion Nut	33	KIT – Inner Wheel Bearing	52	Cap Half – Differential Case
13 ⁽²⁾	Companion Flange Assembly	34	KIT – Outer Wheel Bearing	53	Shaft – Differential
	KIT – Carrier Cover	35 ⁽²⁾	Wheel Hub	54	Pinion – Differential
14	Carrier Cover	36	Spindle Nut	55	Gear – Differential
15	Carrier Cover Gasket / Sealant	37	Lockwasher – Spindle Nut	56	Ring – Differential
16	Plug – Carrier Cover	38	Shaft – Axle Flanged Drive	57	Plate – Differential
17	Bolt – Carrier Cover	39	Seal – Inboard Shaft	58	Disc – Differential
18 ⁽²⁾	Differential Bearing Cap	40	Retainer Ring – Wheel Bearing	59	Disc – Differential (dished)
19 ⁽²⁾	Bolt – Differential Bearing Cap	41	Wheel Bearing Assembly	60	Plate – Differential (dished)
20	KIT – Differential Bearing	42	Seal – Outboard Shaft	61	Bolt – Differential Case
21	Shim – Differential Bearing	43	Retainer – Oil Seal		

(1) Contact Vehicle Manufacturer

(2) See Spicer Driveline Catalog J300P Section 10
Check availability on all Powr-Lok parts before ordering

Dodge Model 60 Rear Axles

Bill of Material Table

Axle			Axle Kits				Shaft & Joint Assy.	
Bill of Material	Diff. Type	Ratio	Ring Gear & Pinion Kit ⁽⁷⁾	Differential			Right Hand Shaft Assy.	Left Hand Shaft Assy.
				Case Assy. Kit ⁽⁸⁾	Case Kit	Inner Parts Kit		
1968-69 B-Body Chrysler High-Performance								
602957-1	Powr-Lok	3.54	706660-1X	25124X	706174X	— ⁽⁹⁾	25833X	25834X
602957-2	Powr-Lok	3.54	706660-1X	25124X	706174X	— ⁽⁹⁾	25833X	25834X
602957-3	Powr-Lok	3.54	706660-1X	25124X	706174X	— ⁽⁹⁾	25833X	25834X
602957-4	Powr-Lok	3.54	706660-1X	25124X	706174X	— ⁽⁹⁾	25833X	25834X
602957-5	Powr-Lok	4.10	706660-3X	25124X	706174X	— ⁽⁹⁾	25833X	25834X
602957-6	Powr-Lok	4.10	706660-3X	25124X	706174X	— ⁽⁹⁾	25833X	25834X
1969 1/2-72 B-Body Chrysler High-Performance								
603109-1	Powr-Lok	3.54	25131X	26713X	706174X	706324X	26748X	26749X
603109-2	Powr-Lok	3.54	25131X	26713X	706174X	706324X	26748X	26749X
603109-3	Powr-Lok	4.10	706660-3X	26713X	706174X	706324X	26748X	26749X
603109-5	Powr-Lok	4.10	706660-3X	26713X	706174X	706324X	26748X	26749X
603109-6	Powr-Lok	4.56	706660-4X	27129X	706175X	706324X	26748X	26749X
603109-7	Powr-Lok	4.56	706660-4X	27129X	706175X	706324X	26748X	26749X
603109-8	Powr-Lok	4.56	706660-4X	27129X	706175X	706324X	26748X	26749X
1970-72 B-Body Chrysler High-Performance								
603222-1	Trac-Lok	3.54	706660-1X	27168-3X	706666X	706178X	26748-1X	27436X
603222-2	Trac-Lok	3.54	706660-1X	27168-3X	706666X	706178X	26748-1X	27436X
603222-3	Trac-Lok	4.10	706660-3X	27168-3X	706666X	706178X	26748-1X	27436X
603222-4	Trac-Lok	4.56	706660-4X	27168-3X	706666X	706178X	26748-1X	27436X
1975-77 B-Body Chrysler High-Performance								
603347-1	Powr-Lok	5.38	706660-10X	706323X	706175X	706324X	29699-1X	29700-1X
603347-2	Powr-Lok	5.13	706660-9X	706323X	706175X	706324X	29699-1X	29700-1X
1970-71 B300 Van & Motor Home								
603160-1	Standard	3.54	706660-1X	706664X	706668X	706671X	34887-6	34887-6
603160-2	Standard	4.10	706660-3X	706664X	706668X	706671X	34887-6	34887-6
603160-3	Powr-Lok	4.10	706660-3X	26519X	706174X	— ⁽⁹⁾	34887-6	34887-6
603160-4	Standard	4.88	706660-5X	706665X	706669X	706671X	34887-6	34887-6
603160-5	Trac-Lok	4.10	706660-3X	706662X	706666X	706670X	34887-6	34887-6
603160-6	Trac-Lok	3.54	706660-1X	706662X	706666X	706670X	34887-6	34887-6
603160-7	Standard	4.88	706660-5X	706663X	706667X	706670X	34887-6	34887-6
603160-8	Powr-Lok	4.88	706660-5X	26521X	706175X	— ⁽⁹⁾	34887-6	34887-6
1971 1/2-74 B300 Van & Motor Home								
603313-1	Standard	3.54	706660-1X	706664X	706668X	706671X	34887-6	34887-6
603313-2	Trac-Lok	3.54	706660-1X	706662X	706666X	706670X	34887-6	34887-6
603313-3	Standard	4.10	706660-3X	706664X	706668X	706671X	34887-6	34887-6
603313-4	Trac-Lok	4.10	706660-3X	706662X	706666X	706670X	34887-6	34887-6
603313-5	Standard	4.88	706660-5X	706665X	706669X	706671X	34887-6	34887-6
603313-6	Trac-Lok	4.88	706660-5X	706663X	706667X	706670X	34887-6	34887-6
603313-7	Standard	3.73	706660-2X	706664X	706668X	706671X	34887-6	34887-6
603313-8	Trac-Lok	3.73	706660-2X	706662X	706666X	706670X	34887-6	34887-6

(7) See Ring Gear & Pinion Kits in XGI Catalog for ratio & tooth combinations.

(8) See Differential Case Assy Kits in XGI Catalog for spline data & ratios.

(9) Use Internal Parts from Case Assembly

Dodge Model 60 Rear Axles

Bill of Material Table

Axle			Axle Kits				Shaft & Joint Assy.	
Bill of Material	Diff. Type	Ratio	Ring Gear & Pinion Kit ⁽⁷⁾	Differential			Right Hand Shaft Assy.	Left Hand Shaft Assy.
				Case Assy. Kit ⁽⁸⁾	Case Kit	Inner Parts Kit		
1974 1/2-75 B300 Van & Motor Home								
603516-1	Standard	3.54	706660-1X	706664X	706668X	706671X	34887-13	34887-14
603516-2	Trac-Lok	3.54	706660-1X	706662X	706666X	706670X	34887-13	34887-14
603516-3	Standard	4.10	706660-3X	706664X	706668X	706671X	34887-13	34887-14
603516-4	Trac-Lok	4.10	706660-3X	706662X	706666X	706670X	34887-13	34887-14
603516-5	Standard	3.54	706660-1X	706664X	706668X	706671X	34887-13	34887-14
603516-6	Standard	3.73	706660-2X	706664X	706668X	706671X	34887-13	34887-14
603516-7	Trac-Lok	3.73	706660-2X	706662X	706666X	706670X	34887-13	34887-14
603516-8	Standard	4.10	706660-3X	706664X	706668X	706671X	34887-13	34887-14
603516-9	Trac-Lok	3.54	706660-1X	706662X	706666X	706670X	34887-13	34887-14
1976 B300 Van & Motor Home								
603645-1	Standard	3.54	706660-1X	706664X	706668X	706671X	34887-13	34887-14
603645-2	Trac-Lok	3.54	706660-1X	706662X	706666X	706670X	34887-13	34887-14
603645-3	Standard	4.10	706660-3X	706664X	706668X	706671X	34887-13	34887-14
603645-4	Trac-Lok	4.10	706660-3X	706662X	706666X	706670X	34887-13	34887-14
603645-5	Standard	3.54	706660-1X	706664X	706668X	706671X	34887-13	34887-14
603645-8	Standard	4.10	706660-3X	706664X	706668X	706671X	34887-13	34887-14
603645-10	Trac-Lok	4.10	706660-3X	706662X	706666X	706670X	34887-13	34887-14
1976 1/2 B300 Van & Motor Home								
603768-1	Standard	3.54	706660-1X	706664X	706668X	706671X	38378-3	38378-4
603768-2	Standard	3.54	706660-1X	706664X	706668X	706671X	38378-3	38378-4
603768-3	Trac-Lok	3.54	706660-1X	706662X	706666X	706670X	38378-3	38378-4
603768-4	Standard	4.10	706660-3X	706664X	706668X	706671X	38378-3	38378-4
603768-5	Trac-Lok	4.10	706660-3X	706662X	706666X	706670X	38378-3	38378-4
603768-7	Trac-Lok	4.10	706660-3X	706662X	706666X	706670X	38378-3	38378-4
603768-6	Standard	4.10	706660-3X	706664X	706668X	706671X	38378-3	38378-4
1977-78 B300 Van & Motor Home								
603774-1	Standard	3.54	706660-1X	706664X	706668X	706671X	38378-3	38378-4
603774-2	Standard	3.54	706660-1X	706664X	706668X	706671X	38378-3	38378-4
603774-3	Trac-Lok	3.54	706660-1X	706662X	706666X	706670X	38378-3	38378-4
603774-4	Standard	4.10	706660-3X	706664X	706668X	706671X	38378-3	38378-4
603774-5	Trac-Lok	4.10	706660-3X	706662X	706666X	706670X	38378-3	38378-4
603774-6	Standard	4.10	706660-3X	706664X	706668X	706671X	38378-3	38378-4
603774-7	Trac-Lok	4.10	706660-3X	706662X	706666X	706670X	38378-3	38378-4
603774-8	Trac-Lok	3.54	706660-1X	706662X	706666X	706670X	38378-3	38378-4
1978 B300 Maxi-Van								
603832-1	Standard	4.10	706660-3X	706664X	706668X	706671X	35953-5	35953-6
1969-71 E-Body Chrysler High-Performance								
603080-1	Powr-Lok	3.54	706660-1X	26713X	706174X	706324X	26717X	27438X
603080-2	Powr-Lok	3.54	706660-1X	26713X	706174X	706324X	26717X	27438X
603080-3	Powr-Lok	4.10	706660-3X	26713X	706174X	706324X	26717X	27438X
603080-4	Powr-Lok	3.54	706660-1X	26713X	706174X	706324X	26717X	27438X
603080-5	Powr-Lok	4.10	706660-3X	26713X	706174X	706324X	26717X	27438X
603080-6	Powr-Lok	4.56	706660-4X	706323X	706175X	706324X	26717X	27438X
603080-7	Powr-Lok	4.56	706660-4X	706323X	706175X	706324X	26717X	27438X

(7) See Ring Gear & Pinion Kits in XGI Catalog for ratio & tooth combinations.

(8) See Differential Case Assy Kits in XGI Catalog for spline data & ratios.

(9) Use Internal Parts from Case Assembly

Dodge Model 60 Rear Axles

Bill of Material Table

Axle			Axle Kits				Shaft & Joint Assy.	
Bill of Material	Diff. Type	Ratio	Ring Gear & Pinion Kit ⁽⁷⁾	Differential			Right Hand Shaft Assy.	Left Hand Shaft Assy.
				Case Assy. Kit ⁽⁸⁾	Case Kit	Inner Parts Kit		
1970-72 E-Body (Chrysler High-Performance)								
603226-1	Trac-Lok	3.54	706660-1X	27168-3X	706666X	706670X	26717X	27438X
603226-2	Trac-Lok	3.54	706660-1X	27168-3X	706666X	706670X	26717X	27438X
603226-4	Trac-Lok	4.10	706660-3X	27168-3X	706666X	706670X	26717X	27438X
1974 & 1976-78 E-Body (Chrysler High-Performance)								
603425-1	Powr-Lok	5.38	706660-10X	706323X	706175X	706324X	29699-2X	29700-2X
1977-78 Retail Maintenance								
603831-1	Trac-Lok	4.10	706660-3X	706662X	706666X	706670X	38378-5	38378-5
1967-70 D200 & W200 Pick-up								
602423-1	Standard	3.54	706660-1X	706129X	706668X	706130X	30282-4	30282-4
602423-2	Standard	4.10	706660-3X	706129X	706668X	706130X	30282-4	30282-4
1968 1/2-70 D200 & W200 Pick-up								
603010-1	Standard	4.10	706660-3X	706664X	706668X	706671X	30282-4	30282-4
603010-2	Standard	4.88	706660-5X	706665X	706669X	706671X	30282-4	30282-4
603010-3	Powr-Lok	4.10	706660-3X	26519X	706174X	— ⁽⁹⁾	30282-4	30282-4
603010-5	Standard	4.10	706660-3X	706664X	706668X	706671X	30282-4	30282-4
603010-6	Standard	4.88	706660-5X	706665X	706669X	706671X	30282-4	30282-4
603010-11	Standard	3.54	706660-1X	706664X	706668X	706671X	30282-4	30282-4
603010-13	Standard	4.10	706660-3X	706664X	706668X	706671X	30282-4	30282-4
603010-14	Standard	4.88	706660-5X	706665X	706669X	706671X	30282-4	30282-4
603010-15	Powr-Lok	4.10	706660-3X	26519X	706174X	— ⁽⁹⁾	30282-4	30282-4
603010-18	Standard	3.54	706660-1X	706664X	706668X	706671X	30282-4	30282-4
603010-19	Standard	5.86	706660-6X	706665X	706669X	706671X	30282-4	30282-4
1969 1/2-72 D200 & W200 Pick-up								
603016-1	Standard	3.54	706660-1X	706664X	706668X	706671X	34887-3	34887-3
603016-2	Standard	4.10	706660-3X	706664X	706668X	706671X	34887-3	34887-3
603016-3	Powr-Lok	4.10	706660-3X	26519X	706174X	— ⁽⁹⁾	34887-3	34887-3
603016-4	Standard	4.88	706660-5X	706665X	706669X	706671X	34887-3	34887-3
603016-5	Powr-Lok	4.88	706660-5X	26521X	706175X	— ⁽⁹⁾	34887-3	34887-3
603016-6	Powr-Lok	3.54	706660-1X	26519X	706174X	— ⁽⁹⁾	34887-3	34887-3
603016-7	Standard	5.86	706660-6X	706665X	706669X	706671X	34887-3	34887-3
603016-8	Trac-Lok	4.10	706660-3X	706662X	706666X	706670X	34887-3	34887-3
603016-9	Trak-Lok	3.54	706660-1X	706662X	706666X	706670X	34887-3	34887-3
603016-10	Trak-Lok	4.88	706660-5X	706663X	706667X	706670X	34887-3	34887-3
603016-11	Standard	3.54	706660-1X	706664X	706668X	706671X	34887-3	34887-3
603016-12	Standard	4.10	706660-3X	706664X	706668X	706671X	34887-3	34887-3
603016-13	Standard	4.88	706660-5X	706665X	706669X	706671X	34887-3	34887-3
603016-14	Trac-Lok	4.10	706660-3X	706662X	706666X	706670X	34887-3	34887-3
1971 1/2-75 D200 & W200 Pick-up								
603236-1	Standard	3.54	706660-1X	706664X	706668X	706671X	34887-6	34887-6
603236-2	Standard	4.10	706660-3X	706664X	706668X	706671X	34887-6	34887-6
603236-3	Trac-Lok	4.10	706660-3X	706662X	706666X	706670X	34887-6	34887-6
603236-4	Standard	4.56	706660-4X	706665X	706669X	706671X	34887-6	34887-6
603236-5	Trac-Lok	4.56	706660-4X	706663X	706667X	706670X	34887-6	34887-6
603236-6	Trac-Lok	3.54	706660-1X	706662X	706666X	706670X	34887-6	34887-6
603236-7	Standard	3.54	706660-1X	706664X	706668X	706671X	34887-6	34887-6
603236-8	Standard	4.10	706660-3X	706664X	706668X	706671X	34887-6	34887-6
603236-9	Trak-Lok	3.54	706660-1X	706662X	706666X	706670X	34887-6	34887-6
603236-10	Trac-Lok	4.10	706660-3X	706662X	706666X	706670X	34887-6	34887-6

(7) See Ring Gear & Pinion Kits in XGI Catalog for ratio & tooth combinations.

(8) See Differential Case Assy Kits in XGI Catalog for spline data & ratios.

(9) Use Internal Parts from Case Assembly

Dodge Model 60 Rear Axles

Bill of Material Table

Axle			Axle Kits				Shaft & Joint Assy.	
Bill of Material	Diff. Type	Ratio	Ring Gear & Pinion Kit ⁽⁷⁾	Differential			Right Hand Shaft Assy.	Left Hand Shaft Assy.
				Case Assy. Kit ⁽⁸⁾	Case Kit	Inner Parts Kit		
1976 D200 & W200 Pick-up								
603769-1	Standard	3.54	706660-1X	706664X	706668X	706671X	38378-1	38378-1
603769-2	Trac-Lok	3.54	706660-1X	706662X	706666X	706670X	38378-1	38378-1
603769-3	Standard	4.10	706660-3X	706664X	706668X	706671X	38378-1	38378-1
603769-4	Trac-Lok	4.10	706660-3X	706662X	706666X	706670X	38378-1	38378-1
603769-5	Standard	4.10	706660-3X	706664X	706668X	706671X	38378-1	38378-1
603769-6	Trac-Lok	4.10	706660-3X	706662X	706666X	706670X	38378-1	38378-1
1977 D200 & W200 Pick-up								
603775-1	Standard	3.54	706660-1X	706664X	706668X	706671X	38378-1	38378-1
603775-2	Trac-Lok	3.54	706660-1X	706662X	706666X	706670X	38378-1	38378-1
603775-3	Standard	4.10	706660-3X	706664X	706668X	706671X	38378-1	38378-1
603775-4	Trac-Lok	4.10	706660-3X	706662X	706666X	706670X	38378-1	38378-1
603775-5	Standard	4.10	706660-3X	706664X	706668X	706671X	38378-1	38378-1
603775-6	Trac-Lok	4.10	706660-3X	706662X	706666X	706670X	38378-1	38378-1
1978 D200 & W200 Pick-up								
603892-1	Standard	3.54	706660-1X	706664X	706668X	706671X	38378-1	38378-1
603892-2	Trac-Lok	3.54	706660-1X	706662X	706666X	706670X	38378-1	38378-1
603892-3	Standard	4.10	706660-3X	706664X	706668X	706671X	38378-1	38378-1
603892-4	Trac-Lok	4.10	706660-3X	706662X	706666X	706670X	38378-1	38378-1
603892-5	Standard	4.10	706660-3X	706664X	706668X	706671X	38378-1	38378-1
603892-6	Trac-Lok	4.10	706660-3X	706662X	706666X	706670X	38378-1	38378-1
1971-75 D200 & W200 Heavy Duty Pick-up & Camper								
603237-1	Standard	3.54	706660-1X	706664X	706668X	706671X	35953	35953
603237-2	Standard	4.10	706660-3X	706664X	706668X	706671X	35953	35953
603237-3	Trac-Lok	4.10	706660-3X	706662X	706666X	706670X	35953	35953
603237-4	Standard	4.56	706660-4X	706665X	706669X	706671X	35953	35953
603237-5	Trac Lok	4.56	706660-4X	706663X	706667X	706670X	35953	35953
603237-6	Trac-Lok	4.10	706660-3X	706662X	706666X	706670X	35953	35953
1976-78 D200 & W200 Heavy Duty Pick-up & Camper								
603647-2	Standard	4.10	706660-3X	706664X	706668X	706671X	35953	35953
603647-3	Trac-Lok	4.10	706660-3X	706662X	706666X	706670X	35953	35953
603647-6	Trac-Lok	4.10	706660-3X	706662X	706666X	706670X	35953	35953
603647-7	Standard	4.10	706660-3X	706664X	706668X	706671X	35953	35953
1971-74 CB300 & MB300 Van & Motor Home								
603341-1	Standard	4.10	706660-3X	706664X	706668X	706671X	35953-1	35953-1
603341-2	Standard	4.10	706660-3X	706664X	706668X	706671X	35953-1	35953-1
1975 CB300 & MB300 Van & Motor Home								
603514-1	Standard	4.10	706660-3X	706664X	706668X	706671X	35953-3	35953-4
603514-2	Standard	4.10	706660-3X	706664X	706668X	706671X	35953-3	35953-4
1976-78 CB300 & MB300 Van & Motor Home								
603648-1	Standard	4.10	706660-3X	706664X	706668X	706671X	35953-3	35953-4
1972-75 M300 & RM300 Motor Home								
603376-2	Standard	4.88	706660-5X	706665X	706669X	706671X	35953-2	35953-2
603376-3	Standard	4.10	706660-3X	706664X	706668X	706671X	35953-2	35953-2
1976-78 M300 & RM300 Motor Home								
603376-2	Standard	4.88	706660-5X	706665X	706669X	706671X	35953-2	35953-2

(7) See Ring Gear & Pinion Kits in XGI Catalog for ratio & tooth combinations.

(8) See Differential Case Assy Kits in XGI Catalog for spline data & ratios.

(9) Use Internal Parts from Case Assembly

Dodge Model 60 Rear Axles Common Axle Kits - Use with All Applications

ITEM NO.	DESCRIPTION	KIT PART NUMBER	ITEM NO.	DESCRIPTION	KIT PART NUMBER
Inner Pinion Bearing			Differential Bearing Adjusting Shim		
706046X			706673X		
3	KIT – Inner Pinion Bearing		15	Carrier Cover Gasket / Sealant	
Outer Pinion Bearing			21	Shim – Differential Bearing	
706045X			Differential & Pinion Shim		
7	KIT – Outer Pinion Bearing		706674X		
Outer Pinion Bearing			4	Shim – Drive Pinion Adjusting	
706047X			6	Shim – Pinion Bearing Adjusting	
20	KIT – Differential Bearing		11	Washer – Pinion Nut	
Pinion & Bearing Adjusting Shim			12	Pinion Nut	
706672X			15	Carrier Cover Gasket / Sealant	
4	Shim – Drive Pinion Adjusting		21	Shim – Differential Bearing	
6	Shim – Pinion Bearing Adjusting				
12	Pinion Nut				
15	Carrier Cover Gasket / Sealant				

When replacing Carrier Cover Gasket, replace with same type originally used. RTV tube gasket recommended for use on flat flange type cover. Paper or cork gasket recommended for use on ribbed flange cover.

Miscellaneous Small Parts - Use With All Applications

Full-Float Design

VEHICLE MODEL & BILL OF MATERIAL BASE NUMBER	BRAKE MOUNTING		HUB SEAL (item 32)	INNER WHEEL BEARING KIT (item 33)	OUTER WHEEL BEARING KIT (item 34)	SPINDLE NUT (item 33)	SPINDLE NUT LOCKWASHER (item 37)
	BOLT (item 30)	NUT (item 31)					

For Retail Maintenance, D200 & W200, B300, CB300 & MB300, M300 & RM300 Models

Axle B.M. 602423, 603010, 603016,
603160, 603236, 603237, 603313,
603341, 603376, 603514, 603516,
603645, 603647, 603648, 603650,
603768, 603769, 603774, 603775,
603831, 603832, 603892

(Contact Vehicle Manufacturer for Service)

Semi-Float Design

VEHICLE MODEL & BILL OF MATERIAL BASE NUMBER	BRAKE MOUNTING		INBOARD SHAFT SEAL (item 39)	WHEEL BEARING RETAINER RING (item 40)	WHEEL BEARING ASSEMBLY (item 41)	OUTBOARD SHAFT SEAL (item 42)	OIL SEAL RETAINER (item 43)
	BOLT (item 30)	NUT (item 31)					
For B-Body Model Axle B.M. 602875	34183	34184	(2)	(2)	(2)	34177	34181
For B-Body & E-Body Models Axle B.M. 602957, 603080, 603109, 603222, 603226, 603425	34183	34184	34419	32755	(1) {550707 550708}	34177	34181

(1) Not a Kit (1 each required for all applications listed)

(2) Contact Vehicle Manufacturer for Service

Dodge Model 60 Rear Axles Kit Components



ITEM NO.	DESCRIPTION	ITEM NO.	DESCRIPTION	ITEM NO.	DESCRIPTION
Carrier Cover		Differential Case Assembly (Trac-Lok)		Differential Parts (Powr-Lok)	
14	Carrier Cover	15	Carrier Cover Gasket / Sealant	15	Carrier Cover Gasket / Sealant
15	Carrier Cover Gasket / Sealant	20	KIT – Differential Bearing	53	Shaft – Differential
16	Plug – Carrier Cover	21	Shim – Differential Bearing	54	Pinion – Differential
17	Bolt – Carrier Cover	23	Bolt – Drive Gear	55	Gear – Differential
Drive Pinion & Gear Assembly		24	Pinion – Differential	56	Ring – Differential Gear
2	Drive Pinion & Gear Assembly	26	Thrustwasher – Diff. Pinion	57	Plate – Differential
3	KIT – Inner Pinion Bearing	28	Shaft – Differential	58	Disc – Differential
4	Inner Pinion Shims	29	Lock – Differential Shaft	59	Disc – Differential (dished)
5	Baffle – Pinion Bearing	44	Case – Differential	60	Plate – Differential (dished)
6	Outer Pinion Shims	45	Gear – Differential	Differential Parts (Trac-Lok)	
7	KIT – Outer Pinion Bearing	46	Spacer – Diff. Gear (dished)	15	Carrier Cover Gasket / Sealant
8	Slinger – Outer Pinion Bearing	47	Plate – Differential	23	Bolt – Drive Gear
9	Seal – Pinion Oil	48	Disc – Differential	24	Pinion – Differential
11	Washer – Pinion Nut	49	Plate – Differential	26	Thrustwasher – Diff. Pinion
12	Pinion Nut	50	Clip – Diff. Clutch Retainer	28	Shaft – Differential
15	Carrier Cover Gasket / Sealant	Differential Case (standard)		29	Lock – Differential Shaft
21	Shim – Differential Bearing	15	Carrier Cover Gasket / Sealant	45	Gear – Differential
23	Bolt – Drive Gear	21	Shim – Differential Bearing	46	Spacer – Diff. Gear (dished)
Differential Case Assembly (standard)		22	Case – Differential	47	Plate – Differential
15	Carrier Cover Gasket / Sealant	23	Bolt – Drive Gear	48	Disc – Differential
20	KIT – Differential Bearing	29	Lock – Differential Shaft	49	Plate – Differential
21	Shim – Differential Bearing	Differential Case (Powr-Lok)		50	Clip – Diff. Clutch Retainer
22	Case – Differential	15	Carrier Cover Gasket / Sealant		
23	Bolt – Drive Gear	21	Shim – Differential Bearing		
24	Pinion – Differential	23	Bolt – Drive Gear		
25	Gear – Differential	51	Flange Half – Differential Case		
26	Thrustwasher – Diff. Pinion	52	Cap Half – Differential Case		
27	Thrustwasher – Diff. Gear	61	Bolt – Differential Case		
28	Shaft – Differential Pinion	Differential Case (Trac-Lok)			
29	Lock – Differential Shaft	15	Carrier Cover Gasket / Sealant		
Differential Case Assembly (Powr-Lok)		21	Shim – Differential Bearing		
15	Carrier Cover Gasket / Sealant	23	Bolt – Drive Gear		
20	KIT – Differential Bearing	29	Lock – Differential Shaft		
21	Shim – Differential Bearing	44	Case – Differential		
23	Bolt – Drive Gear	Differential Parts (standard)			
51	Flange Half – Differential Case	15	Carrier Cover Gasket / Sealant		
52	Cap Half – Differential Case	23	Bolt – Drive Gear		
53	Shaft – Differential	24	Pinion – Differential		
54	Pinion – Differential	25	Gear – Differential		
55	Gear – Differential	26	Thrustwasher – Diff. Pinion		
56	Ring – Differential Gear	27	Thrustwasher – Diff. Gear		
57	Plate – Differential	28	Shaft – Differential Pinion		
58	Disc – Differential	29	Lock – Differential Shaft		
59	Disc – Differential (dished)				
60	Plate – Differential (dished)				
61	Bolt – Differential Case				

When replacing Carrier Cover Gasket, replace with same type originally used. RTV tube gasket recommended for use on flat flange type cover. Paper or cork gasket recommended for use on ribbed flange cover.

Dodge Model 60 Rear Axles Axle Shaft Dimensions

Part Number	Spline		Flange Face to End of Spline	Flange Diameter	Bolts	
	Diameter & Number of Splines	Length			Circle Diameter	Number of Bolt Holes
25833X	1 1/2" -23	1 5/8"	28 9/32"	6"	4 1/2"	5
25834X	1 1/2" -23	1 5/8"	29 21/32"	6"	4 1/2"	5
26717X	1 1/2" -35	1 5/8"	29 1/16"	6"	4 1/2"	5
26748X	1 1/2" -35	1 5/8"	28 9/32"	6"	4 1/2"	5
26748-1X	1 1/2" -35	1 5/8"	29 11/16"	6"	4 1/2"	5
26749X	1 1/2" -35	1 5/8"	29 21/32"	6"	4 1/2"	5
27436X	1 1/2" -35	1 5/8"	31 5/64"	6"	4 1/2"	5
27438X	1 1/2" -35	1 5/8"	30 7/16"	6"	4 1/2"	5
29699-1X	1 1/2" -35	1 5/8"	27 1/16"	6"	4 1/2"	5
29699-2X	1 1/2" -35	1 5/8"	23 1/16"	6"	4 1/2"	5
29700-1X	1 1/2" -35	1 5/8"	28 7/16"	6"	4 1/2"	5
29700-2X	1 1/2" -35	1 5/8"	24 7/16"	6"	4 1/2"	5
30282-4	1 5/16" -16	1 13/16"	34 9/32"	4 3/4"	3 31/32"	8
34887-3	1 5/16" -30	1 13/16"	34 9/32"	4 3/4"	3 31/32"	8
34887-6	1 5/16" -30	1 13/16"	34 5/8"	4 3/4"	3 31/32"	8
34887-13	1 5/16" -30	1 13/16"	31 5/8"	4 3/4"	3 31/32"	8
34887-14	1 5/16" -30	1 13/16"	37 5/8"	4 3/4"	3 31/32"	8
35953	1 5/16" -30	1 13/16"	34 5/8"	4 3/4"	3 31/32"	8
35953-1	1 5/16" -30	1 13/16"	39 3/64"	4 3/4"	3 31/32"	8
35953-2	1 5/16" -30	1 13/16"	36 1/2"	4 3/4"	3 31/32"	8
35953-3	1 5/16" -30	1 13/16"	36 3/64"	4 3/4"	3 31/32"	8
35953-4	1 5/16" -30	1 13/16"	42 3/64"	4 3/4"	3 31/32"	8
35953-5	1 5/16" -30	1 13/16"	31 5/8"	4 3/4"	3 31/32"	8
35953-6	1 5/16" -30	1 13/16"	37 5/8"	4 3/4"	3 31/32"	8
38378-1	1 5/16" -30	1 13/16"	34 5/8"	4 3/4"	3 31/32"	8
38378-3	1 5/16" -30	1 13/16"	31 5/8"	4 3/4"	3 31/32"	8
38378-4	1 5/16" -30	1 13/16"	37 5/8"	4 3/4"	3 31/32"	8
38378-5	1 5/16" -30	1 13/16"	32 5/8"	4 3/4"	3 31/32"	8

Carrier Cover Part Numbers

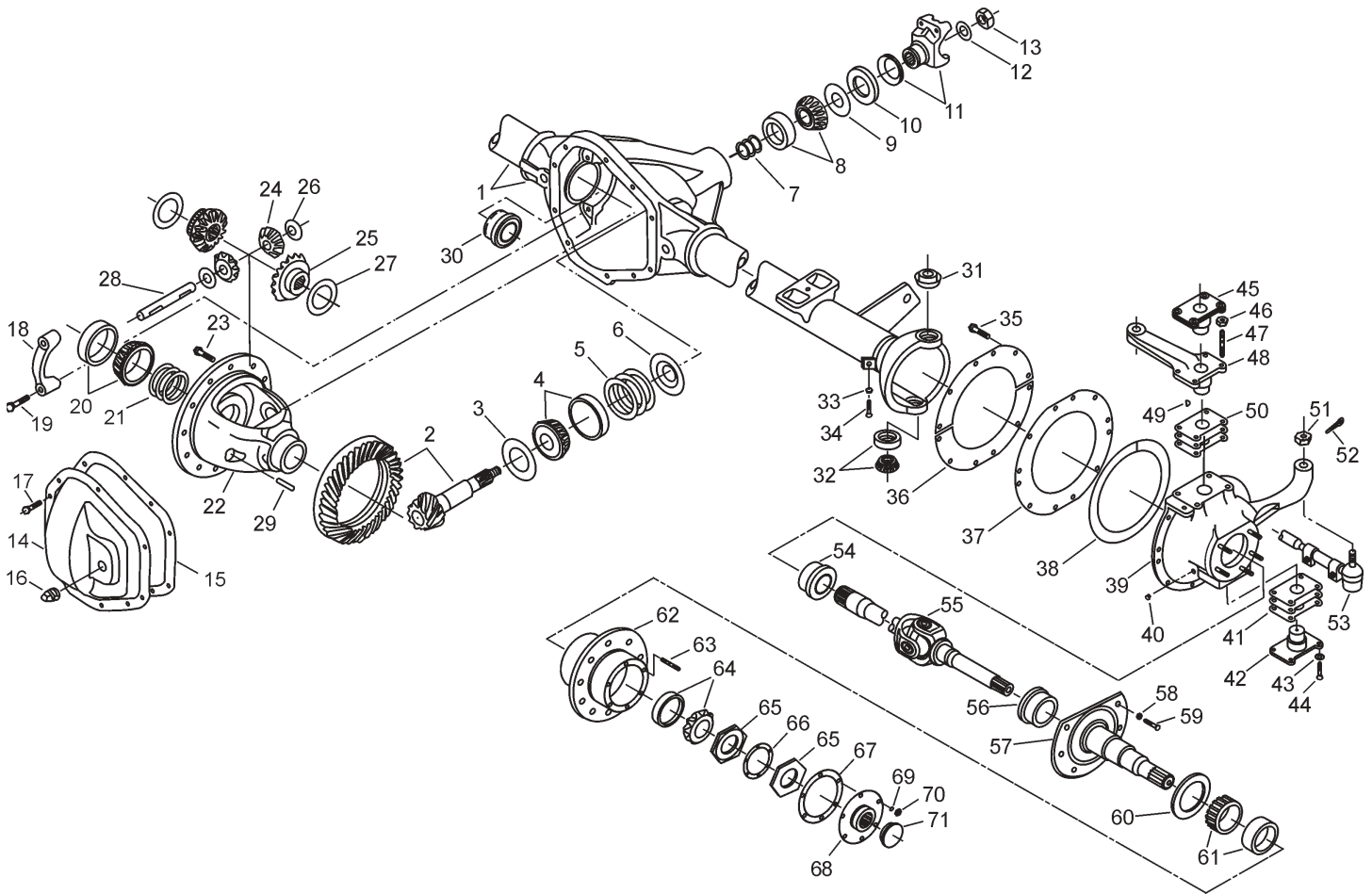
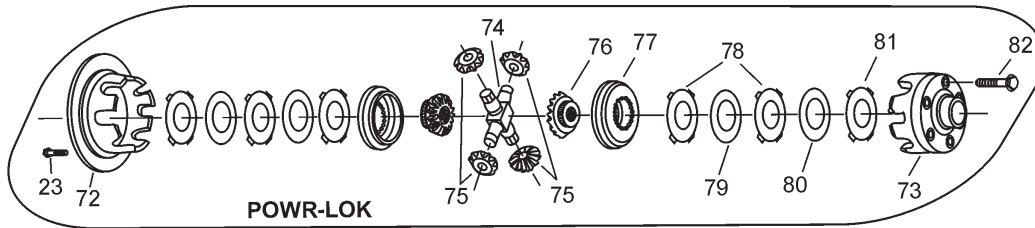
BILL OF MATERIAL BASE NUMBER	Carrier Cover Kit Part Number
Axle B.M. 602957	25254X
Axle B.M. 603222, 603226	27650X
Axle B.M. 603080, 603109, 603160, 603236, 603237, 603313, 603341, 603376, 603514, 603516	706078X
Axle B.M. 602423, 603010, 603016	706128X
Axle B.M. 603347, 603425, 603645, 603648, 603650, 603768, 603769, 603774, 906775	706466X
Axle B.M. 603647, 603831, 603832, 603892	706683X

Dodge / Chrysler 1967-1978

Model 70 Front Axles for

W200 & W300 Heavy Duty Pick-up W600 4x4 Truck

Dodge Model 70 Front Axles Exploded View



Dodge Model 70 Front Axles

Parts Listing

ITEM NO.	PART IDENTIFICATION	ITEM NO.	PART IDENTIFICATION	ITEM NO.	PART IDENTIFICATION
1 ⁽¹⁾	Housing – Axle Service	30	Seal & Guide Tube	58	Lockwasher
2	Drive Pinion & Gear Assembly	31	Cone – King Pin Bushing	59	Screw – Hex Cap
3	Slinger – Inner Pinion Bearing	32	KIT – King Pin Bearing	60	Oil Seal
4	KIT – Inner Pinion Bearing	33	Jam Nut	61	KIT – Inner Wheel Bearing
5	Inner Pinion Shim	34	Stop Screw	62 ⁽¹⁾	Wheel Hub
6	Baffle – Pinion Bearing	35	Bolt – Knuckle Oil Seal	63	Stud
7	Outer Pinion Shims	36	Plate – Seal Retaining	64	KIT – Outer Wheel Bearing
8	KIT – Outer Pinion Bearing	37	Seal – Felt Knuckle	65	Nut – Wheel Bearing
9	Slinger – Outer Pinion Bearing	38	Seal Assembly – Knuckle Oil	66	Lockwasher – Wheel Bearing Nut
10	Seal – Pinion Oil	39	Steering Knuckle	67	Axle Drive Flange Gasket
11 ⁽²⁾	End Yoke Assembly	40	Pipe Plug	68	Flange & Plug Assy – Axle Drive
12	Washer – Pinion Nut	41	Shim – King Pin (lower)	69 ⁽¹⁾	Lockwasher
13	Pinion Nut	42	Lower King Pin Bearing Cap	70 ⁽¹⁾	Nut
14	Carrier Cover	43	Lockwasher – King Pin Cap Bolt	71	Plug – Axle Drive Flange
15	Carrier Cover Gasket / Sealant	44	Bolt – Lower King Pin Brg. Cap		
16	Plug – Carrier Cover	45	Upper King Pin Cap (RH)		Power-Lok & Trak-Lok Differential
17	Bolt – Carrier Cover	46	Nut – Upper King Pin		
18 ⁽¹⁾	Differential Bearing Cap	47	Stud – Upper King Pin (LH)	72	Flange Half - Differential Case
19 ⁽¹⁾	Bolt – Differential Bearing Cap	48	Steering Arm Assembly (LH only)	73	Cap Half – Differential Case
20	KIT – Differential Bearing	49	Woodruff Key	74	Shaft – Differential
21	Shim – Differential Bearing	50	Shim – King Pin (upper)	75	Pinion – Differential
22	Case – Differential	51 ⁽¹⁾	Nut – Hex Slotted	76	Gear – Differential
23	Bolt – Drive Gear	52 ⁽¹⁾	Cotter Pin	77	Ring – Differential
24	Pinion – Differential			78	Plate – Differential
25	Gear – Differential	53 ⁽¹⁾	Tie Rod Assembly	79	Disc – Differential
26	Thrustwasher – Diff. Pinion	54	Bushing – Axle Shaft	80	Disc – Differential (dished)
27	Thrustwasher – Diff. Gear	55	Shaft & Joint Assembly	81	Plate – Differential (dished)
28	Shaft – Differential Pinion	56	Bushing – Wheel Brg. Spindle	82	Bolt – Differential Case
29	Lock – Differential Shaft	57	Wheel Bearing Spindle Assy.		

(1) Contact Vehicle Manufacturer

(2) See Spicer Driveline Catalog J300P Section 10
Check availability on all Powr-Lok parts before ordering

Dodge Model 70 Front Axles

Bill of Material Table

Axle			Axle Kits				Shaft & Joint Assy.	
Bill of Material	Diff. Type	Ratio	Ring Gear & Pinion Kit ⁽⁷⁾	Differential			Right Hand Shaft Assy.	Left Hand Shaft Assy.
				Case Assy. Kit ⁽⁸⁾	Case Kit	Inner Parts Kit		
1967-72 W200 & W300 Heavy Duty Pick-up 2 - Piece Case								
603017-3	Standard	4.88	706091-3X	706082X	706084X	706085X		
603017-4	Standard	5.86	706091-5X	706082X	706084X	706085X		
603017-5	Powr-Lok	4.88	706091-3X	706234X	706054X	706057X		
603017-6	Standard	4.88	706091-3X	706082X	706084X	706085X		
1971-78 W200 & W300 Heavy Duty Pick-up 1 - Piece Case								
603271-7	Standard	4.88	706048-2X	706052X	706056X	706058X	Spicer Joint: 903670-1	903670-2
603271-9	Standard	4.10	706048-2X	706051X	706055X	706058X		
1971-78 W200 & W300 Heavy Duty Pick-up - 2 Piece Case								
603271-1	Standard	4.88	706048-4X	706082X	706084X	706085X	Tracta Joint: 26305-1X	26305-2X
603271-2	Standard	5.86	706048-6X	706082X	706084X	706085X		
603271-3	Standard	4.10	706048-3X	706081X	706083X	706085X		
603271-4	Standard	4.56	706048-3X	706082X	706084X	706085X		
603271-5	Standard	4.88	706048-4X	706082X	706084X	706085X		
603271-6	Powr-Lok	4.88	706048-4X	706234X	706054X	706057X		
603271-8	Standard	5.86	706048-6X	706082X	706084X	706085X		
1974-78 W600 4x4 Truck - 1 Piece Case								
603483-2	Standard	6.17	706048-7X	706052X	706056X	706058X	902252-10	902252-11

(7) See Ring Gear & Pinion Kits in XGI Catalog for ratio & tooth combinations.

(8) See Differential Case Assy Kits in XGI Catalog for spline data & ratios.

(9) Use Internal Parts from Case Assembly

Dodge Model 70 Front Axles Axle Kits & Parts - Use with All Applications

Description & Item Number (Refer to "Exploded View" at the front of this section)		Bills of Material			
		603017	603271	603483	
KIT – Inner Pinion Bearing	4	706060X	706060X	706060X	
Pinion & Bearing Adjusting Shim (inc. items 5, 7, 12, 13, 16)	—	706357X	706357X	706357X	
Differential & Pinion Shim (inc. items 5, 7, 12, 13, 16, 22)	—	706213X	706213X	706213X	
Outer Pinion Bearing	8	706045X	706045X	706045X	
Carrier Cover (inc. 14, 15, 16, 17)	—	706059X	706080X	706080X	
Differential Bearing Adj. Shim (16 & 22)	—	706378X	706378X	706378X	
Differential Bearing	20	706047X	706047X	706047X	
Seal & Guide Tube	30	37275	37275	37275	
Cone – King Pin Bushing	31	31002	31002	31002	
Steering Knuckle Assembly - LH (inc. 31, 32, 35, 36, 37, 38, 39, 40, 41, 42, 43, 44, 45, 46, 47, 49, 50)	N.I.	— ⁽³⁾	706263X	706222X	
Steering Knuckle Assembly - LH (inc. 31, 32, 35, 36, 37, 38, 39, 40, 41, 42, 43, 44, 45, 46, 47, 49, 50)	N.I.	— ⁽³⁾	706264X	28657X	
KIT – King Pin Bearing	32	706150X	706150X	706150X	
Jam Nut	33	500381-3	500381-3	500381-3	
Stop Screw	34	30902	30902	30902	
KIT – Knuckle Oil Seal & Bolt	N.I.	706230X	706230X	706230X	
Knuckle – Steering (RH)	39	— ⁽³⁾	30992	36781	
Steering Arm (LH only)	39	— ⁽³⁾	30993	36482	
Pipe Plug	40	— ⁽³⁾	36924	36924	
Shim – King Pin Adjusting (lower)	41	⁽⁹⁾ 31005-1, -2, -3, -4	⁽⁹⁾ 31005-1, -2, -3, -4	⁽⁹⁾ 31005-1, -2, -3, -4	
Cap – King Pin Bearing (lower)	42	35183	35183	35183	
Lockwasher – Lower King Pin Cap	43	500357-13	500357-13	500357-13	
Hex Bolt – Lower King Pin Cap	44	500412-12	500412-12	500412-12	
Cap – King Pin (upper) (RH)	45	— ⁽³⁾	35184	35184	
Nut – King Pin (upper) (LH)	46	30875	30875	30875	
Bolt – King Pin (upper) (RH)	"	— ⁽³⁾	500412-12	500412-12	
KIT – Steering Arm (inc 46, 48)	N.I.	— ⁽³⁾	706265X	28658X	
Stud – King Pin (upper) (LH)	47	30874	30874	30874	
Steering Arm Assembly (LH)	48	— ⁽³⁾	27423X	28658X	
Woodruff Key	49	500007-12	500007-12	500007-12	
Shim – King Pin Adjusting (upper)	50	⁽⁹⁾ 31005-1, -2, -3	⁽⁹⁾ 31005-1, -2, -3	⁽⁹⁾ 31005-1, -2, -3	
Bushing – Axle Shaft	54	30864	30864	30864	
Bushing – Wheel Bearing Spindle	56	30864	30864	30864	
Spindle Assy. – Wheel Bearing (inc 56)	57	21382X	21348X	21348X	
Lockwasher	58	500358-13	500358-13	500358-13	
Screw – Hex Cap	59	32142	32142	32142	
Oil Seal	60	— ⁽³⁾	— ⁽³⁾	37194	
KIT – Inner Wheel Bearing	61	— ⁽³⁾	— ⁽³⁾	706070X	
KIT – Outer Wheel Bearing	64	— ⁽³⁾	— ⁽³⁾	706237X	
Inner Wheel Bearing Nut	65	— ⁽³⁾	— ⁽³⁾	30991	
Outer Wheel Bearing Nut	"	— ⁽³⁾	— ⁽³⁾	30990	
Lockwasher – Wheel Bearing Nut	66	— ⁽³⁾	— ⁽³⁾	30990	
Axle Drive Flange Gasket	67	— ⁽³⁾	— ⁽³⁾	31866	
Axle Drive Flange & Plug Assy. (inc 71)	68	— ⁽³⁾	— ⁽³⁾	26049X	
Axle Drive Flange Pug	69	500166-25	500166-25	500166-27	

(3) Contact Vehicle Manufacturer for Service

(9) 31005-1 .005 thickness; 31005-2 .010 thickness; 31005-3 .030 thickness; 31005-4 .003 thickness

Dodge Model 70 Front Axles Kit Components

ITEM NO.	DESCRIPTION	ITEM NO.	DESCRIPTION	ITEM NO.	DESCRIPTION
Drive Pinion & Gear Assembly		Differential Case Assembly (Powr-Lok)		Differential Parts (standard) (1 piece Case)	
2	Drive Pinion & Gear Assembly	15	Carrier Cover Gasket / Sealant	15	Carrier Cover Gasket / Sealant
3	KIT – Inner Pinion Bearing	20	KIT – Differential Bearing	23	Bolt – Drive Gear
4	Inner Pinion Shims	21	Shim – Differential Bearing	24	Pinion – Differential
5	Baffle – Pinion Bearing	23	Bolt – Drive Gear	25	Gear – Differential
6	Outer Pinion Shims	72	Flange Half – Differential Case	26	Thrustwasher – Diff. Pinion
7	KIT – Outer Pinion Bearing	73	Cap Half – Differential Case	27	Thrustwasher – Diff. Gear
8	Slinger – Outer Pinion Bearing	74	Shaft – Differential	28	Shaft – Differential Pinion
9	Seal – Pinion Oil	75	Pinion – Differential	29	Lock – Differential Shaft
11	Washer – Pinion Nut	76	Gear – Differential		
12	Pinion Nut	77	Ring – Differential Gear		
15	Carrier Cover Gasket / Sealant	78	Plate – Differential	Differential Parts (standard) (2 piece Case)	
21	Shim – Differential Bearing	79	Disc – Differential	15	Carrier Cover Gasket / Sealant
23	Bolt – Drive Gear	80	Disc – Differential (dished)	23	Bolt – Drive Gear
		81	Plate – Differential (dished)	24	Pinion – Differential
		82	Bolt – Differential Case	25	Gear – Differential
Differential Case Assembly (standard) (1 piece Case)		Differential Case (standard) (1 piece Case)		26	Thrustwasher – Diff. Pinion
15	Carrier Cover Gasket / Sealant	15	Carrier Cover Gasket / Sealant	27	Thrustwasher – Diff. Gear
20	KIT – Differential Bearing	21	Shim – Differential Bearing	74	Shaft – Differential Pinion
21	Shim – Differential Bearing	22	Case – Differential	Differential Parts (Powr-Lok)	
22	Case – Differential	23	Bolt – Drive Gear	15	Carrier Cover Gasket / Sealant
23	Bolt – Drive Gear	29	Lock – Differential Shaft	74	Shaft – Differential
24	Pinion – Differential	Differential Case (standard) (2 piece Case)		75	Pinion – Differential
25	Gear – Differential	15	Carrier Cover Gasket / Sealant	76	Gear – Differential
26	Thrustwasher – Diff. Pinion	21	Shim – Differential Bearing	77	Ring – Differential Gear
27	Thrustwasher – Diff. Gear	23	Bolt – Drive Gear	78	Plate – Differential
28	Shaft – Differential Pinion	72	Flange Half – Differential Case	79	Disc – Differential
29	Lock – Differential Shaft	73	Cap Half – Differential Case	80	Disc – Differential (dished)
		82	Bolt – Differential Case	81	Plate – Differential (dished)
Differential Case Assembly (standard) (2 piece Case)		Differential Case (Powr-Lok)			
15	Carrier Cover Gasket / Sealant	15	Carrier Cover Gasket / Sealant		
20	KIT – Differential Bearing	21	Shim – Differential Bearing		
21	Shim – Differential Bearing	23	Bolt – Drive Gear		
23	Bolt – Drive Gear	72	Flange Half – Differential Case		
24	Pinion – Differential	73	Cap Half – Differential Case		
25	Gear – Differential	82	Bolt – Differential Case		
26	Thrustwasher – Diff. Pinion				
27	Thrustwasher – Differential Gear				
72	Flange Half – Differential Case				
73	Cap Half – Differential Case				
74	Shaft – Differential Pinion				
82	Bolt – Differential Case				

When replacing Carrier Cover Gasket, replace with same type originally used. RTV tube gasket recommended for use on flat flange type cover. Paper or cork gasket recommended for use on ribbed flange cover.

Axle Shaft Dimensions

Complete Assembly Number	Inner Shaft - Side Gear End			Outer Shaft - Spline End			Axle Shaft & Joint Assembly		
	Major Spline Diameter	Centerline to End of Spline	Yoke Shaft Part Number	Major Spline Diameter	Centerline to End of Spline	Yoke Shaft Part Number	Side	Overall Length	Cross & Bearing Kit
902252-10	1 1/2" -35	22 1/2"	3-82-581-10	1 1/2" -35	11 1/32"	3-82-591	Right	33 17/32"	5-88X
902252-11	1 1/2" -35	39 1/2"	3-82-581-11	1 1/2" -35	11 1/32"	3-82-591	Left	50 17/32"	5-88X

Dodge / Chrysler 1967-1978

Model 70 Rear Axles for

CB300 & MB300 HD Van & Motor Home

CB400 & MB400 Motor Home

D300 Sweptline Pick-up

D300. M300 & W200 1 Ton Pick-up & Motor Home

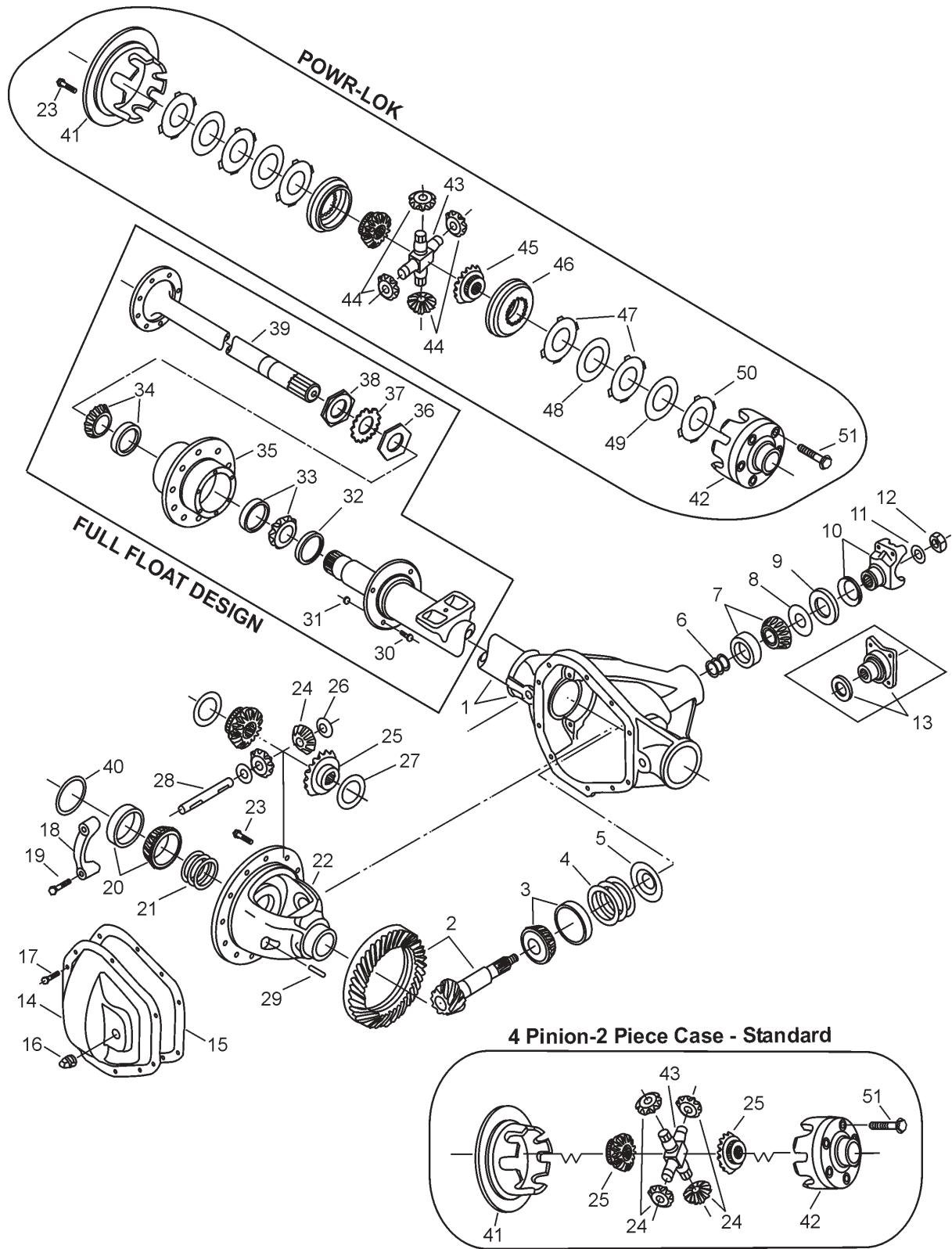
RM400 & RM500 Motor Home

W200 1 Ton Pick-up & Single & Dual Wheel

M300 & P300 Motor Home & Delivery Van

Dodge Model 70 Rear Axles

Exploded View



Dodge Model 70 Rear Axles Parts Listing

ITEM NO.	PART IDENTIFICATION	ITEM NO.	PART IDENTIFICATION	ITEM NO.	PART IDENTIFICATION
1 ⁽¹⁾	Housing – Axle Service	19 ⁽²⁾	Bolt – Differential Bearing Cap	37 ⁽¹⁾	Lockwasher – Spindle Nut
2	Drive Pinion & Gear Assembly	20	KIT – Differential Bearing	38 ⁽¹⁾	Spindle Nut – Outer
3	KIT – Inner Pinion Bearing	21	Shim – Differential Bearing	39	Shaft – Axle Flanged Drive
4	Shim – Drive Pinion	22	Case – Differential	40	Spacer – Differential Bearing
5	Baffle – Pinion Bearing	23	Bolt – Drive Gear	Power-Lok & Trak-Lok Differential	
6	Shim – Pinion Bearing	24	Pinion – Differential		
7	KIT – Outer Pinion Bearing	25	Gear – Differential	41	Flange Half - Differential Case
8	Slinger – Outer Pinion Bearing	26	Thrustwasher – Diff. Pinion	42	Cap Half – Differential Case
9	Seal – Pinion Oil	27	Thrustwasher – Differential Gear	43	Shaft – Differential
10 ⁽²⁾	End Yoke Assembly	28	Shaft – Differential Pinion	44	Pinion – Differential
11	Washer – Pinion Nut	29	Lock – Differential Shaft	45	Gear – Differential
12	Pinion Nut	30 ⁽¹⁾	Brake Mounting Bolt	46	Ring – Differential
13 ⁽²⁾	Companion Flange Assembly	31 ⁽¹⁾	Brake Mounting Nut	47	Plate – Differential
14	Carrier Cover	32 ⁽¹⁾	Hub Seal	48	Disc – Differential
15	Carrier Cover Gasket / Sealant	33 ⁽¹⁾	KIT – Inner Wheel Bearing	49	Disc – Differential (dished)
16	Plug – Carrier Cover	34 ⁽¹⁾	KIT – Outer Wheel Bearing	50	Plate – Differential (dished)
17	Bolt – Carrier Cover	35 ⁽¹⁾	Wheel Hub	51	Bolt – Differential Case
18 ⁽²⁾	Differential Bearing Cap	36 ⁽¹⁾	Spindle Nut – Inner		

(1) Contact Vehicle Manufacturer

(2) See Spicer Driveline Catalog J300P Section 10

Check availability on all Powr-Lok parts before ordering

Common Axle Kits - Use with All Applications

ITEM NO.	DESCRIPTION	KIT PART NUMBER	ITEM NO.	DESCRIPTION	KIT PART NUMBER
Inner Pinion Bearing		706060X	Differential Bearing Adjusting Shim		706378X⁽¹⁰⁾
3	KIT – Inner Pinion Bearing		15	Carrier Cover Gasket / Sealant	
Outer Pinion Bearing		706045X	21	Shim – Differential Bearing	
7	KIT – Outer Pinion Bearing		Differential & Pinion Shim		706213X⁽¹¹⁾
Outer Pinion Bearing		706047X⁽⁹⁾	4	Shim – Drive Pinion Adjusting	
20	KIT – Differential Bearing		6	Shim – Pinion Bearing Adjusting	
Pinion & Bearing Adjusting Shim		706357X	11	Washer – Pinion Nut	
4	Shim – Drive Pinion Adjusting		12	Pinion Nut	
6	Shim – Pinion Bearing Adjusting		15	Carrier Cover Gasket / Sealant	
12	Pinion Nut		21	Shim – Differential Bearing	
15	Carrier Cover Gasket / Sealant				

When replacing Carrier Cover Gasket, replace with same type originally used. RTV tube gasket recommended for use on flat flange type cover. Paper or cork gasket recommended for use on ribbed flange cover.

(9) On Bills of Material 603019, 603378, 603547, 603652, 603872 use Kit Number 706070X

(10) On Bills of Material 603019, 603378, 603547, 603652, 603872 use Kit Number 706073X

(11) On Bills of Material 603652, 603872 use Kit Number 706077X

Dodge Model 70 Rear Axles

Bill of Material Table

Axle			Axle Kits				Shaft & Joint Assy.	
Bill of Material	Diff. Type	Ratio	Ring Gear & Pinion Kit ⁽⁷⁾	Differential			Right Hand Shaft Assy.	Left Hand Shaft Assy.
				Case Assy. Kit ⁽⁸⁾	Case Kit	Inner Parts Kit		
1973-75 CB300 & MB300 Heavy Duty Van & Motor Home								
603431-1	Standard	4.10	706048-2X	706051X	706055X	706058X	35091-9	35091-9
603431-2	Standard	4.10	706048-2X	706081X	706083X	706085X	35091-9	35091-9
1974-75 CB300 & MB300 Heavy Duty Van & Motor Home								
603515-1	Standard	4.10	706048-2X	706081X	706083X	706085X	35091-11	35091-12
603515-2	Standard	4.10	706048-2X	706051X	706055X	706058X	35091-11	35091-12
603515-3	Standard	4.10	706048-2X	706049X	706053X	706057X	35091-11	35091-12
1976-78 CB300 & MB300 Heavy Duty Van & Motor Home								
603649-2	Standard	4.10	706048-2X	706051X	706055X	706058X	35091-11	35091-12
603649-3	Powr-Lok	4.10	706048-2X	706049X	706053X	706057X	35091-11	35091-12
1974-75 D300 Sweptline Pick-up								
603436-1	Standard	4.10	706048-2X	706051X	706055X	706058X	35091-10	35091-10
603436-2	Standard	4.10	706048-2X	706051X	706055X	706058X	35091-10	35091-10
603436-3	Powr-Lok	4.10	706048-2X	706049X	706053X	706057X	35091-10	35091-10
603436-4	Powr-Lok	4.10	706048-2X	706049X	706053X	706057X	35091-10	35091-10
1976-78 D300 Sweptline Pick-up								
603396-1	Standard	4.10	706048-2X	706051X	706055X	706058X	35091-10	35091-10
603396-2	Powr-Lok	4.10	706048-2X	706049X	706053X	706057X	35091-10	35091-10
603396-3	Standard	4.10	706048-2X	706051X	706055X	706058X	35091-10	35091-10
1968-71 D300, M300 & W300 1 Ton Pick-up & Motor Home								
603018-1	Standard	4.10	706048-2X	706081X	706083X	706085X	35091-1	35091-1
603018-2	Standard	4.88	706048-4X	706082X	706084X	706085X	35091-1	35091-1
603018-3	Powr-Lok	4.88	706048-4X	706050X	706054X	706057X	35091-1	35091-1
603018-4	Standard	4.88	706048-4X	706082X	706084X	706085X	35091-1	35091-1
603018-5	Powr-Lok	4.88	706048-4X	706050X	706054X	706057X	35091-1	35091-1
603018-6	Standard	4.56	706048-3X	706082X	706084X	706085X	35091-1	35091-1
603018-7	Powr-Lok	4.56	706048-3X	706050X	706054X	706057X	35091-1	35091-1
603018-8	Standard	4.10	706048-2X	706081X	706083X	706085X	35091-1	35091-1
603018-9	Standard	5.86	706048-6X	706082X	706084X	706085X	35091-1	35091-1
603018-10	Standard	5.86	706048-6X	706082X	706084X	706085X	35091-1	35091-1
603018-12	Standard	4.56	706048-3X	706082X	706084X	706085X	35091-1	35091-1
603018-11	Standard	7.17	706048-8X	706082X	706084X	706085X	35091-1	35091-1
603018-13	Powr-Lok	4.56	706048-3X	706050X	706054X	706057X	35091-1	35091-1
603018-14	Powr-Lok	5.86	706048-6X	706050X	706054X	706057X	35091-1	35091-1
603018-15	Powr-Lok	5.86	706048-6X	706050X	706054X	706057X	35091-1	35091-1
603018-16	Powr-Lok	4.10	706048-2X	706049X	706053X	706057X	35091-1	35091-1
1971 1/2-75 D300 & W300 1 Ton Pick-up & Single & Dual Wheel								
603242-1	Standard	4.10	706048-2X	706081X	706083X	706085X	35091-4	35091-4
603242-2	Powr-Lok	4.10	706048-2X	706049X	706053X	706057X	35091-4	35091-4
603242-3	Standard	4.56	706048-3X	706082X	706084X	706085X	35091-4	35091-4
603242-4	Powr-Lok	4.56	706048-3X	706050X	706054X	706057X	35091-4	35091-4
603242-5	Standard	4.88	706048-4X	706082X	706084X	706085X	35091-4	35091-4
603242-6	Powr-Lok	4.88	706048-4X	706050X	706054X	706057X	35091-4	35091-4
603242-7	Standard	4.88	706048-4X	706082X	706084X	706085X	35091-4	35091-4
603242-8	Powr-Lok	4.88	706048-4X	706050X	706054X	706057X	35091-4	35091-4
603242-9	Standard	5.86	706048-6X	706082X	706084X	706085X	35091-4	35091-4
603242-10	Standard	4.10	706048-2X	706081X	706083X	706085X	35091-4	35091-4
603242-11	Powr-Lok	4.10	706048-2X	706049X	706053X	706057X	35091-4	35091-4

Continued on next page

(7) See Ring Gear & Pinion Kits in XGI Catalog for ratio & tooth combinations.
 (8) See Differential Case Assy Kits in XGI Catalog for spline data & ratios.
 (9) Use Internal Parts from Case Assembly.

Dodge Model 70 Rear Axles

Bill of Material Table

Axle			Axle Kits				Shaft & Joint Assy.	
Bill of Material	Diff. Type	Ratio	Ring Gear & Pinion Kit ⁽⁷⁾	Differential			Right Hand Shaft Assy.	Left Hand Shaft Assy.
				Case Assy. Kit ⁽⁸⁾	Case Kit	Inner Parts Kit		
1971 1/2-75 D300 & W300 1 Ton Pick-up & Single & Dual Wheel (Continued)								
603242-12	Powr-Lok	4.56	706048-6X	706050X	706054X	706057X	35091-4	35091-4
603242-13	Standard	4.88	706048-4X	706082X	706084X	706085X	35091-4	35091-4
603242-14	Standard	7.17	706048-8X	706082X	706084X	706085X	35091-4	35091-4
603242-15	Standard	4.56	706048-3X	706082X	706084X	706085X	35091-4	35091-4
603242-16	No Spin	4.88	706048-4X	—	—	—	35091-4	35091-4
603242-17	No Spin	4.10	706048-2X	—	—	—	35091-4	35091-4
603242-18	Powr-Lok	4.56	706048-6X	706050X	706054X	706057X	35091-4	35091-4
603242-19	Powr-Lok	4.56	706048-3X	706050X	706054X	706057X	35091-4	35091-4
603242-20	Standard	4.10	706048-2X	706051X	706055X	706058X	35091-4	35091-4
603242-21	Standard	4.56	706048-3X	706052X	706056X	706058X	35091-4	35091-4
603242-22	Standard	4.88	706048-4X	706052X	706056X	706058X	35091-4	35091-4
603242-23	Standard	4.88	706048-4X	706052X	706056X	706058X	35091-4	35091-4
603242-24	Standard	5.86	706048-6X	706082X	706084X	706085X	35091-4	35091-4
603242-25	Standard	4.10	706048-2X	706051X	706055X	706058X	35091-4	35091-4
603242-27	Standard	7.17	706048-8X	706052X	706056X	706058X	35091-4	35091-4
603242-29	Standard	5.89	706048-6X	706052X	706056X	706058X	35091-4	35091-4
603242-30	Standard	5.89	706048-6X	706052X	706056X	706058X	35091-4	35091-4
603242-31	Standard	5.13	706048-5X	706052X	706056X	706058X	35091-4	35091-4
1976-78 D300 & W300 1 Ton Pick-up & Single & Dual Wheel								
603695-1	Standard	4.56	706048-3X	706052X	706056X	706058X	35091-4	35091-4
603695-2	Standard	4.88	706048-4X	706052X	706056X	706058X	35091-4	35091-4
603695-3	Powr-Lok	4.56	706048-3X	706050X	706054X	706057X	35091-4	35091-4
603695-4	Powr-Lok	4.88	706048-4X	706050X	706054X	706057X	35091-4	35091-4
603695-5	Standard	4.10	706048-2X	706051X	706055X	706058X	35091-4	35091-4
603695-6	Standard	4.10	706048-2X	706049X	706053X	706057X	35091-4	35091-4
603695-7	Standard	7.17	706048-8X	706052X	706056X	706058X	35091-4	35091-4
603695-8	Standard	5.86	706048-6X	706052X	706056X	706058X	35091-4	35091-4
603695-9	Standard	4.10	706048-2X	706051X	706055X	706058X	35091-4	35091-4
1971-75 M300 & P300 Motor Home & Delivery Van								
603285-1	Standard	4.10	706048-2X	706081X	706083X	706085X	35091-1	35091-1
603285-2	Standard	4.10	706048-2X	706081X	706083X	706085X	35091-1	35091-1
603285-3	Standard	4.56	706048-3X	706082X	706084X	706085X	35091-1	35091-1
603285-4	Standard	4.56	706048-3X	706082X	706084X	706085X	35091-1	35091-1
603285-5	Powr-Lok	4.56	706048-3X	706050X	706054X	706057X	35091-1	35091-1
603285-6	Powr-Lok	4.56	706048-3X	706050X	706054X	706057X	35091-1	35091-1
603285-7	Standard	4.88	706048-4X	706082X	706084X	706085X	35091-1	35091-1
603285-8	Powr-Lok	4.88	706048-4X	706050X	706054X	706057X	35091-1	35091-1
603285-9	Standard	5.86	706048-6X	706082X	706084X	706085X	35091-1	35091-1
603285-10	Powr-Lok	5.86	706048-6X	706050X	706054X	706057X	35091-1	35091-1
603285-12	Standard	4.10	706048-2X	706081X	706083X	706085X	35091-1	35091-1
603285-14	Standard	4.56	706048-3X	706052X	706056X	706058X	35091-1	35091-1
603285-15	Standard	4.88	706048-4X	706052X	706056X	706058X	35091-1	35091-1
603285-16	Standard	8.86	706048-6X	706052X	706056X	706058X	35091-1	35091-1
603285-17	No Spin	4.88	706048-4X	—	—	—	35091-1	35091-1

(7) See Ring Gear & Pinion Kits in XGI Catalog for ratio & tooth combinations.

(8) See Differential Case Assy Kits in XGI Catalog for spline data & ratios.

(9) Use Internal Parts from Case Assembly.

Dodge Model 70 Rear Axles

Bill of Material Table

Axle			Axle Kits				Shaft & Joint Assy.	
Bill of Material	Diff. Type	Ratio	Ring Gear & Pinion Kit ⁽⁷⁾	Differential			Right Hand Shaft Assy.	Left Hand Shaft Assy.
				Case Assy. Kit ⁽⁸⁾	Case Kit	Inner Parts Kit		
1976-78 P300 Delivery Van - 1 Piece Case								
603653-1	Standard	4.10	706048-2X	706051X	706055X	706058X	35091-1	35091-1
603653-2	Standard	4.56	706048-3X	706052X	706056X	706058X	35091-1	35091-1
603653-3	Standard	4.88	706048-4X	706052X	706056X	706058X	35091-1	35091-1
603653-4	Standard	5.86	706048-6X	706052X	706056X	706058X	35091-1	35091-1
1978 CB300 & MB300 Motor Home - 1 Piece Case								
603872-1	Standard	4.10	706048-2X	706064X	706068X	706058X	35091-17	35091-18
603872-2	Standard	4.56	706048-3X	706065X	706069X	706058X	35091-17	35091-18
1967-73 RM400 Motor Home 70HD - 2 Piece Case								
603019-1	Standard	4.88	706048-4X	706097X	706098X	706085X	35103-1	35103-1
603019-2	Powr-Lok	4.56	706048-4X	706063X	706067X	706057X	35103-1	35103-1
603019-3	Standard	4.56	706048-3X	706097X	706098X	706085X	35103-1	35103-1
603019-4	Powr-Lok	4.56	706048-3X	706063X	706067X	706057X	35103-1	35103-1
603019-5	Standard	4.10	706048-2X	706186X	706185X	706085X	35103-1	35103-1
603019-7	Standard	4.88	706048-4X	706097X	706098X	706085X	35103-1	35103-1
603019-8	Powr-Lok	4.56	706048-4X	706063X	706067X	706057X	35103-1	35103-1
603019-9	Standard	7.17	706048-8X	706097X	706098X	706085X	35103-1	35103-1
603019-10	Standard	5.86	706048-6X	706097X	706098X	706085X	35103-1	35103-1
603019-11	Standard	4.56	706048-3X	706097X	706098X	706085X	35103-1	35103-1
603019-12	Standard	3.73	706048-1X	706186X	706185X	706085X	35103-1	35103-1
1972-75 70 B								
603337-3	Standard	4.56	706048-3X	706052X	706056X	706058X	35091-1	35091-1
603337-7	Standard	4.88	706048-4X	706052X	706056X	706058X	35091-1	35091-1
603337-9	Standard	4.56	706048-3X	706052X	706056X	706058X	35091-1	35091-1
603337-10	Standard	4.56	706048-3X	706052X	706056X	706058X	35091-1	35091-1
603337-11	Standard	4.88	706048-4X	706052X	706056X	706058X	35091-1	35091-1
603337-12	Standard	4.56	706048-3X	706052X	706056X	706058X	35091-1	35091-1
1976-78 2 Piece Case								
603651-1	Standard	4.88	706048-4X	706052X	706084X	706085X	35091-1	35091-1
603651-2	Standard	4.56	706048-3X	706052X	706084X	706085X	35091-1	35091-1
1972-74 RM500 Motor Home								
603378-3	Standard	4.56	706048-4X	706097X	706098X	706099X	35103-1	35103-1
603378-5	Standard	4.56	706048-4X	706097X	706098X	706099X	35103-1	35103-1
603378-6	Standard	4.56	706048-3X	706065X	706069X	706058X	35103-1	35103-1
1974 1/2-75 RM500 Motor Home - 1 Piece Case								
603547-6	Standard	4.56	706061-3X	706065X	706069X	706058X	35103-1	35103-1
1976-78 RM500 Motor Home								
603652-6	Standard	4.56	706061-3X	706065X	706069X	706058X	35103-1	35103-1
603652-8	Standard	4.56	706061-3X	706097X	706098X	706085X	35103-1	35103-1
603652-9	Powr-Lok	5.86	706061-6X	706063X	706067X	706057X	35103-1	35103-1

(7) See Ring Gear & Pinion Kits in XGI Catalog for ratio & tooth combinations.

(8) See Differential Case Assy Kits in XGI Catalog for spline data & ratios.

(9) Use Internal Parts from Case Assembly.

Dodge Model 70 Rear Axles Axle Shaft Dimensions

Part Number	Spline		Flange Face to End of Spline	Flange Diameter	Bolts	
	Diameter & No. of Splines	Length			Circle Diameter	Number of Bolt Holes
35091-1	1 1/2" -35	1 5/8"	36 1/2"	4 3/4"	3 31/32"	8
35091-4	1 1/2" -35	1 5/8"	37 11/32"	4 3/4"	3 31/32"	8
35091-9	1 1/2" -35	1 5/8"	39 3/64"	4 3/4"	3 31/32"	8
35091-10	1 1/2" -35	1 5/8"	39 27/32"	4 3/4"	3 31/32"	8
35091-11	1 1/2" -35	1 5/8"	36 11/64"	4 3/4"	3 31/32"	8
35091-12	1 1/2" -35	1 5/8"	41 59/64"	4 3/4"	3 31/32"	8
35091-17	1 1/2" -35	1 5/8"	38 15/64"	4 3/4"	3 31/32"	8
35091-18	1 1/2" -35	1 5/8"	43 63/64"	4 3/4"	3 31/32"	8
35103-1	1 1/2" -35	1 5/8"	36 5/16"	5 1/4"	4 3/8"	6

Carrier Cover Part Numbers

BILL OF MATERIAL BASE NUMBER	Carrier Cover Kit Part Number
Axle B.M. 603242, 603377, 603378, 603431, 603436, 603515, 603547	706080X
Axle B.M. 603651, 603652, 603695, 603696, 603872	706689X
Axle B.M. 603018, 603019, 603285, 603653	706059X

Dodge Model 70 Rear Axles Kit Components

ITEM NO.	DESCRIPTION	ITEM NO.	DESCRIPTION	ITEM NO.	DESCRIPTION
Carrier Cover		Differential Case Assembly (standard) (2 piece Case)		Differential Case (standard) (2 piece Case)	
14	Carrier Cover	15	Carrier Cover Gasket / Sealant	15	Carrier Cover Gasket / Sealant
15	Carrier Cover Gasket / Sealant	20	KIT – Differential Bearing	21	Shim – Differential Bearing
16	Plug – Carrier Cover	21	Shim – Differential Bearing	23	Bolt – Drive Gear
17	Bolt – Carrier Cover	23	Bolt – Drive Gear	41	Flange Half – Differential Case
Drive Pinion & Gear Assembly		24	Pinion – Differential	42	Cap Half – Differential Case
2	Drive Pinion & Gear Assembly	25	Gear – Differential	51	Bolt – Differential Case
3	KIT – Inner Pinion Bearing	26	Thrustwasher – Diff. Pinion	Differential Case (Powr-Lok)	
4	Inner Pinion Shims	27	Thrustwasher – Diff. Gear	15	Carrier Cover Gasket / Sealant
5	Baffle – Pinion Bearing	40	Spacer – Differential Bearing	21	Shim – Differential Bearing
6	Outer Pinion Shims	41	Flange Half – Differential Case	23	Bolt – Drive Gear
7	KIT – Outer Pinion Bearing	42	Cap Half – Differential Case	41	Flange Half – Differential Case
8	Slinger – Outer Pinion Bearing	43	Shaft – Differential Pinion	42	Cap Half – Differential Case
9	Seal – Pinion Oil	51	Bolt – Differential Case	51	Bolt – Differential Case
11	Washer – Pinion Nut	Differential Case Assembly (Powr-Lok)		Differential Parts (standard)	
12	Pinion Nut	15	Carrier Cover Gasket / Sealant	15	Carrier Cover Gasket / Sealant
15	Carrier Cover Gasket / Sealant	20	KIT – Differential Bearing	23	Bolt – Drive Gear
21	Shim – Differential Bearing	21	Shim – Differential Bearing	24	Pinion – Differential
23	Bolt – Drive Gear	23	Bolt – Drive Gear	25	Gear – Differential
40	Spacer – Differential Bearing	40	Spacer – Differential Bearing	26	Thrustwasher – Diff. Pinion
Differential Case Assembly (standard) (1 piece Case)		41	Flange Half – Differential Case	27	Thrustwasher – Diff. Gear
15	Carrier Cover Gasket / Sealant	42	Cap Half – Differential Case	28/43	Shaft – Differential Pinion
20	KIT – Differential Bearing	43	Shaft – Differential	29	Lock – Differential Shaft
21	Shim – Differential Bearing	44	Pinion – Differential	Differential Parts (Powr-Lok)	
22	Case – Differential	45	Gear – Differential	15	Carrier Cover Gasket / Sealant
23	Bolt – Drive Gear	46	Ring – Differential Gear	43	Shaft – Differential
24	Pinion – Differential	47	Plate – Differential	44	Pinion – Differential
25	Gear – Differential	48	Disc – Differential	45	Gear – Differential
26	Thrustwasher – Diff. Pinion	49	Disc – Differential (dished)	46	Ring – Differential Gear
27	Thrustwasher – Diff. Gear	50	Plate – Differential (dished)	47	Plate – Differential
28	Shaft – Differential Pinion	51	Bolt – Differential Case	48	Disc – Differential
29	Lock – Differential Shaft	Differential Case (standard) (1 piece Case)		49	Disc – Differential (dished)
40	Spacer – Differential Bearing	15	Carrier Cover Gasket / Sealant	50	Plate – Differential (dished)
		21	Shim – Differential Bearing		
		22	Case – Differential		
		23	Bolt – Drive Gear		
		29	Lock – Differential Shaft		

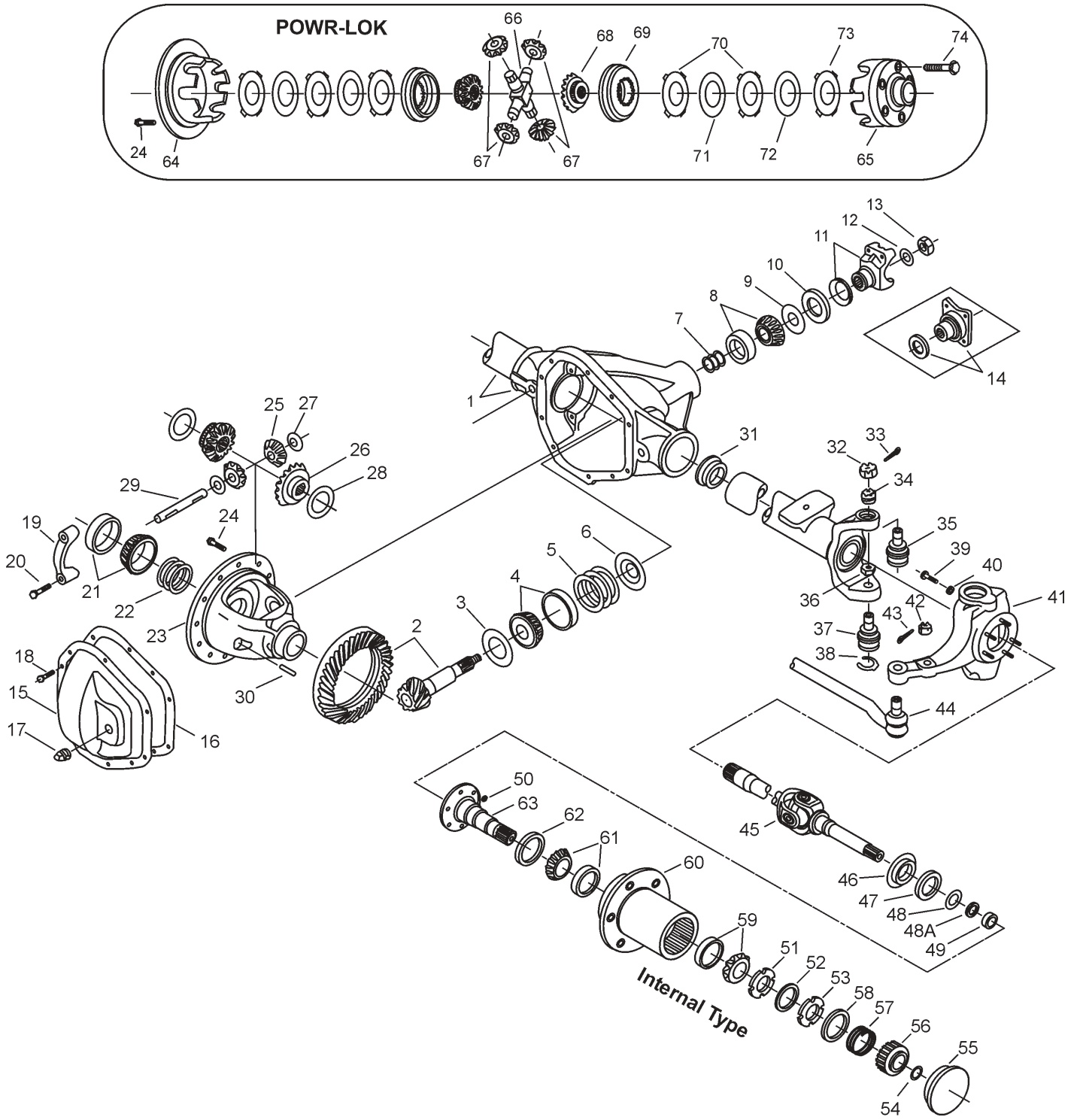
When replacing Carrier Cover Gasket, replace with same type originally used. RTV tube gasket recommended for use on flat flange type cover. Paper or cork gasket recommended for use on ribbed flange cover.

Ford 1967-1971

Model 30 Front Axles for

U-100 Bronco

Ford Model 30 Front Axles Exploded View



Ford Model 30 Front Axles Parts Listing



ITEM NO.	PART IDENTIFICATION	ITEM NO.	PART IDENTIFICATION	ITEM NO.	PART IDENTIFICATION
1 ⁽¹⁾	Housing – Axle Service	26	Gear – Differential	52	Lock Nut
2	Drive Pinion & Gear Assembly	27	Thrustwasher – Diff. Pinion	53	Wheel Bearing Adjusting Nut
3	Slinger – Inner Pinion Bearing	28	Thrustwasher – Diff. Gear	54	Snap Ring
	PKG – Inner Pinion Shim	29	Shaft – Differential Pinion	55	Hub Cap
4	KIT – Inner Pinion Bearing	30	Lock – Differential Shaft	56	Axle Drive Gear
5	Inner Pinion Shims	31 ⁽¹⁾	Seal & Guide Tube	57	Pressure Spring
6	Baffle – Pinion Bearing	32	Nut - Hex Slotted	58	Spring Retaining Plate
7	Outer Pinion Shims	33	Cotter Pin	59	KIT – Outer Wheel Bearing
8	KIT – Outer Pinion Bearing	34	Adjusting Split Ring	60 ⁽¹⁾	Wheel Hub
9	Slinger – Outer Pinion Bearing	35	Upper Socket Assembly	61	KIT – Inner Wheel Bearing
10	Seal – Pinion Oil	36	Lock Nut	62	Oil Seal
11 ⁽²⁾	End Yoke Assembly	37	Lower Socket Assembly	63	Wheel Bearing Spindle
12	Washer – Pinion Nut	38	Snap Ring	Power-Lok & Trak-Lok Differential	
13	Pinion Nut	39	Stop Screw		
14 ⁽²⁾	Companion Flange Assembly	40	Jam Nut		
	KIT – Carrier Cover	41	Knuckle Assembly	64	Flange Half – Differential Case
15	Carrier Cover	42 ⁽¹⁾	Nut - Hex Slotted	65	Cap Half – Differential Case
16	Carrier Cover Gasket / Sealant	43 ⁽¹⁾	Cotter Pin	66	Shaft – Differential
17	Plug – Carrier Cover	44 ⁽¹⁾	Tie Rod Assembly	67	Pinion – Differential
18	Bolt – Carrier Cover	45	Shaft & Joint Assembly	68	Gear – Differential
19 ⁽¹⁾	Differential Bearing Cap	46	Slinger – Spindle Yoke	69	Ring – Differential Gear
20 ⁽¹⁾	Bolt – Differential Bearing Cap		(pressed on axle shaft if used)	70	Plate – Differential
21	KIT – Differential Bearing	47	Oil Seal	71	Disc – Differential
22	Shim – Differential Bearing	48	Spacer – Wheel Bearing Spindle	72	Disc – Differential (dished)
	PKG – Diff. Bearing Shim	48A	Oil Seal - Block Vee	73	Plate – Differential (dished)
23	Case – Differential	49	Needle Bearing Assembly	74	Bolt – Differential Case
24	Bolt – Drive Gear	50	Brake Mounting Nut		
25	Pinion – Differential	51	Nut & Pin Assembly – Inner Lock		

(1) Contact Vehicle Manufacturer

(2) See Spicer Driveline Catalog J300P Section 10
Check availability on all Powr-Lok parts before ordering

Ford Model 30 Front Axles

Bill of Material Table

Axle			Axle Kits				Shaft & Joint Assy.	
Bill of Material	Diff. Type	Ratio	Ring Gear & Pinion Kit ⁽⁷⁾	Differential			Right Hand Shaft Assy.	Left Hand Shaft Assy.
				Case Assy. Kit ⁽⁸⁾	Case Kit	Inner Parts Kit		
1967 U-100 Bronco								
602905-1	Standard	4.10	706503-4X	706004X	706008X	706010X	901463-1	901463-2
602905-2	Powr-Lok	4.10	706503-4X	706002X	706006X	706009X	901463-1	901463-2
602905-3	Standard	4.10	706503-4X	706004X	706008X	706010X	901463-1	901463-2
602905-4	Standard	4.56	706503-5X	706004X	706008X	706010X	901463-1	901463-2
602905-5	Powr-Lok	4.56	706503-5X	706002X	706006X	706009X	901463-1	901463-2
602905-6	Standard	4.56	706503-5X	706004X	706008X	706010X	901463-1	901463-2
602905-7	Standard	3.50	27606X	706003X	706007X	706010X	901463-1	901463-2
602905-8	Standard	3.50	27606X	706001X	706005X	706009X	901463-1	901463-2
602905-9	Standard	3.50	27606X	706003X	706007X	706010X	901463-1	901463-2
602905-10	Standard	4.10	706503-4X	706004X	706008X	706010X	901463-1	901463-2
602905-11	Standard	4.10	706503-4X	706004X	706008X	706010X	901463-1	901463-2
602905-12	Standard	3.50	27606X	706001X	706005X	706009X	901463-1	901463-2
602905-13	Standard	3.50	27606X	706003X	706007X	706010X	901463-1	901463-2
602905-14	Standard	4.56	706503-5X	706004X	706008X	706010X	901463-1	901463-2
1968 U-100 Bronco								
602963-1	Standard	4.10	706503-4X	706004X	706008X	706010X	902754-1	902754-2
602963-2	Powr-Lok	4.10	706503-4X	706002X	706006X	706009X	902754-1	902754-2
602963-3	Standard	4.10	706503-4X	706004X	706008X	706010X	902754-1	902754-2
602963-4	Standard	4.56	706503-5X	706004X	706008X	706010X	902754-1	902754-2
602963-5	Powr-Lok	4.56	706503-5X	706002X	706006X	706009X	902754-1	902754-2
602963-6	Standard	4.56	706503-5X	706004X	706008X	706010X	902754-1	902754-2
602963-7	Standard	3.50	27606X	706003X	706007X	706010X	902754-1	902754-2
602963-8	Powr-Lok	3.50	27606X	706001X	706005X	706009X	902754-1	902754-2
602963-9	Standard	3.50	27606X	706003X	706007X	706010X	902754-1	902754-2
1968 1/2-69 U-100 Bronco								
602990-1	Standard	4.10	706503-4X	706004X	706008X	706010X	902754-1	902754-2
602990-2	Powr-Lok	4.10	706503-4X	706002X	706006X	706009X	902754-1	902754-2
602990-3	Standard	4.10	706503-4X	706004X	706008X	706010X	902754-1	902754-2
602990-4	Standard	4.56	706503-5X	706004X	706008X	706010X	902754-1	902754-2
602990-5	Powr-Lok	4.56	706503-5X	706002X	706006X	706009X	902754-1	902754-2
602990-6	Standard	4.56	706503-5X	706004X	706008X	706010X	902754-1	902754-2
602990-7	Standard	3.50	27606X	706003X	706007X	706010X	902754-1	902754-2
602990-8	Powr-Lok	3.50	27606X	706001X	706005X	706009X	902754-1	902754-2
602990-9	Standard	3.50	27606X	706003X	706007X	706010X	902754-1	902754-2
602990-10	Standard	4.10	706503-4X	706004X	706008X	706010X	902754-1	902754-2
602990-11	Standard	4.56	706503-5X	706004X	706008X	706010X	902754-1	902754-2
602990-12	Standard	3.50	27606X	706003X	706007X	706010X	902754-1	902754-2
602990-13	Powr-Lok	3.50	27606X	706001X	706005X	706009X	902754-1	902754-2
602990-14	Standard	3.50	27606X	706003X	706007X	706010X	902754-1	902754-2
602990-15	Powr-Lok	3.50	27606X	706001X	706005X	706009X	902754-1	902754-2
602990-16	Powr-Lok	4.10	706503-4X	706002X	706006X	706009X	902754-1	902754-2
602990-17	Standard	4.10	706503-4X	706004X	706008X	706010X	902754-1	902754-2
602990-18	Powr-Lok	4.10	706503-4X	706002X	706006X	706009X	902754-1	902754-2

(7) See Ring Gear & Pinion Kits in XGI Catalog for ratio & tooth combinations.

(8) See Differential Case Assy Kits in XGI Catalog for spline data & ratios.

(9) Use Internal Parts from Case Assembly.

Ford Model 30 Front Axles Bill of Material Table

Axle			Axle Kits				Shaft & Joint Assy.	
Bill of Material	Diff. Type	Ratio	Ring Gear & Pinion Kit ⁽⁷⁾	Differential			Right Hand Shaft Assy.	Left Hand Shaft Assy.
				Case Assy. Kit ⁽⁸⁾	Case Kit	Inner Parts Kit		
1969 1/2-71 U-100 Bronco								
603127-1	Standard	4.10	706503-4X	706004X	706008X	706010X	902754-1	902754-2
603127-2	Powr-Lok	4.10	706503-4X	706002X	706006X	706009X	902754-1	902754-2
603127-3	Standard	4.10	706503-4X	706004X	706008X	706010X	902754-1	902754-2
603127-4	Standard	4.56	706503-5X	706004X	706008X	706010X	902754-1	902754-2
603127-6	Standard	4.56	706503-5X	706004X	706008X	706010X	902754-1	902754-2
603127-7	Standard	3.50	27606X	706003X	706007X	706010X	902754-1	902754-2
603127-8	Powr-Lok	3.50	27606X	706001X	706005X	706009X	902754-1	902754-2
603127-9	Standard	3.50	27606X	706003X	706007X	706010X	902754-1	902754-2
603127-10	Standard	3.50	27606X	706003X	706007X	706010X	902754-1	902754-2
603127-11	Standard	4.10	706503-4X	706004X	706008X	706010X	902754-1	902754-2
603127-12	Powr-Lok	3.50	27606X	706001X	706005X	706009X	902754-1	902754-2
603127-13	Powr-Lok	4.10	706503-4X	706002X	706006X	706009X	902754-1	902754-2

Axle Kits & Parts - Use with All Applications

Description & Item Number (Refer to "Exploded View" at the front of this section)		Bills of Material			
		602905	602963	602990	603127
KIT – Inner Pinion Bearing	4	706015X	706015X	706015X	706015X
Pinion & Bearing Adjusting Shim (inc. items 5, 7, 12, 13, 16)	—	706386X	706386X	706386X	706386X
Differential & Pinion Shim (inc. items 5, 7, 12, 13, 16, 22)	—	706360X	706360X	706360X	706360X
KIT – Outer Pinion Bearing	8	706014X	706014X	706014X	706014X
Carrier Cover (inc. 15, 16, 17, 18)	—	23350X	23350X	23350X	23350X
Differential Bearing Adj. Shim (16 & 22)	—	706087X	706087X	706087X	706087X
KIT – Differential Bearing	21	706016X	706016X	706016X	706016X
Steering Knuckle Assembly (inc. 32, 33, 34, 36, 41, 42)	N.I.	— ⁽³⁾	— ⁽³⁾	— ⁽³⁾	— ⁽³⁾
KIT – Socket Assembly (inc. 32, 33, 34, 35, 36, 37, 38)	N.I.	33774	33774	34982	34982
Stop Screw	39	31026-1	31026-1	31026-1	31026-1
Jam Nut	40	500381-3	500381-3	500381-3	500381-3
KIT – Wheel Bearing Spindle (inc. 47, 48, 48A, 49, 63)	N.I.	27813X	27813X	27813X	27813X
Oil Seal	47	— ⁽³⁾	34783	34783	34783
Spacer – Wheel Bearing Spindle	48	33996	33996	33996	33986
Needle Bearing Assembly	49	550759	550759	550759	550759
Nut - Brake Mounting	50	30688	30688	30688	30688
Nut & Pin Assembly-Inner Lock	51	21588X	21588X	21588X	21588X
Retaining Lock Nut	52	35461	35461	35461	35461
Wheel Bearing Adjusting Nut	53	31139	31139	31139	31139
Snap Ring	54	31624	31624	31624	31624
Hub Cap	55	31552	31552	31552	31552
Axle Drive Gear	56	31125	31125	31125	31125
Pressure Spring	57	—	35218	35218	35218
Plate-Spring Retaining	58	26124X	26124X	26124X	26124X
KIT – Outer Wheel Bearing	59	706111X	706111X	706111X	706111X
KIT – Inner Wheel Bearing	61	706110X	706110X	706110X	706110X
Oil Seal	62	34611	34611	34611	34613
Hub Lock Assembly	N.I.	26133-3X	26133-3X	26133-3X	26133-3X

(3) Contact Vehicle Manufacturer for Service

Ford Model 30 Front Axles Kit Components

ITEM NO.	DESCRIPTION	ITEM NO.	DESCRIPTION	ITEM NO.	DESCRIPTION
Drive Pinion & Gear Assembly		Differential Case Assembly (Powr-Lok)		Differential Parts (standard)	
2	Drive Pinion & Gear Assembly	16	Carrier Cover Gasket / Sealant	16	Carrier Cover Gasket / Sealant
3	Slinger – Inner Pinion Bearing	21	KIT – Differential Bearing	24	Bolt – Drive Gear
4	KIT – Inner Pinion Bearing	22	Shim – Differential Bearing	25	Pinion – Differential
5	Inner Pinion Shims	24	Bolt – Drive Gear	26	Gear – Differential
6	Baffle – Pinion Bearing	64	Flange Half – Differential Case	27	Thrustwasher – Diff. Pinion
7	Outer Pinion Shims	65	Cap Half – Differential Case	28	Thrustwasher – Diff. Gear
8	KIT – Outer Pinion Bearing	66	Shaft – Differential	29	Shaft – Differential Pinion
9	Slinger – Outer Pinion Bearing	67	Pinion – Differential	30	Lock – Differential Shaft
10	Seal – Pinion Oil	68	Gear – Differential	Differential Parts (Powr-Lok)	
12	Washer – Pinion Nut	69	Ring – Differential Gear	16	Carrier Cover Gasket / Sealant
13	Pinion Nut	70	Plate – Differential	66	Shaft – Differential
16	Carrier Cover Gasket / Sealant	71	Disc – Differential	67	Pinion – Differential
22	Shim – Differential Bearing	72	Disc – Differential (dished)	68	Gear – Differential
24	Bolt – Drive Gear	73	Plate – Differential (dished)	69	Ring – Differential Gear
Differential Case Assembly (standard)		74	Bolt – Differential Case	70	Plate – Differential
16	Carrier Cover Gasket / Sealant	Differential Case (standard)		71	Disc – Differential
21	KIT – Differential Bearing	16	Carrier Cover Gasket / Sealant	72	Disc – Differential (dished)
22	Shim – Differential Bearing	22	Shim – Differential Bearing	73	Plate – Differential (dished)
23	Case – Differential	23	Case – Differential		
24	Bolt – Drive Gear	24	Bolt – Drive Gear		
25	Pinion – Differential	30	Lock – Differential Shaft		
26	Gear – Differential	Differential Case (Powr-Lok)			
27	Thrustwasher – Diff. Pinion	16	Carrier Cover Gasket / Sealant		
28	Thrustwasher – Diff. Gear	22	Shim – Differential Bearing		
29	Shaft – Differential Pinion	24	Bolt – Drive Gear		
30	Lock – Differential Shaft	64	Flange Half – Differential Case		
		65	Cap Half – Differential Case		
		74	Bolt – Differential Case		

When replacing Carrier Cover Gasket, replace with same type originally used. RTV tube gasket recommended for use on flat flange type cover. Paper or cork gasket recommended for use on ribbed flange cover.

Axle Shaft Dimensions

Complete Assembly Number	Inner Shaft - Side Gear End			Outer Shaft - Spline End			Axle Shaft & Joint Assembly		
	Major Spline Diameter	Centerline to End of Spline	Yoke Shaft Part Number	Major Spline Diameter	Centerline to End of Spline	Yoke Shaft Part Number	Side	Overall Length	Cross & Bearing Kit
901463-1	1 5/32" -27	28 1/16"	2-82-1001-1	1 1/4" -19	9 23/32"	2-82-1011	Right	37 25/32"	5-260X
901463-2	1 5/32" -27	18 7/16"	2-82-1001-2	1 1/4" -19	9 23/32"	2-82-1011	Left	28 5/32"	5-260X
902754-1	1 5/32" -27	28 1/16"	27657-1X	1 1/4" -19	9 23/32"	2-82-1121	Right	37 25/32"	5-260X
902754-2	1 5/32" -27	18 7/16"	27657-2X	1 1/4" -19	9 23/32"	2-82-1121	Left	28 5/32"	5-260X

Ford 1967-1978

Model 44 Front Axles for

F-100 & F-150 1/2 Ton Pick-up

F-150 Super Cab

F-250 3/4 Ton Pick-up

F-250 3/4 Ton Heavy Duty Pick-up

Bronco II

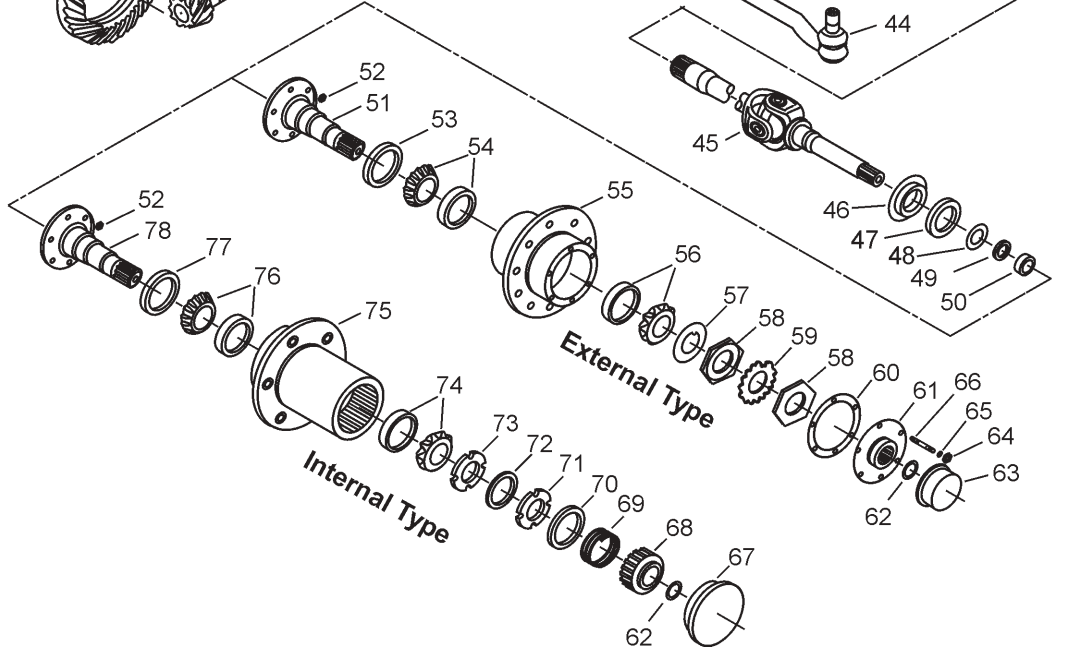
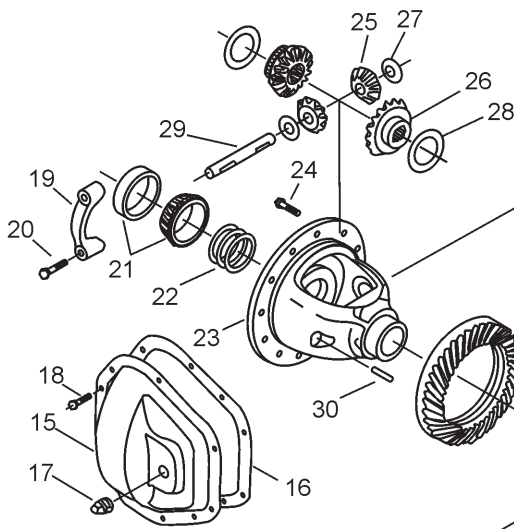
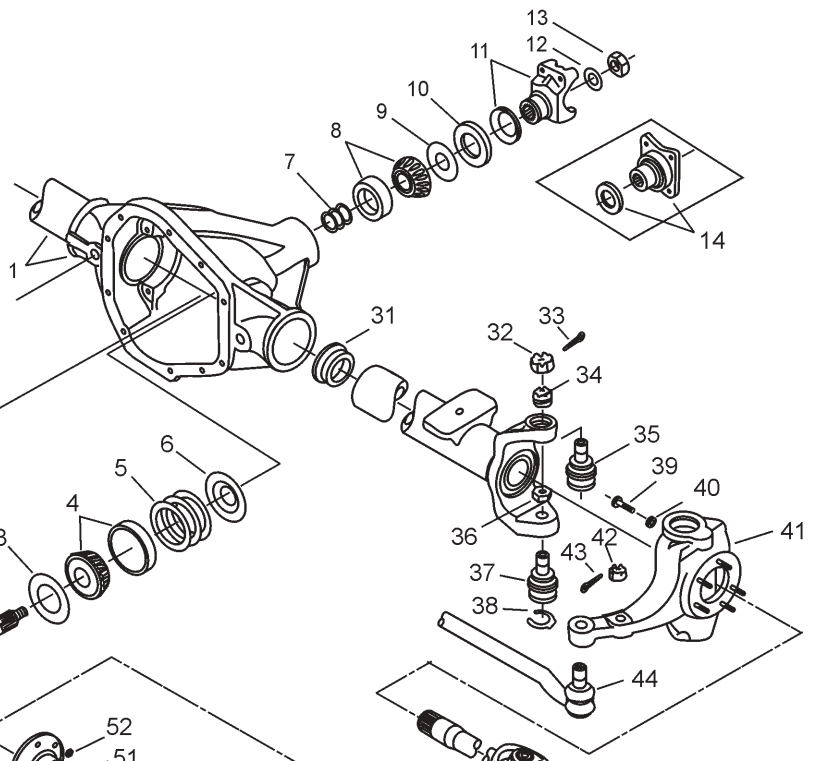
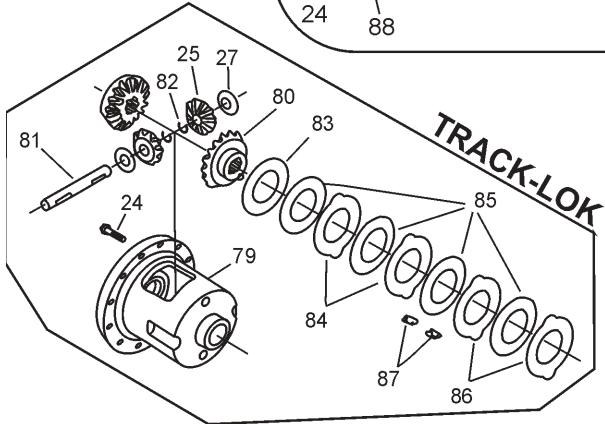
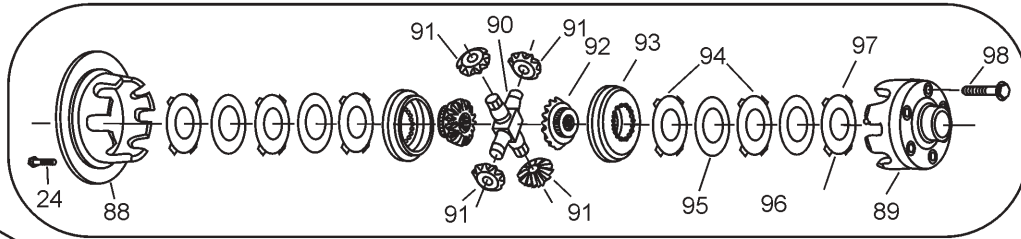
U-100 Bronco

Ford Model 44 Front Axles

Exploded View

X510-9

POWR-LOK



External Type

Internal Type

Ford Model 44 Front Axles Parts Listing

ITEM NO.	PART IDENTIFICATION	ITEM NO.	PART IDENTIFICATION	ITEM NO.	PART IDENTIFICATION
1 ⁽¹⁾	Housing – Axle Service	37	Lower Socket Assembly	72	Lock Nut
2	Drive Pinion & Gear Assembly	38	Snap Ring	73	Nut & Pin Assembly – Inner Lock
3	Slinger – Inner Pinion Bearing	39	Stop Screw	74	KIT – Outer Wheel Bearing
4	KIT – Inner Pinion Bearing	40	Jam Nut	75	Wheel Hub
5	Inner Pinion Shims	41	Knuckle Assembly	76	KIT – Inner Wheel Bearing
6	Baffle – Pinion Bearing	42 ⁽¹⁾	Nut - Hex Slotted	77	Oil Seal
7	Outer Pinion Shims	43 ⁽¹⁾	Cotter Pin	78	Wheel Bearing Spindle
8	KIT – Outer Pinion Bearing	44 ⁽¹⁾	Tie Rod Assembly		
9	Slinger – Outer Pinion Bearing	45	Shaft & Joint Assembly	Power-Lok & Trak-Lok Differential	
10	Seal – Pinion Oil	46	Slinger – Spindle Yoke		
11 ⁽²⁾	End Yoke Assembly		(pressed on axle shaft if used)	79	Case – Differential
12	Washer – Pinion Nut	47	Oil Seal	80	Gear – Differential
13	Pinion Nut	48	Spacer – Wheel Bearing Spindle	81	Shaft – Differential
14 ⁽²⁾	Companion Flange Assembly	49	Oil Seal – Block Vee	82	Snap Ring
15	Carrier Cover	50	Needle Bearing Assembly	83	Spacer – Diff. Gear (dished)
16	Carrier Cover Gasket / Sealant	51	Wheel Bearing Spindle	84	Plate – Differential
17	Plug – Carrier Cover	52	Brake Mounting Nut	85	Disc – Differential
18	Bolt – Carrier Cover	53	Oil Seal	86	Plate – Differential
19 ⁽¹⁾	Differential Bearing Cap	54	KIT – Inner Wheel Bearing	87	Clip – Diff. Clutch Retainer
20 ⁽¹⁾	Bolt – Differential Bearing Cap	55	Wheel Hub	88	Flange Half – Differential Case
21	KIT – Differential Bearing	56	KIT – Outer Wheel Bearing	89	Cap Half – Differential Case
22	Shim – Differential Bearing	57	Wheel Bearing Lockwasher	90	Shaft – Differential
23	Case – Differential	58	Wheel Bearing Nut	91	Pinion – Differential
24	Bolt – Drive Gear	59	Lockwasher – Wheel Brg Nut	92	Gear – Differential
25	Pinion – Differential	60	Drive Flange Gasket	93	Ring – Differential Gear
26	Gear – Differential	61	Axle Drive Flange	94	Plate – Differential
27	Thrustwasher – Diff. Pinion	62	Snap Ring	95	Disc – Differential
28	Thrustwasher – Diff. Gear	63	Hub Cap	96	Disc – Differential (dished)
29	Shaft – Differential Pinion	64	Nut	97	Plate – Differential (dished)
30	Lock – Differential Shaft	65	Lockwasher	98	Bolt – Differential Case
31	Seal & Guide Tube	66	Stud		
32	Nut - Hex Slotted	67	Hub Cap		
33	Cotter Pin	68	Axle Drive Gear		
34	Adjusting Split Ring	69	Pressure Spring		
35	Upper Socket Assembly	70	Spring Retaining Plate		
36	Lock Nut	71	Wheel Bearing Adjusting Nut		

(1) Contact Vehicle Manufacturer

(2) See Spicer Driveline Catalog J300P Section 10
Check availability on all Powr-Lok parts before ordering

Ford Model 44 Front Axles

Bill of Material Table

Axle			Axle Kits				Shaft & Joint Assy.	
Bill of Material	Diff. Type	Ratio	Ring Gear & Pinion Kit ⁽⁷⁾	Differential			Right Hand Shaft Assy.	Left Hand Shaft Assy.
				Case Assy. Kit ⁽⁸⁾	Case Kit	Inner Parts Kit		
1976 F-100 (Full or Part Time Transfer Case)								
603422-5	Standard	4.09	700040-1	706695X	706696X	706616X	660003-1	660003-2
603422-6	Standard	4.09	700040-1	706695X	706696X	706616X	660003-1	660003-2
603422-8	Standard	3.50	700040-3	706614X	706615X	706616X	660003-1	660003-2
603422-9	Standard	3.50	700040-3	706614X	706615X	706616X	660003-1	660003-2
1976 F-100 (Full Time Transfer Case)								
603423-1	Standard	3.50	700040-3	706614X	706615X	706616X	660003-1	660003-2
603423-6	Standard	4.09	700040-1	706695X	706696X	706616X	660003-1	660003-2
1967 F-100 & F-150 1/2 Ton Pick-up (Part Time Transfer Case)								
602906-1	Standard	3.54	706617-13X	706614X	706615X	706616X	901510-1	901510-2
602906-2	Standard	3.73	706617-14X	706614X	706615X	706616X	901510-1	901510-2
602906-3	Standard	4.09	706617-15X	706695X	706696X	706616X	901510-1	901510-2
602906-4	Standard	3.54	706617-13X	706614X	706615X	706616X	901510-1	901510-2
602906-5	Standard	3.73	706617-14X	706614X	706615X	706616X	901510-1	901510-2
602906-6	Standard	4.09	706617-15X	706695X	706696X	706616X	901510-1	901510-2
602906-7	Standard	3.54	706617-13X	706614X	706615X	706616X	901510-1	901510-2
602906-8	Standard	3.73	706617-14X	706614X	706615X	706616X	901510-1	901510-2
602906-9	Standard	4.09	706617-15X	706695X	706696X	706616X	901510-1	901510-2
602906-10	Standard	3.54	706617-13X	706614X	706615X	706616X	901510-1	901510-2
1968 F-100 & F-150 1/2 Ton Pick-up (Part Time Transfer Case)								
602968-1	Standard	3.54	706617-13X	706614X	706615X	706616X	902811-1	902811-2
602968-2	Standard	3.73	706617-14X	706614X	706615X	706616X	902811-1	902811-2
602968-3	Standard	4.09	706617-15X	706695X	706696X	706616X	902811-1	902811-2
602968-4	Standard	3.54	706617-13X	706614X	706615X	706616X	902811-1	902811-2
602968-5	Standard	3.73	706617-14X	706614X	706615X	706616X	902811-1	902811-2
602968-6	Standard	4.09	706617-15X	706695X	706696X	706616X	902811-1	902811-2
1968-69 F-100 & F-150 1/2 Ton Pick-up (Part Time Transfer Case)								
602982-1	Standard	3.54	706617-13X	706614X	706615X	706616X	902811-1	902811-2
602982-2	Standard	3.73	706617-14X	706614X	706615X	706616X	902811-1	902811-2
602982-3	Standard	4.09	706617-15X	706695X	706696X	706616X	902811-1	902811-2
602982-4	Standard	3.54	706617-13X	706614X	706615X	706616X	902811-1	902811-2
602982-5	Standard	3.73	706617-14X	706614X	706615X	706616X	902811-1	902811-2
602982-6	Standard	4.09	706617-15X	706695X	706696X	706616X	902811-1	902811-2
602982-7	Standard	3.54	706617-13X	706614X	706615X	706616X	902811-1	902811-2
602982-8	Standard	3.73	706617-14X	706614X	706615X	706616X	902811-1	902811-2
602982-9	Standard	4.09	706617-15X	706695X	706696X	706616X	902811-1	902811-2
602982-11	Power-Lok	3.54	706617-13X	23714X	23435X	— ⁽⁹⁾	902811-1	902811-2
602982-12	Power-Lok	4.09	706617-15X	23715X	23436X	23714X	902811-1	902811-2
602982-13	Power-Lok	3.54	706617-13X	23714X	23435X	— ⁽⁹⁾	902811-1	902811-2
602982-14	Standard	4.09	706617-15X	706695X	706696X	706616X	902811-1	902811-2
1969-70 F-100 & F-150 1/2 Ton Pick-up (Part Time Transfer Case)								
603128-1	Standard	3.54	706617-13X	706614X	706615X	706616X	902811-1	902811-2
603128-2	Standard	3.73	706617-14X	706614X	706615X	706616X	902811-1	902811-2
603128-3	Standard	4.09	706617-15X	706695X	706696X	706616X	902811-1	902811-2
603128-4	Standard	3.54	706617-13X	706614X	706615X	706616X	902811-1	902811-2
603128-5	Standard	3.73	706617-14X	706614X	706615X	706616X	902811-1	902811-2
603128-6	Standard	4.09	706617-15X	706695X	706696X	706616X	902811-1	902811-2
603128-7	Power-Lok	3.54	706617-13X	23714X	23435X	— ⁽⁹⁾	902811-1	902811-2

Continued on next page

(7) See Ring Gear & Pinion Kits in XGI Catalog for ratio & tooth combinations.

(8) See Differential Case Assy Kits in XGI Catalog for spline data & ratios.

(9) Use Internal Parts from Case Assembly

Ford Model 44 Front Axles

Bill of Material Table

Axle			Axle Kits				Shaft & Joint Assy.	
Bill of Material	Diff. Type	Ratio	Ring Gear & Pinion Kit ⁽⁷⁾	Differential			Right Hand Shaft Assy.	Left Hand Shaft Assy.
				Case Assy. Kit ⁽⁸⁾	Case Kit	Inner Parts Kit		
1969-70 F-100 & F-150 1/2 Ton Pick-up (Part Time Transfer Case) (Continued)								
603128-8	Standard	3.54	706617-13X	706614X	706615X	706616X	902811-1	902811-2
603128-9	Standard	4.09	706617-15X	706695X	706696X	706616X	902811-1	902811-2
603128-10	Power-Lok	4.09	706617-15X	23715X	23436X	23714X	902811-1	902811-2
603128-11	Standard	3.54	706617-13X	706614X	706615X	706616X	902811-1	902811-2
1971 F-100 & F-150 1/2 Ton Pick-up (Part Time Transfer Case)								
603289-1	Standard	3.54	706617-13X	706614X	706615X	706616X	902811-1	902811-2
603289-2	Standard	3.54	706617-13X	706614X	706615X	706616X	902811-1	902811-2
603289-3	Standard	3.73	706617-14X	706614X	706615X	706616X	902811-1	902811-2
603289-4	Standard	3.73	706617-14X	706614X	706615X	706616X	902811-1	902811-2
603289-5	Standard	4.09	706617-15X	706695X	706696X	706616X	902811-1	902811-2
603289-6	Standard	4.09	706617-15X	706695X	706696X	706616X	902811-1	902811-2
603289-7	Trac-Lok	3.54	706617-13X	706628X	706629X	706630X	902811-1	902811-2
603289-8	Trac-Lok	4.09	706617-15X	706658X	706659X	706630X	902811-1	902811-2
603289-9	Standard	4.09	706617-15X	706695X	706696X	706616X	902811-1	902811-2
603289-10	Standard	4.09	706617-15X	706695X	706696X	706616X	902811-1	902811-2
603289-11	Standard	3.54	706617-13X	706614X	706615X	706616X	902811-1	902811-2
603289-12	Standard	3.54	706617-13X	706614X	706615X	706616X	902811-1	902811-2
1972 F-100 & F-150 1/2 Ton Pick-up (Part Time Transfer Case)								
603303-1	Standard	3.54	706617-13X	706614X	706615X	706616X	904686-5	904686-6
603303-2	Standard	3.54	706617-13X	706614X	706615X	706616X	904686-5	904686-6
603303-3	Standard	3.73	706617-14X	706614X	706615X	706616X	904686-5	904686-6
603303-4	Standard	3.73	706617-14X	706614X	706615X	706616X	904686-5	904686-6
603303-5	Standard	4.09	706617-15X	706695X	706696X	706616X	904686-5	904686-6
603303-6	Standard	4.09	706617-15X	706695X	706696X	706616X	904686-5	904686-6
603303-7	Trac-Lok	4.09	706617-15X	706658X	706659X	706630X	904686-5	904686-6
603303-8	Trac-Lok	3.54	706617-13X	706628X	706629X	706630X	904686-5	904686-6
1973 F-100 & F-150 1/2 Ton Pick-up (Part Time Transfer Case)								
603394-1	Standard	3.54	706617-13X	706614X	706615X	706616X	660003-1	660003-2
603394-2	Standard	3.54	706617-13X	706614X	706615X	706616X	660003-1	660003-2
603394-3	Standard	3.73	706617-14X	706614X	706615X	706616X	660003-1	660003-2
603394-4	Standard	3.73	706617-14X	706614X	706615X	706616X	660003-1	660003-2
603394-5	Standard	4.09	706617-15X	706695X	706696X	706616X	660003-1	660003-2
603394-6	Standard	4.09	706617-15X	706695X	706696X	706616X	660003-1	660003-2
603394-7	Trac-Lok	3.54	706617-13X	706628X	706629X	706630X	660003-1	660003-2
603394-8	Standard	3.54	706617-13X	706614X	706615X	706616X	660003-1	660003-2
603394-9	Standard	4.09	706617-15X	706695X	706696X	706616X	660003-1	660003-2
603394-10	Trac-Lok	4.09	706617-15X	706658X	706659X	706630X	660003-1	660003-2
1974-75 F-100 & F-150 1/2 Ton Pick-up (Part Time Transfer Case)								
603472-1	Standard	3.54	706617-13X	706614X	706615X	706616X	660003-1	660003-2
603472-2	Standard	3.54	706617-13X	706614X	706615X	706616X	660003-1	660003-2
603472-3	Standard	3.73	706617-14X	706614X	706615X	706616X	660003-1	660003-2
603472-4	Standard	3.73	706617-14X	706614X	706615X	706616X	660003-1	660003-2
603472-5	Standard	4.09	706617-15X	706695X	706696X	706616X	660003-1	660003-2
603472-6	Standard	4.09	706617-15X	706695X	706696X	706616X	660003-1	660003-2
603472-7	Trac-Lok	3.54	706617-13X	706628X	706629X	706630X	660003-1	660003-2
603472-8	Standard	3.54	706617-13X	706614X	706615X	706616X	660003-1	660003-2
603472-9	Standard	3.50	706617-17X	706614X	706615X	706616X	660003-1	660003-2

Continued on next page

(7) See Ring Gear & Pinion Kits in XGI Catalog for ratio & tooth combinations.

(8) See Differential Case Assy Kits in XGI Catalog for spline data & ratios.

(9) Use Internal Parts from Case Assembly

Ford Model 44 Front Axles

Bill of Material Table

Axle			Axle Kits				Shaft & Joint Assy.	
Bill of Material	Diff. Type	Ratio	Ring Gear & Pinion Kit ⁽⁷⁾	Differential			Right Hand Shaft Assy.	Left Hand Shaft Assy.
				Case Assy. Kit ⁽⁸⁾	Case Kit	Inner Parts Kit		
1974-75 F-100 & F-150 1/2 Ton Pick-up (Part Time Transfer Case) (Continued)								
603472-10	Standard	3.50	706617-17X	706614X	706615X	706616X	660003-1	660003-2
603472-11	Standard	3.50	706617-17X	706614X	706615X	706616X	660003-1	660003-2
603472-12	Standard	4.09	706617-15X	706695X	706696X	706616X	660003-1	660003-2
603472-13	Standard	3.54	706617-13X	706614X	706615X	706616X	660003-1	660003-2
603472-14	Trac-Lok	4.09	706617-15X	706658X	706659X	706630X	660003-1	660003-2
1976-77 F-100 & F-150 1/2 Ton Pick-up (Part Time Transfer Case)								
603781-5	Standard	4.09	706617-15X	706695X	706696X	706616X	660003-1	660003-2
603781-6	Standard	4.09	706617-15X	706695X	706696X	706616X	660003-1	660003-2
603781-8	Standard	3.50	706617-17X	706614X	706615X	706616X	660003-1	660003-2
603781-9	Standard	3.50	706617-17X	706614X	706615X	706616X	660003-1	660003-2
603781-10	Trac-Lok	3.50	706617-17X	706628X	706629X	706630X	660003-1	660003-2
603781-11	Standard	3.50	706617-17X	706614X	706615X	706616X	660003-1	660003-2
1977 F-100 & F-150 1/2 Ton Pick-up (Part Time Transfer Case)								
610024-1	Standard	3.50	700040-3	706614X	706615X	706616X	660003-1	660003-2
610024-2	Standard	4.09	700040-3	706695X	706696X	706616X	660003-1	660003-2
610024-3	Trac-Lok	3.50	700040-3	706628X	706629X	706630X	660003-1	660003-2
610024-4	Trac-Lok	4.09	700040-3	706658X	706659X	706630X	660003-1	660003-2
610024-5	Standard	3.50	700040-3	706614X	706615X	706616X	660003-1	660003-2
1978 F-100 & F-150 1/2 Ton Pick-up (Part Time Transfer Case)								
610019-1	Standard	3.00	700040-4	706614X	706615X	706616X	660003-1	660003-2
610019-3	Standard	3.00	700040-4	706614X	706615X	706616X	660003-1	660003-2
610019-4	Standard	3.00	700040-4	706614X	706615X	706616X	660003-1	660003-2
610019-5	Standard	3.50	700040-4	706614X	706615X	706616X	660003-1	660003-2
610019-9	Standard	4.09	700040-1	706695X	706696X	706616X	660003-1	660003-2
610019-10	Standard	4.09	700040-1	706695X	706696X	706616X	660003-1	660003-2
610019-13	Standard	4.09	700040-1	706695X	706696X	706616X	660003-1	660003-2
1974-75 F-100 & F-150 1/2 Ton Pick-up (Full Time Transfer Case)								
603482-1	Standard	3.54	706617-13X	706614X	706615X	706616X	660003-1	660003-2
603482-2	Standard	4.09	706617-15X	706695X	706696X	706616X	660003-1	660003-2
603482-3	Standard	3.50	706617-17X	706614X	706615X	706616X	660003-1	660003-2
603482-4	Trac-Lok	3.50	706617-17X	706628X	706629X	706630X	660003-1	660003-2
1976-77 F-100 & F-150 1/2 Ton Pick-up (Full Time Transfer Case)								
603782-1	Standard	3.50	706617-17X	706614X	706615X	706616X	660003-1	660003-2
603782-3	Trac-Lok	3.50	706617-17X	706628X	706629X	706630X	660003-1	660003-2
1977 F-100 & F-150 1/2 Ton Pick-up (Full Time Transfer Case)								
610025-1	Standard	3.50	700040-3	706614X	706615X	706616X	660003-1	660003-2
1978 F-100 & F-150 1/2 Ton Pick-up (Full Time Transfer Case)								
610020-1	Standard	3.00	700040-4	706614X	706615X	706616X	660003-1	660003-2
610020-2	Standard	3.00	700040-4	706614X	706615X	706616X	660003-1	660003-2
610020-3	Standard	3.50	700040-3	706614X	706615X	706616X	660003-1	660003-2
610020-5	Standard	4.09	700040-1	706695X	706696X	706616X	660003-1	660003-2
610020-8	Standard	4.09	700040-1	706695X	706696X	706616X	660003-1	660003-2
610020-9	Standard	3.50	700040-3	706614X	706615X	706616X	660003-1	660003-2
610020-11	Standard	3.00	700040-4	706614X	706615X	706616X	660003-1	660003-2
610020-12	Standard	3.00	700040-4	706614X	706615X	706616X	660003-1	660003-2

(7) See Ring Gear & Pinion Kits in XGI Catalog for ratio & tooth combinations.

(8) See Differential Case Assy Kits in XGI Catalog for spline data & ratios.

(9) Use Internal Parts from Case Assembly

Ford Model 44 Front Axles

Bill of Material Table

Axle			Axle Kits				Shaft & Joint Assy.	
Bill of Material	Diff. Type	Ratio	Ring Gear & Pinion Kit ⁽⁷⁾	Differential			Right Hand Shaft Assy.	Left Hand Shaft Assy.
				Case Assy. Kit ⁽⁸⁾	Case Kit	Inner Parts Kit		
1976 1/2 F-150 1/2 Ton Pick-up (Full or Part Time Transfer Case)								
603808-5	Standard	4.09	700040-1	706695X	706696X	706616X	660003-1	660003-2
603808-6	Standard	4.09	700040-1	706695X	706696X	706616X	660003-1	660003-2
603808-8	Standard	3.50	700040-3	706614X	706615X	706616X	660003-1	660003-2
603808-9	Standard	3.50	700040-3	706614X	706615X	706616X	660003-1	660003-2
603808-10	Trac-Lok	4.09	700040-1	706658X	706659X	706630X	660003-1	660003-2
603808-11	Trac-Lok	3.50	700040-3	706628X	706629X	706630X	660003-1	660003-2
603808-12	Standard	3.50	700040-3	706614X	706615X	706616X	660003-1	660003-2
603808-13	Standard	4.09	700040-1	706695X	706696X	706616X	660003-1	660003-2
1976 F-150 1/2 Ton Pick-up (Full Time Transfer Case)								
603690-1	Standard	3.50	700040-3	706614X	706615X	706616X	660003-1	660003-2
603690-2	Standard	4.09	700040-1	706695X	706696X	706616X	660003-1	660003-2
603690-3	Trac-Lok	3.50	700040-3	706628X	706629X	706630X	660003-1	660003-2
1976 1/2 F-150 1/2 Ton Pick-up (Full Time Transfer Case)								
603809-1	Standard	3.50	700040-3	706614X	706615X	706616X	660003-1	660003-2
603809-2	Standard	4.09	700040-1	706695X	706696X	706616X	660003-1	660003-2
1978 1/2 F-150 1/2 Ton Pick-up (Full Time Transfer Case)								
610047-1	Standard	3.00	700040-4	706614X	706615X	706616X	660124-1	660124-2
610047-2	Standard	3.00	700040-4	706614X	706615X	706616X	660124-1	660124-2
610047-3	Standard	3.50	700040-3	706614X	706615X	706616X	660124-1	660124-2
610047-4	Standard	3.50	700040-3	706614X	706615X	706616X	660124-1	660124-2
610047-5	Standard	4.09	700040-1	706695X	706696X	706616X	660124-1	660124-2
610047-6	Standard	4.09	700040-1	706695X	706696X	706616X	660124-1	660124-2
610047-7	Standard	4.09	700040-1	706695X	706696X	706616X	660124-1	660124-2
610047-8	Standard	4.09	700040-1	706695X	706696X	706616X	660124-1	660124-2
610047-9	Standard	3.50	700040-3	706614X	706615X	706616X	660124-1	660124-2
610047-10	Standard	3.50	700040-3	706614X	706615X	706616X	660124-1	660124-2
610047-11	Standard	3.00	700040-4	706614X	706615X	706616X	660124-1	660124-2
610047-12	Standard	3.00	700040-4	706614X	706615X	706616X	660124-1	660124-2
610047-13	Trac-Lok	3.50	700040-3	706628X	706629X	706630X	660124-1	660124-2
610047-14	Trac-Lok	4.09	700040-1	706658X	706659X	706630X	660124-1	660124-2
610047-15	Trac-Lok	3.00	700040-4	706628X	706629X	706630X	660124-1	660124-2
610047-16	Standard	3.50	700040-3	706614X	706615X	706616X	660106-1	660106-2
610047-17	Trac-Lok	3.50	700040-3	706628X	706629X	706630X	660124-1	660124-2
1978 1/2 F-150 1/2 Ton Pick-up (Part Time Transfer Case)								
610049-1	Standard	3.00	700040-4	706614X	706615X	706616X	660124-1	660124-2
610049-2	Standard	3.00	700040-4	706614X	706615X	706616X	660124-1	660124-2
610049-3	Standard	3.00	700040-4	706614X	706615X	706616X	660124-1	660124-2
610049-4	Standard	3.00	700040-4	706614X	706615X	706616X	660124-1	660124-2
610049-5	Standard	3.50	700040-3	706614X	706615X	706616X	660124-1	660124-2
610049-6	Standard	3.50	700040-3	706614X	706615X	706616X	660124-1	660124-2
610049-7	Standard	3.50	700040-3	706614X	706615X	706616X	660124-1	660124-2
610049-8	Standard	4.09	700040-1	706695X	706696X	706616X	660124-1	660124-2
610049-9	Standard	4.09	700040-1	706695X	706696X	706616X	660124-1	660124-2
610049-10	Standard	4.09	700040-1	706695X	706696X	706616X	660124-1	660124-2
610049-12	Trac-Lok	4.09	700040-1	706658X	706659X	706630X	660124-1	660124-2
610049-14	Trac-Lok	3.50	700040-3	706628X	706629X	706630X	660124-1	660124-2
610049-15	Trac-Lok	3.50	700040-3	706628X	706629X	706630X	660106-1	660106-2
610049-16	Trac-Lok	3.50	700040-3	706628X	706629X	706630X	660124-1	660124-2

(7) See Ring Gear & Pinion Kits in XGI Catalog for ratio & tooth combinations.

(8) See Differential Case Assy Kits in XGI Catalog for spline data & ratios.

(9) Use Internal Parts from Case Assembly

Ford Model 44 Front Axles

Bill of Material Table

Axle			Axle Kits				Shaft & Joint Assy.	
Bill of Material	Diff. Type	Ratio	Ring Gear & Pinion Kit ⁽⁷⁾	Differential			Right Hand Shaft Assy.	Left Hand Shaft Assy.
				Case Assy. Kit ⁽⁸⁾	Case Kit	Inner Parts Kit		
1977-78 F-150 Super Cab								
610012-1	Standard	3.50	700040-3	706614X	706615X	706616X	660003-3	660003-4
610012-2	Standard	3.50	700040-3	706614X	706615X	706616X	660003-3	660003-4
1978 1/2 F-150 Super Cab								
610048-1	Standard	3.50	700040-3	706614X	706615X	706616X	660124-3	660124-4
610048-2	Standard	3.50	700040-3	706614X	706615X	706616X	660124-3	660124-4
610048-4	Standard	4.09	700040-1	706695X	706696X	706616X	660124-3	660124-4
610048-5	Standard	4.09	700040-1	706695X	706696X	706616X	660124-3	660124-4
1967-68 F-250 3/4 Ton Pick-up (Part Time Transfer Case)								
602991-1	Standard	3.54	706613-4X	706614X	706615X	706616X	206032-3	206032-4
602991-2	Standard	3.54	706613-4X	706614X	706615X	706616X	206032-3	206032-4
602991-3	Standard	3.73	706613-6X	706614X	706615X	706616X	206032-3	206032-4
602991-4	Standard	4.09	706613-5X	706695X	706696X	706616X	206032-3	206032-4
602991-5	Standard	4.09	706613-5X	706695X	706696X	706616X	206032-3	206032-4
602991-6	Standard	4.09	706613-5X	706695X	706696X	706616X	206032-3	206032-4
1969 F-250 3/4 Ton Pick-up (Part Time Transfer Case)								
603037-1	Standard	4.09	706613-5X	706695X	706696X	706616X	206032-3	206032-4
603037-2	Standard	4.09	706613-5X	706695X	706696X	706616X	206032-3	206032-4
603037-3	Standard	4.09	706613-5X	706695X	706696X	706616X	206032-3	206032-4
603037-4	Power-Lok	4.09	706613-5X	23715X	23436X	— ⁽⁹⁾	206032-3	206032-4
1970 F-250 3/4 Ton Pick-up (Part Time Transfer Case)								
603118-1	Standard	4.09	706613-5X	706695X	706696X	706616X	206032-3	206032-4
603118-2	Standard	4.09	706613-5X	706695X	706696X	706616X	206032-3	206032-4
603118-3	Power-Lok	4.09	706613-5X	23715X	23436X	— ⁽⁹⁾	206032-3	206032-4
603118-4	Standard	4.09	706613-5X	706695X	706696X	706616X	206032-3	206032-4
603129-1	Standard	4.09	706613-5X	706695X	706696X	706616X	206032-3	206032-4
603129-2	Standard	4.09	706613-5X	706695X	706696X	706616X	206032-3	206032-4
603129-3	Standard	4.09	706613-5X	706695X	706696X	706616X	206032-3	206032-4
603129-4	Power-Lok	4.09	706613-5X	23715X	23436X	— ⁽⁹⁾	206032-3	206032-4
603129-5	Standard	4.09	706613-5X	706695X	706696X	706616X	206032-3	206032-4
1971 F-250 3/4 Ton Pick-up (Part Time Transfer Case)								
603244-1	Standard	4.09	706613-5X	706695X	706696X	706616X	206032-3	206032-4
603244-2	Standard	4.09	706613-5X	706695X	706696X	706616X	206032-3	206032-4
603244-3	Trac-Lok	4.09	706613-5X	706658X	706659X	706630X	206032-3	206032-4
603244-4	Standard	4.09	706613-5X	706695X	706696X	706616X	206032-3	206032-4
603244-5	Standard	4.09	706613-5X	706695X	706696X	706616X	206032-3	206032-4
603244-6	Standard	3.73	706613-6X	706614X	706615X	706616X	206032-3	206032-4
1972 F-250 3/4 Ton Pick-up (Part Time Transfer Case)								
603304-1	Standard	4.09	706613-5X	706695X	706696X	706616X	206032-3	206032-4
603304-2	Standard	4.09	706613-5X	706695X	706696X	706616X	206032-3	206032-4
603304-3	Standard	4.09	706613-5X	706695X	706696X	706616X	206032-3	206032-4
603304-4	Trac-Lok	4.09	706613-5X	706658X	706659X	706630X	206032-3	206032-4
603304-5	Standard	4.09	706613-5X	706695X	706696X	706616X	206032-3	206032-4
1973 1/2-75 F-250 3/4 Ton Pick-up (Part Time Transfer Case)								
603395-1	Standard	4.09	706613-5X	706695X	706696X	706616X	28360-1X	28360-2X
603395-2	Trac-Lok	4.09	706613-5X	706658X	706659X	706630X	28360-1X	28360-2X
603395-3	Standard	4.09	706613-5X	706695X	706696X	706616X	28360-1X	28360-2X
603395-4	Trac-Lok	3.54	706613-4X	706628X	706629X	706630X	28360-1X	28360-2X

(7) See Ring Gear & Pinion Kits in XGI Catalog for ratio & tooth combinations.

(8) See Differential Case Assy Kits in XGI Catalog for spline data & ratios.

(9) Use Internal Parts from Case Assembly

Ford Model 44 Front Axles

Bill of Material Table

Axle			Axle Kits				Shaft & Joint Assy.	
Bill of Material	Diff. Type	Ratio	Ring Gear & Pinion Kit ⁽⁷⁾	Differential			Right Hand Shaft Assy.	Left Hand Shaft Assy.
				Case Assy. Kit ⁽⁸⁾	Case Kit	Inner Parts Kit		
1976 F-250 3/4 Ton Pick-up (Part Time Transfer Case)								
603424-1	Standard	4.09	706613-5X	706695X	706696X	706616X	29508-1X	29508-2X
603424-2	Standard	4.09	706613-5X	706695X	706696X	706616X	29508-1X	29508-2X
603783-1	Standard	4.09	706613-5X	706695X	706696X	706616X	29508-1X	29508-2X
603783-2	Standard	4.09	706613-5X	706695X	706696X	706616X	29508-1X	29508-2X
603783-3	Trac-Lok	4.09	706613-5X	706658X	706659X	706630X	29508-1X	29508-2X
603783-4	Trac-Lok	4.09	706613-5X	706658X	706659X	706630X	29508-1X	29508-2X
603783-5	Standard	4.09	706613-5X	706695X	706696X	706616X	29508-1X	29508-2X
603783-6	No Spin	4.09	706613-5X	—	—	—	29508-1X	29508-2X
603783-7	Standard	3.54	706613-4X	706614X	706615X	706616X	29508-1X	29508-2X
603783-8	Standard	3.54	706613-4X	706614X	706615X	706616X	29508-1X	29508-2X
603783-9	Standard	4.55	706613-8X	706695X	706696X	706616X	29508-1X	29508-2X
1976 1/2 F-250 3/4 Ton Pick-up (Full or Part Time Transfer Case)								
603762-1	Standard	4.09	706613-5X	706695X	706696X	706616X	29508-1X	29508-2X
603762-2	Standard	4.09	706613-5X	706695X	706696X	706616X	29508-1X	29508-2X
603762-3	Trac-Lok	4.09	706613-5X	706658X	706659X	706630X	29508-1X	29508-2X
603762-4	Trac-Lok	4.09	706613-5X	706658X	706659X	706630X	29508-1X	29508-2X
603762-5	Standard	4.09	706613-5X	706695X	706696X	706616X	29508-1X	29508-2X
603762-6	No Spin	4.09	706613-5X	—	—	—	29508-1X	29508-2X
1977 F-250 3/4 Ton Pick-up (Part Time Transfer Case)								
610005-1	Standard	4.09	706613-5X	706695X	706696X	706616X	29508-1X	29508-2X
610005-2	Standard	4.09	706613-5X	706695X	706696X	706616X	29508-1X	29508-2X
610005-3	Trac-Lok	4.09	706613-5X	706658X	706659X	706630X	29508-1X	29508-2X
610005-4	Trac-Lok	4.09	706613-5X	706658X	706659X	706630X	29508-1X	29508-2X
610005-5	Standard	4.09	706613-5X	706695X	706696X	706616X	29508-1X	29508-2X
610005-6	No Spin	4.09	706613-5X	—	—	—	29508-1X	29508-2X
610005-7	Standard	3.54	706613-4X	706614X	706615X	706616X	29508-1X	29508-2X
610005-8	Standard	3.54	706613-4X	706614X	706615X	706616X	29508-1X	29508-2X
1977 1/2 F-250 3/4 Ton Pick-up (Part Time Transfer Case)								
610010-1	Standard	3.54	700040-2	706614X	706615X	706616X	660003-3	660003-4
610010-2	Standard	3.54	700040-2	706614X	706615X	706616X	660003-3	660003-4
610010-3	Standard	4.09	700040-1	706695X	706696X	706616X	660003-3	660003-4
610010-4	Standard	4.09	700040-1	706695X	706696X	706616X	660003-3	660003-4
610010-5	Trac-Lok	4.09	700040-1	706658X	706659X	706630X	660003-3	660003-4
610010-6	Standard	4.09	700040-1	706695X	706696X	706616X	660003-3	660003-4
1978 F-250 3/4 Ton Pick-up (Full or Part Time Transfer Case)								
610040-1	Standard	3.54	700040-2	706614X	706615X	706616X	660003-3	660003-4
610040-2	Standard	3.54	700040-2	706614X	706615X	706616X	660003-3	660003-4
610040-3	Standard	4.09	700040-1	706695X	706696X	706616X	660003-3	660003-4
610040-4	Standard	4.09	700040-1	706695X	706696X	706616X	660003-3	660003-4
610040-5	Standard	3.54	700040-2	706614X	706615X	706616X	660003-3	660003-4
610040-6	Trac-Lok	4.09	700040-1	706658X	706659X	706630X	660003-3	660003-4
610040-7	Standard	4.09	700040-1	706695X	706696X	706616X	660003-3	660003-4
610040-8	Standard	3.54	700040-2	706614X	706615X	706616X	660003-3	660003-4

(7) See Ring Gear & Pinion Kits in XGI Catalog for ratio & tooth combinations.

(8) See Differential Case Assy Kits in XGI Catalog for spline data & ratios.

(9) Use Internal Parts from Case Assembly

Ford Model 44 Front Axles

Bill of Material Table

Axle			Axle Kits				Shaft & Joint Assy.	
Bill of Material	Diff. Type	Ratio	Ring Gear & Pinion Kit ⁽⁷⁾	Differential			Right Hand Shaft Assy.	Left Hand Shaft Assy.
				Case Assy. Kit ⁽⁸⁾	Case Kit	Inner Parts Kit		
1978 F-250 3/4 Ton Pick-up (Part Time Transfer Case)								
610040-1	Standard	3.54	700040-2	706614X	706615X	706616X	660003-3	660003-4
610040-2	Standard	3.54	700040-2	706614X	706615X	706616X	660003-3	660003-4
610040-3	Standard	4.09	700040-1	706695X	706696X	706616X	660003-3	660003-4
610040-4	Standard	4.09	700040-1	706695X	706696X	706616X	660003-3	660003-4
610040-5	Standard	4.09	700040-1	706695X	706696X	706616X	660003-3	660003-4
610040-7	Standard	4.09	700040-1	706695X	706696X	706616X	660003-3	660003-4
1979 F-250 3/4 Ton Pick-up (Full or Part Time Transfer Case)								
610069-1	Standard	3.54	700040-2	706614X	706615X	706616X	660003-3	660003-4
610069-2	Standard	3.54	700040-2	706614X	706615X	706616X	660003-3	660003-4
610069-3	Standard	4.09	700040-1	706695X	706696X	706616X	660003-3	660003-4
610069-4	Standard	4.09	700040-1	706695X	706696X	706616X	660003-3	660003-4
610069-5	Standard	3.54	700040-2	706614X	706615X	706616X	660003-3	660003-4
610069-6	Standard	3.54	700040-2	706614X	706615X	706616X	660003-3	660003-4
610069-7	Standard	4.09	700040-1	706695X	706696X	706616X	660003-3	660003-4
610069-8	Standard	4.09	700040-1	706695X	706696X	706616X	660003-3	660003-4
610069-9	Standard	4.09	700040-1	706695X	706696X	706616X	660106-1	660106-2
610040-10	Trac-Lok	3.54	700040-2	706628X	706629X	706630X	660003-3	660003-4
610069-11	Standard	4.09	700040-1	706695X	706696X	706616X	660003-3	660003-4
610069-12	Standard	3.54	700040-2	706614X	706615X	706616X	660106-1	660106-2
1974-75 F-250 3/4 Ton Pick-up (Full Time Transfer Case)								
603479-1	Standard	4.09	706613-5X	706695X	706696X	706616X	28360-1X	28360-2X
1976 F-250 3/4 Ton Pick-up (Full Time Transfer Case)								
603784-1	Standard	4.09	706613-5X	706695X	706696X	706616X	29508-1X	29508-2X
603784-2	Standard	3.54	706613-4X	706614X	706615X	706616X	29508-1X	29508-2X
603784-3	Trac-Lok	4.09	706613-5X	706658X	706659X	706630X	29508-1X	29508-2X
1977 F-250 3/4 Ton Pick-up (Full Time Transfer Case)								
610006-1	Standard	4.09	706613-5X	706695X	706696X	706616X	29508-1X	29508-2X
610006-2	Standard	3.54	706613-4X	706614X	706615X	706616X	29508-1X	29508-2X
610006-3	Trac-Lok	4.09	706613-5X	706658X	706659X	706630X	29508-1X	29508-2X
1977 1/2 F-250 3/4 Ton Pick-up (Full Time Transfer Case)								
610010-1	Standard	3.54	700040-2	706614X	706615X	706616X	660003-3	660003-4
610010-2	Standard	3.54	700040-2	706614X	706615X	706616X	660003-3	660003-4
610010-3	Standard	4.09	700040-1	706695X	706696X	706616X	660003-3	660003-4
610010-4	Standard	4.09	700040-1	706695X	706696X	706616X	660003-3	660003-4
610010-5	Trac-Lok	4.09	700040-1	706658X	706659X	706630X	660003-3	660003-4
610010-6	Standard	4.09	700040-1	706695X	706696X	706616X	660003-3	660003-4
1978 F-250 3/4 Ton Pick-up (Full Time Transfer Case)								
610040-1	Standard	3.54	700040-2	706614X	706615X	706616X	660003-3	660003-4
610040-2	Standard	3.54	700040-2	706614X	706615X	706616X	660003-3	660003-4
610040-3	Standard	4.09	700040-1	706695X	706696X	706616X	660003-3	660003-4
610040-4	Standard	4.09	700040-1	706695X	706696X	706616X	660003-3	660003-4
610040-5	Standard	4.09	700040-1	706695X	706696X	706616X	660003-3	660003-4
610040-7	Standard	4.09	700040-1	706695X	706696X	706616X	660003-3	660003-4

(7) See Ring Gear & Pinion Kits in XGI Catalog for ratio & tooth combinations.

(8) See Differential Case Assy Kits in XGI Catalog for spline data & ratios.

(9) Use Internal Parts from Case Assembly

Ford Model 44 Front Axles

Bill of Material Table

Axle			Axle Kits				Shaft & Joint Assy.	
Bill of Material	Diff. Type	Ratio	Ring Gear & Pinion Kit ⁽⁷⁾	Differential			Right Hand Shaft Assy.	Left Hand Shaft Assy.
				Case Assy. Kit ⁽⁸⁾	Case Kit	Inner Parts Kit		
1969 F-250 3/4 Ton Hevy Duty Pick-up (Part Time Transfer Case)								
603038-1	Standard	4.09	706613-5X	706695X	706696X	706616X	207490-3	207490-4
603038-2	Standard	4.09	706613-5X	706695X	706696X	706616X	207490-3	207490-4
603038-3	Power-Lok	4.09	706613-5X	23715X	23436X	— ⁽⁹⁾	207490-3	207490-4
603038-5	Standard	4.09	706613-5X	706695X	706696X	706616X	207490-3	207490-4
603038-6	Standard	4.09	706613-5X	706695X	706696X	706616X	207490-3	207490-4
603038-7	Standard	4.55	706613-8X	706695X	706696X	706616X	207490-3	207490-4
603038-8	Standard	4.55	706613-8X	706695X	706696X	706616X	207490-3	207490-4
603038-9	Standard	4.55	706613-8X	706695X	706696X	706616X	207490-3	207490-4
1970 F-250 3/4 Ton Hevy Duty Pick-up (Part Time Transfer Case)								
603119-1	Standard	4.09	706613-5X	706695X	706696X	706616X	207490-3	207490-4
603119-2	Standard	4.09	706613-5X	706695X	706696X	706616X	207490-3	207490-4
603119-3	Power-Lok	4.55	706613-8X	23715X	23436X	23715X	207490-3	207490-4
603119-4	Standard	4.55	706613-8X	706695X	706696X	706616X	207490-3	207490-4
603119-5	Standard	4.55	706613-8X	706695X	706696X	706616X	207490-3	207490-4
603119-6	Power-Lok	4.09	706613-5X	23715X	23436X	— ⁽⁹⁾	207490-3	207490-4
603119-7	Standard	4.09	706613-5X	706695X	706696X	706616X	207490-3	207490-4
603119-8	Standard	4.55	706613-8X	706695X	706696X	706616X	207490-3	207490-4
603130-1	Standard	4.09	706613-5X	706695X	706696X	706616X	207490-3	207490-4
603130-2	Standard	4.09	706613-5X	706695X	706696X	706616X	207490-3	207490-4
603130-3	Power-Lok	4.09	706613-5X	23715X	23436X	— ⁽⁹⁾	207490-3	207490-4
603130-4	Standard	4.55	706613-8X	706695X	706696X	706616X	207490-3	207490-4
603130-5	Standard	4.09	706613-5X	706695X	706696X	706616X	207490-3	207490-4
603130-6	Standard	4.55	706613-8X	706695X	706696X	706616X	207490-3	207490-4
603130-7	Standard	4.09	706613-5X	706695X	706696X	706616X	207490-3	207490-4
603130-8	Standard	4.55	706613-8X	706695X	706696X	706616X	207490-3	207490-4
1971 F-250 3/4 Ton Hevy Duty Pick-up (Part Time Transfer Case)								
603245-1	Standard	4.09	706613-5X	706695X	706696X	706616X	207490-3	207490-4
603245-2	Standard	4.09	706613-5X	706695X	706696X	706616X	207490-3	207490-4
603245-3	Power-Lok	4.09	706613-5X	23715X	23436X	— ⁽⁹⁾	207490-3	207490-4
603245-4	Standard	4.09	706613-5X	706695X	706696X	706616X	207490-3	207490-4
603245-5	Standard	4.09	706613-5X	706695X	706696X	706616X	207490-3	207490-4
603245-6	Standard	4.55	706613-8X	706695X	706696X	706616X	207490-3	207490-4
1972 F-250 3/4 Ton Hevy Duty Pick-up (Part Time Transfer Case)								
603305-1	Standard	4.09	706613-5X	706695X	706696X	706616X	207490-3	207490-4
603305-2	Standard	4.09	706613-5X	706695X	706696X	706616X	207490-3	207490-4
603305-3	Trac-Lok	4.09	706613-5X	706658X	706659X	706630X	207490-3	207490-4
603305-4	Standard	4.55	706613-8X	706695X	706696X	706616X	207490-3	207490-4
603305-5	Standard	4.09	706613-5X	706695X	706696X	706616X	207490-3	207490-4
603305-6	Standard	4.09	706613-5X	706695X	706696X	706616X	207490-3	207490-4
1973 1/2-75 F-250 3/4 Ton Hevy Duty Pick-up (Part Time Transfer Case)								
603396-1	Standard	4.09	706613-5X	706695X	706696X	706616X	207490-3	207490-4
603396-2	Standard	4.09	706613-5X	706695X	706696X	706616X	207490-3	207490-4
603396-3	Trac-Lok	4.09	706613-5X	706658X	706659X	706630X	207490-3	207490-4
1974-75 F-250 3/4 Ton Hevy Duty Pick-up (Full Time Transfer Case)								
603480-1	Standard	4.09	706613-5X	706695X	706696X	706616X	207490-3	207490-4

(7) See Ring Gear & Pinion Kits in XGI Catalog for ratio & tooth combinations.

(8) See Differential Case Assy Kits in XGI Catalog for spline data & ratios.

(9) Use Internal Parts from Case Assembly

Ford Model 44 Front Axles

Bill of Material Table

Axle			Axle Kits				Shaft & Joint Assy.	
Bill of Material	Diff. Type	Ratio	Ring Gear & Pinion Kit ⁽⁷⁾	Differential			Right Hand Shaft Assy.	Left Hand Shaft Assy.
				Case Assy. Kit ⁽⁸⁾	Case Kit	Inner Parts Kit		
1976 Bronco II (Full or Part Time Transfer Case)								
603421-1	Standard	3.54	706613-4X	706614X	706615X	706616X	660029-1	660029-2
603421-3	Standard	3.54	706613-4X	706614X	706615X	706616X	660029-1	660029-2
603421-5	Standard	4.09	706613-5X	706695X	706696X	706616X	660029-1	660029-2
603421-6	Trac-Lok	4.09	706613-5X	706658X	706659X	706630X	660029-1	660029-2
603421-7	Standard	4.09	706613-5X	706695X	706696X	706616X	660029-1	660029-2
603421-12	Standard	3.54	706613-4X	706614X	706615X	706616X	660029-1	660029-2
1978 1/2 Bronco II (Full or Part Time Transfer Case)								
610047-1	Standard	3.00	700040-4	706614X	706615X	706616X	660124-1	660124-2
610047-2	Standard	3.00	700040-4	706614X	706615X	706616X	660124-1	660124-2
610047-3	Standard	3.50	700040-3	706614X	706615X	706616X	660124-1	660124-2
610047-4	Standard	3.50	700040-3	706614X	706615X	706616X	660124-1	660124-2
610047-5	Standard	4.09	700040-1	706695X	706696X	706616X	660124-1	660124-2
610047-6	Standard	4.09	700040-1	706695X	706696X	706616X	660124-1	660124-2
610047-7	Standard	4.09	700040-1	706695X	706696X	706616X	660124-1	660124-2
610047-8	Standard	4.09	700040-1	706695X	706696X	706616X	660124-1	660124-2
610047-9	Standard	3.50	700040-3	706614X	706615X	706616X	660124-1	660124-2
610047-10	Standard	3.50	700040-3	706614X	706615X	706616X	660124-1	660124-2
610047-11	Standard	3.00	700040-4	706614X	706615X	706616X	660124-1	660124-2
610047-12	Standard	3.00	700040-4	706614X	706615X	706616X	660124-1	660124-2
610047-13	Trac-Lok	3.50	700040-3	706628X	706629X	706630X	660124-1	660124-2
610047-14	Trac-Lok	4.09	700040-1	706658X	706659X	706630X	660124-1	660124-2
610047-15	Trac-Lok	3.00	700040-4	706628X	706629X	706630X	660124-1	660124-2
610047-16	Standard	3.50	700040-3	706614X	706615X	706616X	660106-1	660106-2
610047-17	Trac-Lok	3.50	700040-3	706628X	706629X	706630X	660124-1	660124-2
1979 Bronco II (Full or Part Time Transfer Case)								
610066-1	Standard	3.00	700040-4	706614X	706615X	706616X	660003-1	660003-2
610066-2	Standard	3.50	700040-3	706614X	706615X	706616X	660003-1	660003-2
610066-3	Standard	4.09	700040-1	706695X	706696X	706616X	660003-1	660003-2
610066-4	Standard	4.09	700040-1	706695X	706696X	706616X	660003-1	660003-2
610066-5	Standard	3.50	700040-3	706614X	706615X	706616X	660003-1	660003-2
610066-6	Standard	3.00	700040-4	706614X	706615X	706616X	660003-1	660003-2
610066-7	Trac-Lok	3.50	700040-3	706628X	706629X	706630X	660003-1	660003-2
1971-72 U-100 Bronco								
603218-1	Standard	3.54	706613-4X	706614X	706615X	706616X	904686-9	904686-7
603218-3	Standard	3.54	706613-4X	706614X	706615X	706616X	904686-9	904686-7
603218-4	Trac-Lok	3.54	706613-4X	706628X	706629X	706630X	904686-9	904686-7
603218-5	Standard	4.09	706613-5X	706695X	706696X	706616X	904686-9	904686-7
603218-7	Standard	4.09	706613-5X	706695X	706696X	706616X	904686-9	904686-7
603218-8	Trac-Lok	4.09	706613-5X	706658X	706659X	706630X	904686-9	904686-7
603218-9	Standard	4.55	706613-8X	706695X	706696X	706616X	904686-9	904686-7
603218-11	Standard	4.55	706613-8X	706695X	706696X	706616X	904686-9	904686-7
603218-13	Standard	4.09	706613-5X	706695X	706696X	706616X	904686-9	904686-7
603218-14	Standard	3.54	706613-4X	706614X	706615X	706616X	904686-9	904686-7
603218-15	Standard	3.54	706613-4X	706614X	706615X	706616X	904686-9	904686-7
603218-16	Trac-Lok	3.54	706613-4X	706628X	706629X	706630X	904686-9	904686-7

(7) See Ring Gear & Pinion Kits in XGI Catalog for ratio & tooth combinations.

(8) See Differential Case Assy Kits in XGI Catalog for spline data & ratios.

(9) Use Internal Parts from Case Assembly

Ford Model 44 Front Axles

Bill of Material Table

Axle			Axle Kits				Shaft & Joint Assy.	
Bill of Material	Diff. Type	Ratio	Ring Gear & Pinion Kit ⁽⁷⁾	Differential			Right Hand Shaft Assy.	Left Hand Shaft Assy.
				Case Assy. Kit ⁽⁸⁾	Case Kit	Inner Parts Kit		
1973 U-100 Bronco								
603368-3	Standard	3.54	706613-4X	706614X	706615X	706616X	660029-1	660029-2
603218-4	Trac-Lok	3.54	706613-4X	706628X	706629X	706630X	660029-1	660029-2
603218-7	Standard	4.09	706613-5X	706695X	706696X	706616X	660029-1	660029-2
603218-8	Trac-Lok	4.09	706613-5X	706658X	706659X	706630X	660029-1	660029-2
603218-11	Standard	4.55	706613-8X	706695X	706696X	706616X	660029-1	660029-2
603368-12	Standard	3.54	706613-4X	706614X	706615X	706616X	660029-1	660029-2
603218-13	Standard	4.09	706613-5X	706695X	706696X	706616X	660029-1	660029-2
1974-75 U-100 Bronco								
603471-1	Standard	3.54	706613-4X	706614X	706615X	706616X	660029-1	660029-2
603471-3	Standard	3.54	706613-4X	706614X	706615X	706616X	660029-1	660029-2
603471-4	Trac-Lok	3.54	706613-4X	706628X	706629X	706630X	660029-1	660029-2
603471-7	Standard	4.09	706613-5X	706695X	706696X	706616X	660029-1	660029-2
603471-8	Trac-Lok	4.09	706613-5X	706658X	706659X	706630X	660029-1	660029-2
603471-11	Standard	4.55	706613-8X	706695X	706696X	706616X	660029-1	660029-2
603471-12	Standard	3.54	706613-4X	706614X	706615X	706616X	660029-1	660029-2
603471-13	Standard	4.09	706613-5X	706695X	706696X	706616X	660029-1	660029-2
1976-77 U-100 Bronco								
603780-1	Standard	3.54	706613-4X	706614X	706615X	706616X	660029-1	660029-2
603780-3	Standard	3.54	706613-4X	706614X	706615X	706616X	660029-1	660029-2
603780-4	Trac-Lok	3.54	706613-4X	706628X	706629X	706630X	660029-1	660029-2
603780-5	Standard	4.09	706613-5X	706695X	706696X	706616X	660029-1	660029-2
603780-6	Trac-Lok	4.09	706613-5X	706658X	706659X	706630X	660029-1	660029-2
603780-7	Standard	4.09	706613-5X	706695X	706696X	706616X	660029-1	660029-2
603780-12	Standard	3.54	706613-4X	706614X	706615X	706616X	660029-1	660029-2
1977 1/2 U-100 Bronco								
610026-1	Standard	3.54	706613-4X	706614X	706615X	706616X	660029-1	660029-2
610026-3	Standard	3.54	706613-4X	706614X	706615X	706616X	660029-1	660029-2
610026-4	Trac-Lok	3.54	706613-4X	706628X	706629X	706630X	660029-1	660029-2
610026-5	Standard	4.09	706613-5X	706695X	706696X	706616X	660029-1	660029-2
610026-7	Standard	4.09	706613-5X	706695X	706696X	706616X	660029-1	660029-2
1978 Bronco II (Part Time Transfer Case)								
610019-1	Standard	3.00	700040-4	706614X	706615X	706616X	660003-1	660003-2
610019-3	Standard	3.00	700040-4	706614X	706615X	706616X	660003-1	660003-2
610019-4	Standard	3.00	700040-4	706614X	706615X	706616X	660003-1	660003-2
610019-5	Standard	3.50	700040-3	706614X	706615X	706616X	660003-1	660003-2
610019-9	Standard	4.09	700040-1	706695X	706696X	706616X	660003-1	660003-2
610019-10	Standard	4.09	700040-1	706695X	706696X	706616X	660003-1	660003-2
610019-13	Standard	4.09	700040-1	706695X	706696X	706616X	660003-1	660003-2
1978 Bronco II (Full Time Transfer Case)								
610020-1	Standard	3.00	700040-4	706614X	706615X	706616X	660003-1	660003-2
610020-2	Standard	3.00	700040-4	706614X	706615X	706616X	660003-1	660003-2
610020-3	Standard	3.50	700040-3	706614X	706615X	706616X	660003-1	660003-2
610020-5	Standard	4.09	700040-1	706695X	706696X	706616X	660003-1	660003-2
610020-8	Standard	4.09	700040-1	706695X	706696X	706616X	660003-1	660003-2
610020-9	Standard	3.50	700040-3	706614X	706615X	706616X	660003-1	660003-2
610020-11	Standard	3.00	700040-4	706614X	706615X	706616X	660003-1	660003-2
610020-12	Standard	3.00	700040-4	706614X	706615X	706616X	660003-1	660003-2

(7) See Ring Gear & Pinion Kits in XGI Catalog for ratio & tooth combinations.

(8) See Differential Case Assy Kits in XGI Catalog for spline data & ratios.

(9) Use Internal Parts from Case Assembly

Ford Model 44 Front Axles

Axle Kits - Use with All Applications

Description & Item Number (Refer to "Exploded View" at the front of this section)		Bills of Material				
		602906	602968	602982	602991 603037	603038
KIT — Inner Pinion Bearing	4	706031X	706031X	706031X	706031X	706031X
PKG — Pinion & Bearing Shim (inc. items 5, 7, 12, 13, 16)		706358X	706358X	706358X	706358X	706358X
PKG — Differential & Pinion Shim (inc. items 5, 7, 12, 13, 16, 22)		706376X	706376X	706376X	706376X	706376X
Outer Pinion Bearing	8	706030X	706030X	706030X	706030X	706030X
KIT — Carrier Cover (inc. 15, 16, 17, 18)		700038	700038	700038	706154X	706154X
PKG — Differential Bearing Shim (16, 22)		706086X	706086X	706086X	706086X	706086X
Differential Bearing	21	706032X	706032X	706032X	706032X	706032X
Seal & Guide Tube	31	—	—	—	36352	36352
Seal		32542-1	32542-1	32542-1	—	—
Guide		30703	30703	30703	—	—
Steering Knuckle Assembly - RH (inc. items 32, 33, 34, 36, 41)		33839	33839	33839	27823X	34408
Steering Knuckle Assembly - LH	N.I.	33840	33840	33840	27868X	34409
Socket Assy (32,33,34,35,36,37,38)		33774	33774	— ⁽³⁾	30354	35183
Steering Arm	N.I.	—	—	—	706155X	706153X
Wheel Spindle Seal & Bearing (inc. items 47, 48, 49, 50)		—	—	—	—	—
Wheel Bearing Spindle (inc. items 47, 48, 49, 50, 51 or 74)		706298X	27813X	706298X	22137X	25789X
Stop Screw	39	31026-1	31026-1	31026-1	30902	31026-1
Jam Nut	40	500381-3	500381-3	500381-3	500381-3	500381-3
Oil Seal	47	— ⁽³⁾	34783	34783	—	—
Spacer - Wheel Bearing Spindle	48	35986	35986	35986	—	—
Oil Seal - Block Vee	49	—	—	—	—	—
Needle Bearing Assembly	50	550759	550759	550759	30339	30339
Nut - Brake Mounting	52	30688	30688	30688	30688	30688
Oil Seal	53	—	—	—	—	— ⁽³⁾
Inner Wheel Bearing	54/76	706110X	706110X	706110X	—	—
Cup		—	—	—	550289	550289
Cone		—	—	—	550403	550403
Wheel Hub	55	—	—	—	—	— ⁽³⁾
Outer Wheel Bearing	56/74	706111X	706111X	706111X	706111X	706111X
Gasket-Drive Flange	60	—	—	—	—	30344
Flange-Axle Drive	61	—	—	—	—	30340
Snap Ring	62	31624	31624	31624	31624	31624
Hub Cap	63	31552	31552	31552	31552	32001
Nut	64	500371-3	—	500371-3	—	500371-3
Lockwasher	65	501209-3	—	501209-3	—	501209-3
Stud	66	31017	—	31017	—	31017
Hub Cap	67	—	—	—	31152	—
Axle Drive Gear	68	—	31125	—	31125	—
Pressure Spring	69	—	35218	—	35218	—
Plate-Spring Retaining	70	—	32589	—	32589	—
Wheel Bearing Adjusting Nut	71	31139	31139	31139	31139	31139
Retaining Lock Nut	72	36569	36569	36569	36569	36569
Nut & Pin Assembly-Inner Lock	73	21588X	21588X	21588X	21588X	21588X
Wheel Hub	75	— ⁽³⁾	— ⁽³⁾	— ⁽³⁾	— ⁽³⁾	—
Oil Seal	77	34611	34611	—	34611	—
Hub Lock Assembly	N.I.	23345X	23345X	26133-3X	26133-3X	27369-3X
Knuckle Oil Seal & Bolt	N.I.	—	—	—	706207X	706230X
King Pin Bearing	N.I.	—	—	—	706159X	706150X

(3) Contact Vehicle Manufacturer

Ford Model 44 Front Axles

Axle Kits - Use with All Applications

Description & Item Number (Refer to "Exploded View" at the front of this section)		Bills of Material				
		603118	603119	603128	603129	603130
KIT — Inner Pinion Bearing	4	706031X	706031X	706031X	706031X	706031X
PKG — Pinion & Bearing Shim (inc. items 5, 7, 12, 13, 16)		706358X	706358X	706358X	706358X	706358X
PKG — Differential & Pinion Shim (inc. items 5, 7, 12, 13, 16, 22)		706376X	706376X	706376X	706376X	706376X
Outer Pinion Bearing	8	706030X	706030X	706030X	706030X	706030X
KIT — Carrier Cover (inc. 15, 16, 17, 18)		706154X	706154X	700038	706154X	706154X
PKG — Differential Bearing Shim (16, 22)		706086X	706086X	706086X	706086X	706086X
Differential Bearing	21	706032X	706032X	706032X	706032X	706032X
Seal & Guide Tube	31	—	—	—	—	—
Seal		32542-1	32542-1	32542-1	32542-1	32542-1
Guide		30703	30703	30703	30703	30703
Steering Knuckle Assembly - RH (inc. items 32, 33, 34, 36, 41)		27823X	34408	33838	27823X	706368X
Steering Knuckle Assembly - LH	N.I.	27868X	34409	33840	27868X	706369X
Socket Assy (32,33,34,35,36,37,38)		30354	35183	— ⁽³⁾	30354	35183
Steering Arm	N.I.	706155X	706153X	—	706155X	706153X
Wheel Spindle Seal & Bearing (inc. items 47, 48, 49, 50)		—	—	—	—	—
Wheel Bearing Spindle (inc. items 47, 48, 49, 50, 51 or 74)		22137X	25789X	706298X	22137X	25789X
Stop Screw	39	31026-1	30902	31026-1	31026-1	30902
Jam Nut	40	500381-3	500381-3	500381-3	500381-3	500381-3
Oil Seal	47	—	—	34783	—	—
Spacer - Wheel Bearing Spindle	48	—	—	35986	—	—
Oil Seal - Block Vee	49	—	—	—	—	—
Needle Bearing Assembly	50	30339	30339	550759	30339	30339
Nut - Brake Mounting	52	30688	30688	30688	30688	30688
Oil Seal	53	—	— ⁽³⁾	—	—	35311
Inner Wheel Bearing	54/76	—	—	706110X	—	706110X
Cup		550289	550289	—	550289	—
Cone		550403	550403	—	550403	—
Wheel Hub	55	—	— ⁽³⁾	—	—	— ⁽³⁾
Outer Wheel Bearing	56/74	706111X	706111X	706111X	706111X	706111X
Gasket-Drive Flange	60	—	30344	—	—	30344
Flange-Axle Drive	61	—	30340	—	—	30340
Snap Ring	62	31624	31624	31624	31624	31624
Hub Cap	63	31552	32001	31552	31552	32001
Nut	64	—	500371-3	—	—	500371-3
Lockwasher	65	—	501209-3	—	—	501209-3
Stud	66	—	31017	—	—	31017
Hub Cap	67	31552	32001	31552	31624	31624
Axle Drive Gear	68	31125	—	31125	31125	—
Pressure Spring	69	35218	—	35218	35218	—
Plate-Spring Retaining	70	32589	—	32589	32589	—
Wheel Bearing Adjusting Nut	71	31139	31139	31139	31139	31139
Retaining Lock Nut	72	36569	36569	36569	36569	36569
Nut & Pin Assembly-Inner Lock	73	21588X	21588X	21588X	21588X	21588X
Wheel Hub	75	— ⁽³⁾	—	— ⁽³⁾	— ⁽³⁾	—
Oil Seal	77	34611	—	35313	34611	—
Hub Lock Assembly	N.I.	23345X	23345X	26133-3X	26133-3X	27369-3X
Knuckle Oil Seal & Bolt	N.I.	706207X	706230X	—	706207X	706230X
King Pin Bearing	N.I.	706159X	706150X	—	706159X	706150X

(3) Contact Vehicle Manufacturer

Ford Model 44 Front Axles

Axle Kits - Use with All Applications

Description & Item Number (Refer to "Exploded View" at the front of this section)		Bills of Material				
		603218	603244	603245	603289	603303
KIT — Inner Pinion Bearing	4	706031X	706031X	706031X	706031X	706031X
PKG — Pinion & Bearing Shim (inc. items 5, 7, 12, 13, 16)		706358X	706358X	706358X	706358X	706358X
PKG — Differential & Pinion Shim (inc. items 5, 7, 12, 13, 16, 22)		706376X	706376X	706376X	706376X	706376X
KIT — Outer Pinion Bearing	8	706030X	706030X	706030X	706030X	706030X
KIT — Carrier Cover (inc. 15, 16, 17, 18)		706112X	706154X	706154X	700038	??
PKG — Differential Bearing Shim (16, 22)		706086X	706086X	706086X	706086X	706086X
Differential Bearing	21	706032X	706032X	706032X	706032X	706032X
Seal & Guide Tube	31	—	—	—	—	36352
Seal		32542-1	32542-1	32542-1	32542-1	—
Guide		30703	30703	30703	30703	—
Steering Knuckle Assembly - RH (inc. items 32, 33, 34, 36, 41)		706105X	27823X	706368X	33839	27818X
Steering Knuckle Assembly - LH	N.I.	706106X	27868X	706369X	33840	27819X
Socket Assy (32,33,34,35,36,37,38)		706116X	30354	35183	—	—
Steering Arm	N.I.	—	706155X	706153X	—	—
Wheel Spindle Seal & Bearing (inc. items 47, 48, 49, 50)		706282X	—	—	—	—
Wheel Bearing Spindle (inc. items 47, 48, 49, 50, 51 or 74)		706298X	22137X	25789X	706298X	706298X
Stop Screw	39	31026-1	31026-1	30902	31026-1	30902
Jam Nut	40	500381-3	500381-3	500381-3	500381-3	500381-3
Oil Seal	47	34783	—	—	34783	34783
Spacer - Wheel Bearing Spindle	48	35986	—	—	35986	35986
Oil Seal - Block Vee	49	—	—	—	—	—
Needle Bearing Assembly	50	550759	30339	30339	550759	550759
Nut - Brake Mounting	52	30688	30688	30688	30688	30688
Oil Seal	53	—	—	35311	—	—
Inner Wheel Bearing	54/76	706110X	—	706110X	706110X	706110X
Cup		—	550289	—	—	—
Cone		—	550403	—	—	—
Wheel Hub	55	—	—	— ⁽³⁾	—	—
Outer Wheel Bearing	56/74	706111X	706111X	706111X	706111X	706111X
Gasket-Drive Flange	60	—	—	30344	—	—
Flange-Axle Drive	61	—	—	30340	—	—
Snap Ring	62	31624	31624	31624	31624	31624
Hub Cap	63	31552	31552	32001	31552	31552
Nut	64	—	—	500371-3	—	—
Lockwasher	65	—	—	501209-3	—	—
Stud	66	—	—	31017	—	—
Hub Cap	67	31552	31552	32001	31552	31552
Axle Drive Gear	68	31125	31125	—	31125	31125
Pressure Spring	69	35218	35218	—	35218	35218
Plate-Spring Retaining	70	32589	32589	—	32589	32589
Wheel Bearing Adjusting Nut	71	31139	31139	31139	31139	31139
Retaining Lock Nut	72	36569	36569	36569	36569	36569
Nut & Pin Assembly-Inner Lock	73	21588X	21588X	21588X	21588X	21588X
Wheel Hub	75	— ⁽³⁾	— ⁽³⁾	—	— ⁽³⁾	— ⁽³⁾
Oil Seal	77	35313	35313	—	35313	35313
Hub Lock Assembly	N.I.	26133-3X	26133-3X	27369-3X	26133-3X	26133-3X
Knuckle Oil Seal & Bolt	N.I.	—	706207X	706230X	—	—
King Pin Bearing	N.I.	—	706159X	706150X	—	—

(3) Contact Vehicle Manufacturer

Ford Model 44 Front Axles

Axle Kits - Use with All Applications

Description & Item Number (Refer to "Exploded View" at the front of this section)		Bills of Material				
		603304	603305	603368	603394	603395
Inner Pinion Bearing Kit	4	706031X	706031X	706031X	706031X	706031X
Pinion & Bearing Adjusting Shim (inc. items 5, 7, 12, 13, 16)		706358X	706358X	706358X	706358X	706358X
Differential & Pinion Shim (inc. items 5, 7, 12, 13, 16, 22)		706376X	706376X	706376X	706376X	706376X
Outer Pinion Bearing	8	706030X	706030X	706030X	706030X	706030X
Carrier Cover (inc. 15, 16, 17, 18)		706154X	706154X	706112X	700038	706154X
Differential Bearing Adj. Shim (16, 22)		706086X	706086X	706086X	706086X	706086X
Differential Bearing	21	706032X	706032X	706032X	706032X	706032X
Seal & Guide Tube	31	—	—	—	36352	—
Seal		32542-1	32542-1	32542-1	—	32542-1
Guide		30703	30703	30703	—	30703
Steering Knuckle Assembly - RH (inc. items 32, 33, 34, 36, 41)		27823X	706368X	706105X	706113X	706156X
Steering Knuckle Assembly - LH	N.I.	27868X	706369X	706106X	706114X	706157X
Socket Assy (32,33,34,35,36,41)		30354	35183	706116X	706116X	30354
Steering Arm	N.I.	706155X	706153X	—	—	706155X
Wheel Spindle Seal & Bearing (inc. items 47, 48, 49, 50)		—	—	706527X	706527X	—
Wheel Bearing Spindle (inc. items 47, 48, 49, 50, 51 or 74)		22137X	25789X	706539X	706539X	22137X
Stop Screw	39	31026-1	30902	31026-1	31026-1	31026-1
Jam Nut	40	500381-3	500381-3	500381-3	500381-3	500381-3
Oil Seal	47	—	—	38128	38128	—
Spacer - Wheel Bearing Spindle	48	—	—	38106	38106	—
Oil Seal - Block Vee	49	—	—	—	—	—
Needle Bearing Assembly	50	30339	30339	550759	550759	30339
Nut - Brake Mounting	52	30688	30688	— ⁽³⁾	30688	30688
Oil Seal	53	—	35311	—	—	—
Inner Wheel Bearing	54/76	—	706110X	706110X	706110X	706110X
Cup		550289	—	—	—	—
Cone		550403	—	—	—	—
Wheel Hub	55	—	— ⁽³⁾	—	—	—
Outer Wheel Bearing	56/74	706111X	706111X	706111X	706111X	706111X
Gasket-Drive Flange	60	—	30344	—	—	—
Flange-Axle Drive	61	—	30340	—	—	—
Snap Ring	62	31624	31624	31624	31624	31624
Hub Cap	63	31552	32001	31552	31552	31552
Nut	64	—	500371-3	—	—	—
Lockwasher	65	—	501209-3	—	—	—
Stud	66	—	31017	—	—	—
Hub Cap	67	31552	32001	31552	31552	31552
Axle Drive Gear	68	31125	—	31125	31125	31125
Pressure Spring	69	35218	—	35218	35218	35218
Plate-Spring Retaining	70	32589	—	32589	32589	32589
Wheel Bearing Adjusting Nut	71	31139	31139	31139	31139	31139
Retaining Lock Nut	72	36569	36569	36569	36569	36569
Nut & Pin Assembly-Inner Lock	73	21588X	21588X	21588X	21588X	21588X
Wheel Hub	75	— ⁽³⁾	—	— ⁽³⁾	— ⁽³⁾	— ⁽³⁾
Oil Seal	77	35313	—	35313	35313	35313
Hub Lock Assembly	N.I.	26133-3X	27369-3X	26133-3X	26133-3X	26133-3X
Knuckle Oil Seal & Bolt	N.I.	706207X	706230X	—	—	706207X
King Pin Bearing	N.I.	706159X	706150X	—	—	706159X

(3) Contact Vehicle Manufacturer

Ford Model 44 Front Axles Miscellaneous Small Parts

Description & Item Number (Refer to "Exploded View" at the front of this section)		Bills of Material				
		603396	603421	603422	603423	603424
Inner Pinion Bearing Kit	4	706031X	706031X	706031X	706031X	706031X
Pinion & Bearing Adjusting Shim (inc. items 5, 7, 12, 13, 16)	—	706358X	706617X	706617X	706617X	706617X
Differential & Pinion Shim (inc. items 5, 7, 12, 13, 16, 22)	—	706376X	706619X	706619X	706619X	706619X
Outer Pinion Bearing	8	706030X	706030X	706030X	706030X	706030X
Carrier Cover (inc. 15, 16, 17, 18)	—	706154X	706651X	700038	700038	706154X
Differential Bearing Adj. Shim (16, 22)	—	706086X	706618X	706618X	706618X	706618X
Differential Bearing	21	706032X	706032X	706032X	706032X	706032X
Seal & Guide Tube	31	—	36352	36352-1	36352-1	36352-1
Seal	—	32542-1	—	—	—	—
Guide	—	30703	—	—	—	—
Steering Knuckle Assembly - RH (inc. items 32, 33, 34, 36, 41)	—	706151X	706488X	706491X	706491X	706493X
Steering Knuckle Assembly - LH	N.I.	706152X	706489X	706492X	706492X	706494X
Socket Assy (32,33,34,35,36,37,38)	—	35183	706116X	706116X	706116X	706116X
Steering Arm	N.I.	706153X	—	—	—	706235X
Wheel Spindle Seal & Bearing (inc. items 47, 48, 49, 50)	—	—	706527X	706527X	706527X	706527X
Wheel Bearing Spindle (inc. items 47, 48, 49, 50, 51 or 74)	—	25789X	706552X	706552X	706552X	706553X
Stop Screw	39	30902	31026-2	31026-2	31026-2	31026-2
Jam Nut	40	500381-3	500381-3	500381-3	500381-3	500381-3
Oil Seal	47	—	38128	38128	38128	38128
Spacer - Wheel Bearing Spindle	48	—	38106	38106	38106	38106
Oil Seal - Block Vee	49	—	36361	36361	36361	36361
Needle Bearing Assembly	50	30339	550759	550759	550759	550759
Nut - Brake Mounting	52	30688	36805	36805	36805	36805
Oil Seal	53	35311	35313	35313	35311	35311
Inner Wheel Bearing	54/76	706139X	706110X	706110X	706110X	706110X
Cup	—	—	—	—	—	—
Cone	—	—	—	—	—	—
Wheel Hub	55	— (3)	— (3)	— (3)	— (3)	— (3)
Outer Wheel Bearing	56/74	706111X	706111X	706111X	706111X	706111X
Gasket-Drive Flange	60	30344	—	—	—	30344
Flange-Axle Drive	61	30340	—	—	—	30340
Snap Ring	62	31624	31624	31624	31624	31624
External Hub Cap	63	32001	—	—	—	32001
Nut	64	500371-3	—	—	—	500371-3
Lockwasher	65	501209-3	—	—	—	501209-3
Stud	66	31017	—	—	—	31017
Internal Hub Cap	67	32001	31552	31552	31552	—
Axle Drive Gear	68	—	31125	31125	31125	—
Pressure Spring	69	—	35218	35218	35218	—
Plate-Spring Retaining	70	—	32589	32589	32589	—
Wheel Bearing Adjusting Nut	71	31139	31139	31139	31139	31139
Retaining Lock Nut	72	36569	36569	36569	36569	36569
Nut & Pin Assembly-Inner Lock	73	21588X	21588X	21588X	21588X	21588X
Wheel Hub	75	—	— (3)	— (3)	— (3)	— (3)
Oil Seal	77	—	—	—	—	—
Hub Lock Assembly	N.I.	27369-3X	26133X	26133X	26133X	27369-2X
Knuckle Oil Seal & Bolt	N.I.	706230X	—	—	—	—
King Pin Bearing	N.I.	706150X	—	—	—	—

(3) Contact Vehicle Manufacturer

Ford Model 44 Front Axles Miscellaneous Small Parts

Description & Item Number (Refer to "Exploded View" at the front of this section)		Bills of Material				
		603471	603472	603479	603480	603482
Inner Pinion Bearing Kit	4	706031X	706031X	706031X	706031X	706031X
Pinion & Bearing Adjusting Shim (inc. items 5, 7, 12, 13, 16)		706358X	706358X	706358X	706358X	706358X
Differential & Pinion Shim (inc. items 5, 7, 12, 13, 16, 22)		706376X	706376X	706376X	706376X	706376X
Outer Pinion Bearing	8	706030X	706030X	706030X	706030X	706030X
Carrier Cover (inc. 15, 16, 17, 18)		706112X	700038	706154X	706154X	700038
Differential Bearing Adj. Shim (16, 22)		706086X	706086X	706086X	706086X	706086X
Differential Bearing	21	706032X	706032X	706032X	706032X	706032X
Seal & Guide Tube	31	—	36352	—	—	36352
Seal		32542-1	—	32542-1	32542-1	—
Guide		30703	—	30703	30703	—
Steering Knuckle Assembly - RH (inc. items 32, 33, 34, 36, 41)		706105X	706113X	706156X	706151X	706113X
Steering Knuckle Assembly - LH	N.I.	706106X	706114X	706157X	706152X	706114X
Socket Assy (32,33,34,35,36,37,38)		706116X	706116X	30354	35183	706116X
Steering Arm	N.I.	—	—	706155X	706153X	—
Wheel Spindle Seal & Bearing (inc. items 47, 48, 49, 50)		706527X	706527X	—	—	706527X
Wheel Bearing Spindle (inc. items 47, 48, 49, 50, 51 or 74)		706539X	706539X	22137X	25789X	706539X
Stop Screw	39	31026-1	31026-1	31026-1	30902	31026-1
Jam Nut	40	500381-3	500381-3	500381-3	500381-3	500381-3
Oil Seal	47	38128	38128	—	—	38128
Spacer - Wheel Bearing Spindle	48	38106	38106	—	—	38106
Oil Seal - Block Vee	49	36361	36361	—	—	36361
Needle Bearing Assembly	50	550759	550759	30339	30339	550759
Nut - Brake Mounting	52	30688	30688	30688	30688	30688
Oil Seal	53	—	—	—	35311	—
Inner Wheel Bearing	54/76	706110X	706110X	706110X	706139X	706110X
Cup		—	—	—	—	—
Cone		—	—	—	—	—
Wheel Hub	55	—	—	—	— (3)	—
Outer Wheel Bearing	56/74	706111X	706111X	706111X	706111X	706111X
Gasket-Drive Flange	60	—	—	—	30344	—
Flange-Axle Drive	61	—	—	—	30340	—
Snap Ring	62	31624	31624	31624	31624	31624
External Hub Cap	63	31552	31552	31552	32001	31552
Nut	64	—	—	—	500371-3	—
Lockwasher	65	—	—	—	501209-3	—
Stud	66	—	—	—	31017	—
Internal Hub Cap	67	31552	31552	31552	32001	31552
Axle Drive Gear	68	31125	31125	31125	—	31125
Pressure Spring	69	35218	35218	35218	—	35218
Plate-Spring Retaining	70	32589	32589	32589	—	32589
Wheel Bearing Adjusting Nut	71	31139	31139	31139	31139	31139
Retaining Lock Nut	72	36569	36569	36569	36569	36569
Nut & Pin Assembly-Inner Lock	73	21588X	21588X	21588X	21588X	21588X
Wheel Hub	75	— (3)	— (3)	— (3)	—	— (3)
Oil Seal	77	35313	35313	35313	—	35313
Hub Lock Assembly	N.I.	26133-3X	26133-3X	—	27369-3X	—
Knuckle Oil Seal & Bolt	N.I.	—	—	706207X	706230X	—
King Pin Bearing	N.I.	—	—	706159X	706150X	—

(3) Contact Vehicle Manufacturer

Ford Model 44 Front Axles

Miscellaneous Small Parts

Description & Item Number (Refer to "Exploded View" at the front of this section)		Bills of Material				
		603690	603762	603780	603781	603782
Inner Pinion Bearing Kit	4	706031X	706031X	706031X	706031X	706031X
Pinion & Bearing Adjusting Shim (inc. items 5, 7, 12, 13, 16)		706617X	706617X	706358X	706358X	706358X
Differential & Pinion Shim (inc. items 5, 7, 12, 13, 16, 22)		706619X	706619X	706376X	706376X	706376X
Outer Pinion Bearing	8	706030X	706030X	706030X	706030X	706030X
Carrier Cover (inc. 15, 16, 17, 18)		700038	706154X	706112X	700038	700038
Differential Bearing Adj. Shim (16, 22)		706618X	706618X	706086X	706086X	706086X
Differential Bearing	21	706032X	706032X	706032X	706032X	706032X
Seal & Guide Tube	31	36352	36352	36352	36352	36352
Seal		—	—	—	—	—
Guide		—	—	—	—	—
Steering Knuckle Assembly - RH (inc. items 32, 33, 34, 36, 41)		706491X	706493X	706488X	706491X	706491X
Steering Knuckle Assembly - LH	N.I.	706492X	706494X	706489X	706492X	706492X
Socket Assy (32,33,34,35,36,37,38)		706116X	706116X	706116X	706116X	706116X
Steering Arm	N.I.	—	706235X	—	—	—
Wheel Spindle Seal & Bearing (inc. items 47, 48, 49, 50)		706527X	706527X	706527X	706527X	706527X
Wheel Bearing Spindle (inc. items 47, 48, 49, 50, 51 or 74)		706552X	706553X	706552X	706552X	706552X
Stop Screw	39	31026-2	31026-2	31026-2	31026-2	31026-2
Jam Nut	40	500381-3	500381-3	500381-3	500381-3	500381-3
Oil Seal	47	38128	38128	38128	38128	38128
Spacer - Wheel Bearing Spindle	48	38106	38106	38106	38106	38106
Oil Seal - Block Vee	49	36361	36361	36361	36361	36361
Needle Bearing Assembly	50	550759	550759	550759	550759	550759
Nut - Brake Mounting	52	36805	36805	36805	36805	36805
Oil Seal	53	35311	35311	—	—	—
Inner Wheel Bearing	54/76	706110X	706110X	706110X	706110X	706110X
Cup		—	—	—	—	—
Cone		—	—	—	—	—
Wheel Hub	55	— (3)	— (3)	—	—	—
Outer Wheel Bearing	56/74	706111X	706111X	706111X	706111X	706111X
Gasket-Drive Flange	60	—	30344	—	—	—
Flange-Axle Drive	61	—	30340	—	—	—
Snap Ring	62	31624	31624	31624	31624	31624
External Hub Cap	63	—	32001	31552	31552	31552
Nut	64	—	500371-3	—	—	—
Lockwasher	65	—	501209-3	—	—	—
Stud	66	—	31017	—	—	—
Internal Hub Cap	67	31552	—	31552	31552	31552
Axle Drive Gear	68	31125	—	31125	31125	31125
Pressure Spring	69	35218	—	35218	35218	35218
Plate-Spring Retaining	70	32589	—	32589	32589	32589
Wheel Bearing Adjusting Nut	71	31139	31139	31139	31139	31139
Retaining Lock Nut	72	36569	36569	36569	36569	36569
Nut & Pin Assembly-Inner Lock	73	21588X	21588X	21588X	21588X	21588X
Wheel Hub	75	— (3)	— (3)	— (3)	— (3)	— (3)
Oil Seal	77	35313	35313	35313	—	—
Hub Lock Assembly	N.I.	26133X	27369-2X	26133-3X	26133-3X	—
Knuckle Oil Seal & Bolt	N.I.	—	—	—	—	—
King Pin Bearing	N.I.	—	—	—	—	—

(3) Contact Vehicle Manufacturer

Ford Model 44 Front Axles Miscellaneous Small Parts

Description & Item Number (Refer to "Exploded View" at the front of this section)		Bills of Material				
		603783 603784	603808 603809	610005	610006	610010
Inner Pinion Bearing Kit	4	706031X	706031X	706031X	706031X	706031X
Pinion & Bearing Adjusting Shim (inc. items 5, 7, 12, 13, 16)		706358X	706617X	706358X	706358X	706358X
Differential & Pinion Shim (inc. items 5, 7, 12, 13, 16, 22)		706376X	706619X	706376X	706376X	706376X
Outer Pinion Bearing	8	706030X	706030X	706030X	706030X	706030X
Carrier Cover (inc. 15, 16, 17, 18)		706154X	700038	706154X	706154X	700038
Differential Bearing Adj. Shim (16, 22)		706086X	706618X	706086X	706086X	706086X
Differential Bearing	21	706032X	706032X	706032X	706032X	706032X
Seal & Guide Tube	31	36352	36352	36352	36352	36352
Seal		—	—	—	—	—
Guide		—	—	—	—	—
Steering Knuckle Assembly - RH (inc. items 32, 33, 34, 36, 41)		706493X	706491X	706493X	706493X	700010
Steering Knuckle Assembly - LH	N.I.	706494X	706492X	706494X	706494X	700011
Socket Assy (32,33,34,35,36,37,38)		706116X	706116X	706116X	706116X	706116X
Steering Arm	N.I.	706235X	—	706235X	706235X	700012
Wheel Spindle Seal & Bearing (inc. items 47, 48, 49, 50)		706527X	706527X	706527X	706527X	706527X
Wheel Bearing Spindle (inc. items 47, 48, 49, 50, 51 or 74)		706553X	706552X	706553X	706553X	700004
Stop Screw	39	31026-2	31026-2	31026-2	31026-2	31026-2
Jam Nut	40	500381-3	500381-3	500381-3	500381-3	500381-5
Oil Seal	47	38128	38128	38128	38128	38128
Spacer - Wheel Bearing Spindle	48	38106	38106	38106	38106	38106
Oil Seal - Block Vee	49	36361	36361	36361	36361	36361
Needle Bearing Assembly	50	550759	550759	550759	550759	550759
Nut - Brake Mounting	52	36805	36805	36805	36805	36805
Oil Seal	53	35311	35311	35311	35311	—
Inner Wheel Bearing	54/76	706110X	706110X	706110X	706110X	706074X
Cup		—	—	—	—	—
Cone		—	—	—	—	—
Wheel Hub	55	— (3)	— (3)	— (3)	— (3)	—
Outer Wheel Bearing	56/74	706111X	706111X	706111X	706111X	706111X
Gasket-Drive Flange	60	30344	—	30344	30344	—
Flange-Axle Drive	61	30340	—	30340	30340	—
Snap Ring	62	31624	31624	31624	31624	620147
External Hub Cap	63	32001	—	32001	32001	31552
Nut	64	—	—	—	—	—
Lockwasher	65	—	—	—	—	—
Stud	66	—	—	—	—	—
Internal Hub Cap	67	32001	31552	32001	32001	31552
Axle Drive Gear	68	30340	31125	30340	30340	31125
Pressure Spring	69	—	35218	—	—	35218
Plate-Spring Retaining	70	—	32589	—	—	32589
Wheel Bearing Adjusting Nut	71	31139	31139	31139	31139	620165
Retaining Lock Nut	72	36569	36569	36569	36569	36569
Nut & Pin Assembly-Inner Lock	73	21588X	21588X	21588X	21588X	21588X
Wheel Hub	75	—	— (3)	—	—	— (3)
Oil Seal	77	—	—	—	—	35313
Hub Lock Assembly	N.I.	—	26133X	27369-3X	—	660095
Knuckle Oil Seal & Bolt	N.I.	—	—	—	—	—
King Pin Bearing	N.I.	—	—	—	—	—

(3) Contact Vehicle Manufacturer

Ford Model 44 Front Axles

Kits & Small Parts - Use with All Applications

Description & Item Number (Refer to "Exploded View" at the front of this section)		Bills of Material			
		610047	610048		
Inner Pinion Bearing Kit	4	706031X	706031X		
Pinion & Bearing Adjusting Shim (inc. items 5, 7, 12, 13, 16)		706617X	706617X		
Differential & Pinion Shim (inc. items 5, 7, 12, 13, 16, 22)		706619X	706619X		
Outer Pinion Bearing	8	706030X	706030X		
Carrier Cover (inc. 15, 16, 17, 18)		700038	700038		
Differential Bearing Adj. Shim (16, 22)		706618X	706618X		
Differential Bearing	21	706032X	706032X		
Seal & Guide Tube	31	620257-2	620216		
Seal		—	—		
Guide		—	—		
Steering Knuckle Assembly - RH (inc. items 32, 33, 34, 36, 41)		700035	700001		
Steering Knuckle Assembly - LH	N.I.	700036	700002		
Socket Assy (32,33,34,35,36,37,38)		706116X	706116X		
Steering Arm	N.I.	—	700003		
Wheel Spindle Seal & Bearing (inc. items 47, 48, 49, 50)		706527X	706527X		
Wheel Bearing Spindle (inc. items 47, 48, 49, 50, 51 or 74)		706552X	706552X		
Stop Screw	39	31026-2	620143-2		
Jam Nut	40	35566	500381-3		
Oil Seal	47	38128	38128		
Spacer - Wheel Bearing Spindle	48	38106	38106		
Oil Seal - Block Vee	49	36361	36361		
Needle Bearing Assembly	50	550759	550759		
Nut - Brake Mounting	52	36805	36805		
Oil Seal	53	35313	35313		
Inner Wheel Bearing	54/76	706110X	706110X		
Cup		—	—		
Cone		—	—		
Wheel Hub	55	—	—		
Outer Wheel Bearing	56/74	706111X	706111X		
Gasket-Drive Flange	60	—	—		
Flange-Axle Drive	61	—	—		
Snap Ring	62	620147	620147		
Hub Cap	63	36858	36858		
Nut	64	—	—		
Lockwasher	65	—	—		
Stud	66	—	—		
Hub Cap	67	36858	36858		
Axle Drive Gear	68	38343	38343		
Pressure Spring	69	35218	35218		
Plate-Spring Retaining	70	32589	32589		
Wheel Bearing Adjusting Nut	71	620165	620165		
Retaining Lock Nut	72	36569	36569		
Nut & Pin Assembly-Inner Lock	73	21588X	21588X		
Wheel Hub	75	— ⁽³⁾	— ⁽³⁾		
Oil Seal	77	—	—		
Hub Lock Assembly	N.I.	70032-2X	70032-2X		
Knuckle Oil Seal & Bolt	N.I.	—	—		
King Pin Bearing	N.I.	—	—		

Ford Model 44 Front Axles Kit Components

ITEM NO.	DESCRIPTION	ITEM NO.	DESCRIPTION	ITEM NO.	DESCRIPTION
Carrier Cover		Differential Case Assembly (Trac-Lok)		Differential Parts (Powr-Lok)	
15	Carrier Cover	16	Carrier Cover Gasket / Sealant	16	Carrier Cover Gasket / Sealant
16	Carrier Cover Gasket / Sealant	21	KIT – Differential Bearing	89	Shaft – Differential
17	Plug – Carrier Cover	22	Shim – Differential Bearing	90	Pinion – Differential
18	Bolt – Carrier Cover	24	Bolt – Drive Gear	91	Gear – Differential
Drive Pinion & Gear Assembly		25	Pinion – Differential	92	Ring – Differential Gear
2	Drive Pinion & Gear Assembly	27	Thrustwasher – Diff. Pinion	93	Plate – Differential
3	Slinger – Inner Pinion Bearing	75	Case – Differential	94	Disc – Differential
4	KIT – Inner Pinion Bearing	76	Gear – Differential	95	Disc – Differential (dished)
5	Inner Pinion Shims	77	Shaft – Differential	96	Plate – Differential (dished)
6	Baffle – Pinion Bearing	78	Snap Ring	Differential Parts (Trac-Lok)	
7	Outer Pinion Shims	79	Spacer – Diff. Gear (dished)	16	Carrier Cover Gasket / Sealant
8	KIT – Outer Pinion Bearing	80	Plate – Differential	24	Bolt – Drive Gear
9	Slinger – Outer Pinion Bearing	81	Disc – Differential	25	Pinion – Differential
10	Seal – Pinion Oil	82	Plate – Differential	27	Thrustwasher – Diff. Pinion
12	Washer – Pinion Nut	83	Clip – Diff. Clutch Retainer	76	Gear – Differential
13	Pinion Nut	Differential Case (standard)		77	Shaft – Differential
16	Carrier Cover Gasket / Sealant	16	Carrier Cover Gasket / Sealant	78	Snap Ring
22	Shim – Differential Bearing	22	Shim – Differential Bearing	79	Spacer – Diff. Gear (dished)
24	Bolt – Drive Gear	23	Case – Differential	80	Plate – Differential
Differential Case Assembly (standard)		24	Bolt – Drive Gear	81	Disc – Differential
16	Carrier Cover Gasket / Sealant	30	Lock – Differential Shaft	82	Plate – Differential
21	KIT – Differential Bearing	Differential Case (Powr-Lok)		83	Clip – Diff. Clutch Retainer
22	Shim – Differential Bearing	16	Carrier Cover Gasket / Sealant		
23	Case – Differential	22	Shim – Differential Bearing		
24	Bolt – Drive Gear	24	Bolt – Drive Gear		
25	Pinion – Differential	87	Flange Half – Differential Case		
26	Gear – Differential	88	Cap Half – Differential Case		
27	Thrustwasher – Diff. Pinion	97	Bolt – Differential Case		
28	Thrustwasher – Diff. Gear	Differential Case (Trac-Lok)			
29	Shaft – Differential Pinion	16	Carrier Cover Gasket / Sealant		
30	Lock – Differential Shaft	22	Shim – Differential Bearing		
Differential Case Assembly (Powr-Lok)		24	Bolt – Drive Gear		
16	Carrier Cover Gasket / Sealant	75	Case – Differential		
21	KIT – Differential Bearing	78	Snap Ring		
22	Shim – Differential Bearing	Differential Parts (standard)			
24	Bolt – Drive Gear	16	Carrier Cover Gasket / Sealant		
87	Flange Half – Differential Case	24	Bolt – Drive Gear		
88	Cap Half – Differential Case	25	Pinion – Differential		
89	Shaft – Differential	26	Gear – Differential		
90	Pinion – Differential	27	Thrustwasher – Diff. Pinion		
91	Gear – Differential	28	Thrustwasher – Diff. Gear		
92	Ring – Differential Gear	29	Shaft – Differential Pinion		
93	Plate – Differential	30	Lock – Differential Shaft		
94	Disc – Differential				
95	Disc – Differential (dished)				
96	Plate – Differential (dished)				
97	Bolt – Differential Case				

When replacing Carrier Cover Gasket, replace with same type originally used. RTV tube gasket recommended for use on flat flange type cover. Paper or cork gasket recommended for use on ribbed flange cover.

Ford Model 44 Front Axles

Axle Shaft Dimensions

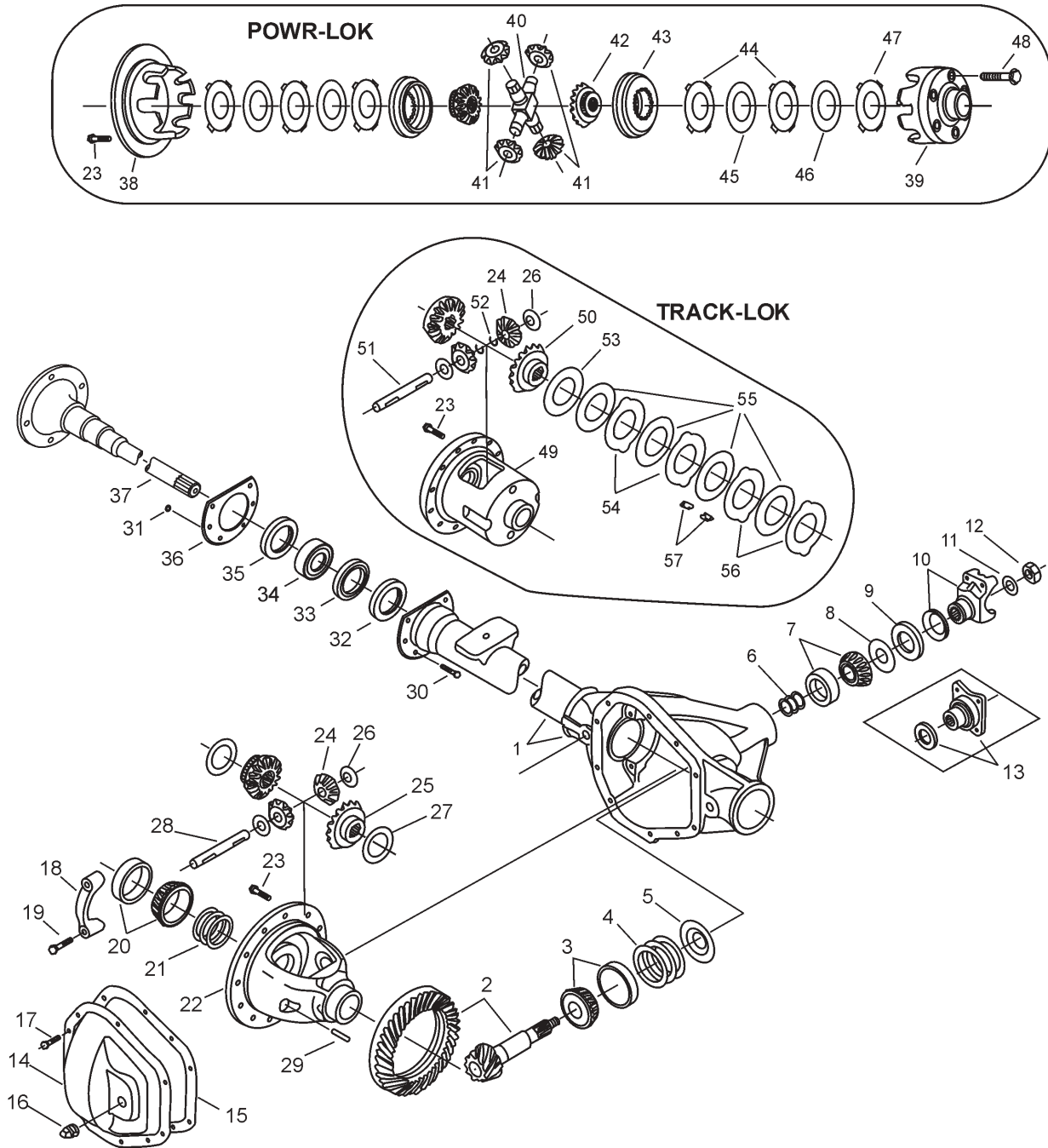
Complete Assembly Number	Inner Shaft - Side Gear End			Outer Shaft - Spline End			Axle Shaft & Joint Assembly		
	Major Spline Diameter	Centerline to End of Spline	Yoke Shaft Part Number	Major Spline Diameter	Centerline to End of Spline	Yoke Shaft Part Number	Side	Overall Length	Cross & Bearing Kit
28360-1X	1 5/16" -30	34 15/16"	2-82-551-5	1 1/4" -19	9 17/32"	2-82-391	Right	44 15/16"	5-309X
28360-2X	1 5/16" -30	18 13/16"	2-82-551-6	1 1/4" -19	9 17/32"	2-82-391	Left	28 11/32"	5-309X
29508-1X	1 5/16" -30	34 3/4"	27902-35X	1 1/4" -19	10 21/32"	37951	Right	45 13/32"	5-297X
29508-2X	1 5/16" -30	18 5/8"	27902-31X	1 1/4" -19	10 21/32"	37951	Left	29 41/64"	5-297X
206032-3	1 5/16" -30	34 15/16"	2-82-551-5	1 1/4" -19	9 17/32"	2-82-391	Right	44 15/32"	5-297X
206032-4	1 5/16" -30	18 13/16"	2-82-551-6	1 1/4" -19	9 17/32"	2-82-391	Left	28 11/32"	5-297X
27490-3	1 5/16" -30	34 15/16"	3-82-471-3	1 1/4" -19	10 1/16"	3-82-411	Right	45"	5-86X
27490-4	1 5/16" -30	18 13/16"	3-82-471-4	1 1/4" -19	10 1/16"	3-82-411	Left	28 7/8"	5-86X
660003-1	1 5/16" -30	33 29/32"	27902-3X	1 1/4" -19	9 23/32"	620005	Right	43 5/8"	5-297X
660003-2	1 5/16" -30	18 29/32"	27902-4X	1 1/4" -19	9 23/32"	620005	Left	28 5/8"	5-297X
660003-3	1 5/16" -30	34 3/4"	27902-35X	1 1/4" -19	9 23/32"	620005	Right	44 15/32"	5-297X
660003-4	1 5/16" -30	18 5/8"	27902-31X	1 1/4" -19	9 23/32"	620005	Left	28 11/32"	5-297X
660029-1	1 5/16" -30	27 15/16"	2753-11X	1 1/4" -19	9 23/32"	620043	Right	37 21/32"	5-260X
660029-2	1 5/16" -30	18 5/16"	27553-5X	1 1/4" -19	9 23/32"	620043	Left	28 1/32"	5-260X
660106-3	1 5/16" -30	34 3/4"	27902-35X	1 1/4" -19	9 23/32"	620160	Right	44 15/32"	5-297X
660106-4	1 5/16" -30	18 5/8"	27902-31X	1 1/4" -19	9 23/32"	620160	Left	28 11/32"	5-297X
901510-1	1 5/16" -30	33 29/32"	27648-1X	1 1/4" -19	9 23/32"	2-82-1011	Right	43 5/8"	5-260X
901510-2	1 5/16" -30	36 31/32"	27648-2X	1 1/4" -19	9 23/32"	2-82-1011	Left	28 5/8"	5-260X
902811-1	1 5/16" -30	33 29/32"	27648-1X	1 1/4" -19	9 23/32"	2-82-1121	Right	43 5/8"	5-260X
902811-2	1 5/16" -30	36 31/32"	27648-2X	1 1/4" -19	9 23/32"	2-82-1121	Left	28 5/8"	5-260X

Ford 1967-1978 1/2

Model 44 Rear Axles for

F-100 4x2 1/2 Ton Pick-up

Ford Model 44 Rear Axles Exploded View



Miscellaneous Small Parts

VEHICLE MODEL & BILL OF MATERIAL BASE NUMBER	Brake Mounting		Inboard Shaft Seal (item 32)	Wheel Bearing Retainer Ring (item 33)	Wheel Bearing Assembly (item 34)	Outboard Shaft Seal (item 35)	Oil Seal Retainer (item 36)
	Bolt (item 30)	Nut (item 31)					
For F100 Model							
Axle B.M. 602909, 602964	30175	30137	34419	32755	{550707} {550708} ⁽¹⁰⁾	32758	— ⁽³⁾
Axle B.M. 603830	— ⁽³⁾	36880	34419	32755	565903	35239	35238
Axle B.M. 603869, 603903	38998	30137	34419	38888	565903	35239	35238

(3) Contact Vehicle Manufacturer for Service
(10) Not a Kit (1 each required for applications listed)

Ford Model 44 Rear Axles Parts Listing

ITEM NO.	PART IDENTIFICATION	ITEM NO.	PART IDENTIFICATION	ITEM NO.	PART IDENTIFICATION
1 ⁽¹⁾	Housing – Axle Service	20	KIT – Differential Bearing	Power-Lok & Trak-Lok Differential	
2	Drive Pinion & Gear Assembly	21	PKG – Diff Bearing Shim (inc 15)		
3	KIT – Inner Pinion Bearing	22	Case – Differential	38	Flange Half – Differential Case
4	Inner Pinion Bearing Shims	23	Bolt – Drive Gear	39	Cap Half – Differential Case
5	Baffle – Pinion Bearing	24	Pinion – Differential	40	Shaft – Differential
6	Outer Pinion Bearing Shims	25	Gear – Differential	41	Pinion – Differential
7	KIT – Outer Pinion Bearing	26	Thrustwasher – Diff Pinion	42	Gear – Differential
8	Slinger – Outer Pinion Bearing	27	Thrustwasher – Diff Gear	43	Ring – Differential Gear
9	Seal – Pinion Oil	28	Shaft – Differential	44	Plate – Differential
10 ⁽²⁾	End Yoke or Assembly	29	Lock – Differential Shaft	45	Disc – Differential
11	Washer – Pinion Nut	30	Bolt – Brake Mounting	46	Disc – Differential (dished)
12	Pinion Nut	31	Nut – Brake Mounting	47	Plate – Differential (dished)
13 ⁽²⁾	Companion Flange Assembly	32	Seal – Inboard Shaft	48	Bolt – Differential Case
14	Carrier Cover	33	Retainer Ring – Wheel Bearing	49	Case – Differential
15	Gasket – Carrier Cover	34	Wheel Bearing Assembly	50	Gear – Differential
16	Plug – Carrier Cover	35	Seal – Outboard Shaft	51	Shaft – Differential
17	Bolt – Carrier Cover	36	Retainer – Oil Seal	52	Snap Ring
18 ⁽¹⁾	Cap – Differential Bearing	37	Axle Shaft Assembly	53	Spacer – Diff. Gear (dished)
19 ⁽¹⁾	Bolt – Differential Bearing Cap			54	Plate – Differential
				55	Disc – Differential
				56	Plate – Differential
				57	Clip – Diff. Clutch Retainer

(1) Contact Vehicle Manufacturer

(2) See Spicer Driveline Catalog J300P Section 10

Check availability on all Powr-Lok parts before ordering

Common Axle Kits - Use with All Applications

ITEM NO.	DESCRIPTION	KIT PART NUMBER	ITEM NO.	DESCRIPTION	KIT PART NUMBER
Carrier Cover		706101X⁽⁹⁾	Pinion & Bearing Adjusting Shim		706617X
14	Carrier Cover		4	Shim – Drive Pinion Adjusting	
15	Carrier Cover Gasket / Sealant		6	Shim – Pinion Bearing Adjusting	
16	Carrier Cover Plug		12	Pinion Nut	
17	Carrier Cover Bolt		15	Carrier Cover Gasket / Sealant	
Inner Pinion Bearing		706031X	Differential Bearing Adjusting Shim		706618X
3	KIT – Inner Pinion Bearing		15	Carrier Cover Gasket / Sealant	
Outer Pinion Bearing		706030X	21	Shim – Differential Bearing	
7	KIT – Outer Pinion Bearing		Differential & Pinion Shim		706619X
Differential Bearing		706032X	4	Shim – Drive Pinion Adjusting	
20	KIT – Differential Bearing		6	Shim – Pinion Bearing Adjusting	
			11	Washer – Pinion Nut	
			12	Pinion Nut	
			15	Carrier Cover Gasket / Sealant	
			21	Shim – Differential Bearing	

When replacing Carrier Cover Gasket, replace with same type originally used. RTV tube gasket recommended for use on flat flange type cover. Paper or cork gasket recommended for use on ribbed flange cover.

(9) On Bills of Material 603830 use Kit Number 706620X; On Bills of Material 603869 & 603903 use Kit Number 706700X

Ford Model 44 Rear Axles

Bill of Material Table

Axle			Axle Kits				Shaft & Joint Assy.	
Bill of Material	Diff. Type	Ratio	Ring Gear & Pinion Kit ⁽⁷⁾	Differential			Right Hand Shaft Assy.	Left Hand Shaft Assy.
				Case Assy. Kit ⁽⁸⁾	Case Kit	Inner Parts Kit		
1967 F-100 4x2 1/2 Ton Pick-up								
602909-2	Power-Lok	3.31	706613-11X	25364X	23435X	— ⁽⁹⁾	24820X	24820X
602906-4	Power-Lok	3.54	706613-4X	25364X	23435X	— ⁽⁹⁾	24820X	24820X
602906-6	Power-Lok	3.73	706613-6X	25364X	23435X	— ⁽⁹⁾	24820X	24820X
602906-8	Power-Lok	4.09	706613-5X	23727X	23436X	— ⁽⁹⁾	24820X	24820X
1968 F-100 4x2 1/2 Ton Pick-up								
602964-2	Power-Lok	3.31	706613-11X	25364X	23435X	— ⁽⁹⁾	25984-2X	25984-2X
602964-4	Power-Lok	3.54	706613-4X	25364X	23435X	— ⁽⁹⁾	25984-2X	25984-2X
602964-6	Power-Lok	3.73	706613-6X	25364X	23435X	— ⁽⁹⁾	25984-2X	25984-2X
602964-8	Power-Lok	4.09	706613-5X	23727X	23436X	— ⁽⁹⁾	25984-2X	25984-2X
1977 F-100 4x2 1/2 Ton Pick-up								
603830-1	Standard	3.07	706613-2X	706614X	706615X	706616X	706587-1X	706587-2X
603830-3	Standard	3.54	706613-4X	706614X	706615X	706616X	706587-1X	706587-2X
603830-5	Standard	3.23	706613-3X	706614X	706615X	706616X	706587-1X	706587-2X
603830-7	Standard	2.72	706613-1X	706614X	706615X	706616X	706587-1X	706587-2X
1977 1/2-78 F-100 4x2 1/2 Ton Pick-up								
603869-1	Standard	3.07	706613-2X	706614X	706615X	706616X	706647-1X	706647-2X
603869-3	Standard	3.54	706613-4X	706614X	706615X	706616X	706647-1X	706647-2X
603869-4	Trac-Lok	3.54	706613-4X	706628X	706629X	706630X	706647-1X	706647-2X
603869-5	Standard	3.23	706613-3X	706614X	706615X	706616X	706647-1X	706647-2X
603869-6	Trac-Lok	3.23	706613-3X	706628X	706629X	706630X	706647-1X	706647-2X
603869-7	Standard	2.72	706613-1X	706614X	706615X	706616X	706647-1X	706647-2X
603869-9	Trac-Lok	4.09	706613-5X	706658X	706659X	706630X	706647-1X	706647-2X
1978 1/2 F-100 4x2 1/2 Ton Pick-up								
603903-1	Standard	2.72	706613-1X	706614X	706615X	706616X	706587-1X	706587-2X
603903-2	Standard	3.07	706613-2X	706614X	706615X	706616X	706587-1X	706587-2X
603903-3	Standard	3.23	706613-3X	706614X	706615X	706616X	706587-1X	706587-2X
603903-4	Standard	3.54	706613-4X	706614X	706615X	706616X	706587-1X	706587-2X

- (7) See Ring Gear & Pinion Kits in XGI Catalog for ratio & tooth combinations.
- (8) See Differential Case Assy Kits in XGI Catalog for spline data & ratios.
- (9) Use internal parts from Case Assembly

Axle Shaft Dimensions

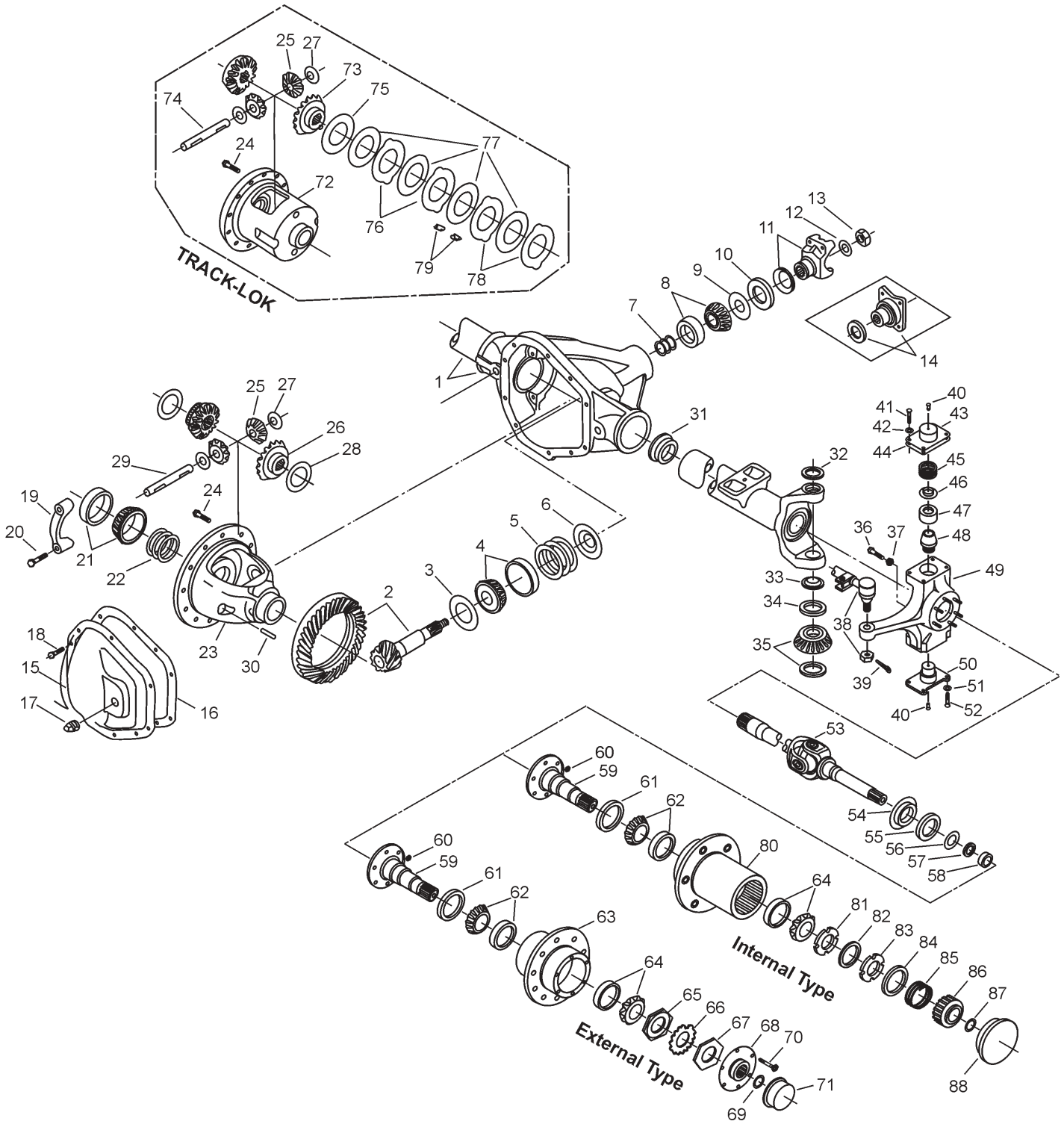
Part Number	Spline		Flange Face to End of Spline	Flange Diameter	Bolts	
	Diameter & Number of Splines	Length			Circle Diameter	Number of Bolt Holes
24820X	1 5/16" -30	1 13/16"	29 3/4"	7 1/16"	5 1/2"	5
25984-2X	1 5/16" -30	1 13/16"	29 25/32"	7 1/16"	5 1/2"	5
706587-1X	1 5/16" -30	1 13/16"	31 7/64"	7 1/16"	5 1/2"	5
706587-2X	1 5/16" -30	1 13/16"	32 39/64"	7 1/16"	5 1/2"	5
706647-1X	1 5/16" -30	1 13/16"	31 7/64"	7 1/16"	5 1/2"	5
706647-1X	1 5/16" -30	1 13/16"	32 39/64"	7 1/16"	5 1/2"	5

Ford 1974-1978

Model 60 Front Axles for

**F-250 Crew Cab Pick-up, Super Cab, Snowfighter
F-350**

Ford Model 60 Front Axles Exploded View



Ford Model 60 Front Axles Parts Listing

ITEM NO.	PART IDENTIFICATION	ITEM NO.	PART IDENTIFICATION	ITEM NO.	PART IDENTIFICATION
1 ⁽¹⁾	Housing – Axle Service	32	Seal – Upper King Pin	61	Oil Seal
2	Drive Pinion & Gear Assembly	33	Grease Retainer	62	KIT – Inner Wheel Bearing
3	Slinger – Inner Pinion Bearing	34	Oil Seal	63 ⁽¹⁾	Wheel Hub
4	KIT – Inner Pinion Bearing	35	KIT – Lower King Pin Bearing	64	KIT – Outer Wheel Bearing
5	Inner Pinion Shim	36	Stop Screw	65	Inner Wheel Bearing Nut
6	Baffle – Pinion Bearing	37	Jam Nut	66	Lock Nut
7	Outer Pinion Shims	38 ⁽¹⁾	Tie Rod Assembly	67	Outer Wheel Bearing Nut
8	KIT – Outer Pinion Bearing	39	Cotter Pin	68	Axle Drive Flange Gasket
9	Slinger – Outer Pinion Bearing	40	Lube Fitting	69	Snap Ring
10	Seal – Pinion Oil	41	Nut – Hex Tapered	70	Stud/Nut/Washer
11 ⁽²⁾	End Yoke Assembly	42	Lockwasher – Upper King Pin Cap	71	Hub Cap
12	Washer – Pinion Nut	43	Steering Arm (LH only)	80	Wheel Hub
13	Pinion Nut		Upper King Pin Cap (RH only)	81	Wheel Bearing Adj Nut - Inner
14 ⁽²⁾	Companion Flange Assembly	44	Gasket – King Pin Cap	82	Lock Nut
15	Carrier Cover	45	Compression Spring	83	Wheel Bearing Adj Nut - Outer
16	Carrier Cover Gasket / Sealant	46	Retainer Spring	84	Spring Retaining Plate
17	Plug – Carrier Cover	47	King Pin Bushing	85	Pressure Spring
18	Bolt – Carrier Cover (qty 10)	48	King Pin	86	Axle Drive Gear
19 ⁽¹⁾	Differential Bearing Cap	49	Knuckle Assembly	87	Snap Ring
20 ⁽¹⁾	Bolt – Differential Bearing Cap	50	Lower King Pin Bearing Cap	88	Hub Cap
21	KIT – Differential Bearing	51	Lockwasher – Lower King Pin Cap		
22	Shim – Differential Bearing	52	Hex Bolt – Lower King Pin Cap		
23	Case – Differential	53	Shaft & Joint Assembly		Power-Lok & Trak-Lok Differential
24	Bolt – Drive Gear (qty 10)	54	Slinger – Spindle Yoke (pressed on axle shaft if used)		
25	Pinion – Differential			72	Case – Differential
26	Gear – Differential	55	Oil Seal	73	Gear – Differential
27	Thrustwasher – Diff. Pinion	56	Spacer – Wheel Bearing Spindle	74	Shaft – Differential
28	Thrustwasher – Diff. Gear	57	Oil Seal - Block Vee	75	Spacer – Diff. Gear (dished)
29	Shaft – Differential Pinion	58	Needle Bearing Assembly	76	Plate – Differential
30	Lock – Differential Shaft	59	Wheel Bearing Spindle	77	Disc – Differential
31	Seal & Guide Tube	60	Brake Mounting Nut	78	Plate – Differential
				79	Clip – Diff. Clutch Retainer

(1) Contact Vehicle Manufacturer

(2) See Spicer Driveline Catalog J300P Section 10

Check availability on all Powr-Lok parts before ordering

Ford Model 60 Front Axles

Bill of Material Table

Axle			Axle Kits				Shaft & Joint Assy.	
Bill of Material	Diff. Type	Ratio	Ring Gear & Pinion Kit ⁽⁷⁾	Differential			Right Hand Shaft Assy.	Left Hand Shaft Assy.
				Case Assy. Kit ⁽⁸⁾	Case Kit	Inner Parts Kit		
1974-75 F-250 Crew Cab Pick-up								
603448-1	Standard	4.10	706660-3X	706664X	706668X	706671X	907396-1	907396-2
603448-2	Standard	4.10	706660-3X	706664X	706668X	706671X	907396-1	907396-2
603448-3	Trac-Lok	4.10	706660-3X	706662X	706666X	706670X	907396-1	907396-2
1975 1/2 F-250 Crew Cab Pick-up								
603628-1	Standard	4.10	706660-3X	706664X	706668X	706671X	907396-1	907396-2
603628-2	Standard	4.10	706660-3X	706664X	706668X	706671X	907396-1	907396-2
603628-3	Trac-Lok	4.10	706660-3X	706662X	706666X	706670X	907396-1	907396-2
1976 F-250 Crew Cab Pick-up								
603765-4	Trac-Lok	4.10	706660-3X	706662X	706666X	706670X	909033-2	909033-1
603765-5	No Spin	4.10	706660-3X	38098 ⁽⁹⁾	—	—	909033-2	909033-1
603765-6	Standard	4.10	706660-3X	706664X	706668X	706671X	909033-2	909033-1
1976 1/2 F-250 Crew Cab Pick-up								
603799-1	Standard	4.10	706660-3X	706664X	706668X	706671X	29926-1X	29926-2X
603799-2	Standard	4.10	706660-3X	706664X	706668X	706671X	29926-1X	29926-2X
1977 F-250 Crew Cab Pick-up								
603786-1	Standard	4.10	706660-3X	706664X	706668X	706671X	909033-2	909033-1
603786-2	Standard	4.10	706660-3X	706664X	706668X	706671X	909033-2	909033-1
603786-4	Trac-Lok	4.10	706660-3X	706662X	706666X	706670X	909033-2	909033-1
603786-5	No Spin	4.10	706660-3X	38098 ⁽⁹⁾	—	—	909033-2	909033-1
603786-6	Standard	4.10	706660-3X	706664X	706668X	706671X	909033-2	909033-1
610008-1	Standard	4.10	706660-3X	706664X	706668X	706671X	909033-2	909033-1
610008-2	Standard	4.10	706660-3X	706664X	706668X	706671X	909033-2	909033-1
610008-4	Trak-Lok	4.10	706660-3X	706662X	706666X	706670X	909033-2	909033-1
1978 F-250 Super Cab & Snowfighter, F350								
603903-4	Standard	3.54	700042-2	706662-1X	706666X	706460X	660048-1	660048-2
603903-6	Standard	4.10	700042-1	706703X	706668X	706702X	660048-1	660048-2
603903-8	Standard	3.54	700042-1	706034-4X	706666X	706460X	660048-1	660048-2
1978-79 F-250 Super Cab & Snowfighter, F350								
610023-1	Standard	3.54	700042-2	706703X	706668X	706702X	660048-1	660048-2
610023-2	Standard	3.54	700042-2	706703X	706668X	706702X	660048-1	660048-2
610023-4	Trak-Lok	3.54	700042-2	706662-1X	706666X	706460X	660048-1	660048-2
610023-5	Standard	4.10	700042-1	706703X	706668X	706702X	660048-1	660048-2
610023-6	Standard	4.10	700042-1	706703X	706668X	706702X	660048-1	660048-2
610023-8	Trak-Lok	4.10	700042-1	706662-1X	706666X	706460X	660048-1	660048-2
610023-9	Standard	4.10	700042-1	706703X	706668X	706702X	660048-1	660048-2
610023-10	Standard	3.54	700042-2	706703X	706668X	706702X	660048-1	660048-2
610023-11	Standard	3.54	700042-2	706703X	706668X	706702X	660048-1	660048-2
610023-12	Standard	4.10	700042-1	706703X	706668X	706702X	660048-1	660048-2
610023-13	Standard	4.10	700042-1	706703X	706668X	706702X	660048-1	660048-2

(7) See Ring Gear & Pinion Kits in XGI Catalog for ratio & tooth combinations.

(8) See Differential Case Assy Kits in XGI Catalog for spline data & ratios.

(9) Not a Kit (same as Detroit KS-57B)

Ford Model 60 Front Axles Kits & Parts — Use with All Applications

Description & Item Number (Refer to "Exploded View" at the front of this section)		Bills of Material				
		603448	603628	603765	603786	603799
Inner Pinion Bearing Kit	4	706046X	706046X	706046X	706046X	706046X
Pinion & Bearing Adjusting Shim (inc. items 5, 7, 12, 13, 16)		706672X	706672X	706672X	706672X	706359X
Differential & Pinion Shim (inc. items 5, 7, 12, 13, 16, 22)		706674X	706674X	706674X	706674X	706375X
Outer Pinion Bearing	8	706045X	706045X	706045X	706045X	706045X
Carrier Cover (inc. 15, 16, 17, 18)		706128X	706407X	706128X	706128X	706044X
Differential Bearing Adj. Shim (16, 22)		706673X	706673X	706673X	706673X	706374X
Differential Bearing	21	706047X	706047X	706047X	706047X	706047X
Seal & Guide Tube	31	36913	36913	36913	36913	36913
Seal — Upper King Pin	32	—	—	620058	620058	37303
KIT — King Pin Parts (inc. 32,33,34,35)	N.I.	—	—	706395X	706395X	706395X
KIT — King Pin Bearing	35	706150X	706150X	706150X	706150X	706150X
Steering Knuckle Assembly - RH (inc. items 35, 49, 50, 51, 52)	N.I.	706364X	706364X	—	—	—
Steering Knuckle Assembly - LH (inc. items 35, 49, 50, 51, 52)	N.I.	706365X	706365X	—	—	—
Stop Screw	36	30902	30902	31026-3	31026-3	31026-3
Jam Nut	37	500381-3	500381-3	500381-3	500381-3	500381-3
Cotter Pin	39	500024-4	500024-4	500024-4	500024-4	500024-4
Lube Fitting	40	—	—	500175-4	500175-4	500175-4
Nut — Hex Tapered	41	30875	30875	30875	30875	30875
KIT — Knuckle Oil Seal & Bolt	N.I.	706230X	706230X	—	—	—
KIT — Steering Arm (inc. 41, 42, 43)	N.I.	706153X	706153X	—	—	—
Steering Arm (LH only)	43	25439X	25439X	38086	38086	38086
Cap — Upper King Pin (RH only)		35183	35183	620132	620132	620132
Gasket — King Pin Cap	44	—	—	37307	37307	37307
Compression Spring	45	—	—	37300	37300	37300
Retainer Spring	46	—	—	—	—	—
Bushing — King Pin	47	—	—	37301	37301	37301
Knuckle Assembly (RH only)	49	29093X	29093X	29523X	29523X	29523X
Knuckle Assembly (LH only)	N.I.	29094X	29094X	29524X	29524X	29524X
Cap — Lower King Pin (RH only)	50	35183	35183	37299	37299	37299
Lockwasher — Lower King Pin Cap	51	500357-1	500357-1	500357-1	500357-1	500357-13
Hex Bolt — Lower King Pin Cap	52	500412-1	500412-1	500412-1	500412-1	500412-12
KIT — Wheel Spindle Seal & Bearing (inc. items 55, 56, 57, 58)	N.I.	28443X	—	706109X	706527X	706527X
KIT — Wheel Bearing Spindle (inc. items 57, 58, 59)	N.I.	—	—	706553X	706553X	706553X
Nut — Brake Mounting	60	36954	36954	36805	36805	36805
Washer — Brake Mounting	N.I.	36953	36953	—	—	—
Oil Seal	61	35311	35311	35311	35311	35311
Inner Wheel Bearing	62	706139X	706139X	706139X	706139X	706139X
Outer Wheel Bearing	64	706111X	706111X	706111X	706111X	706111X
Nut — Wheel Bearing Inner	65	21588X	21588X	21588X	21588X	21588X
Retaining Lock Nut	66	36569	36569	36569	36569	31139
Nut — Wheel Bearing Outer	67	31139	31139	31139	31139	—
Flange - Axle Drive	68	30340	30340	30340	30340	30340
Gasket - Drive Flange	N.I.	30344	30344	30344	30344	—
Snap Ring	69	31624	31624	31624	31624	31624
Stud	70	31017	31017	31017	31017	31017
Nut	N.I.	500371-3	500371-3	500371-3	500371-3	500371-3
Washer	N.I.	501209-3	501209-3	501209-3	501209-3	501209-3
Hub Cap	71	32001	32001	32001	32001	32001
Wheel Bearing Adjusting Nut - Inner	81	—	—	—	—	—

Ford Model 60 Front Axles

Kits & Parts — Use with All Applications

Description & Item Number (Refer to "Exploded View" at the front of this section)		Bills of Material			
		610008	610023		
Inner Pinion Bearing Kit	4	706046X	706046X		
Pinion & Bearing Adjusting Shim (inc. items 5, 7, 12, 13, 16)	—	706672X			
Differential & Pinion Shim (inc. items 5, 7, 12, 13, 16, 22)	—	706674X			
Outer Pinion Bearing	8	706045X	706045X		
Carrier Cover (inc. 15, 16, 17, 18)	—	706044X	700041		
Differential Bearing Adj. Shim (16, 22)	—	706374X	706673X		
Differential Bearing	21	706047X	706047X		
Seal & Guide Tube	31	36913	36487		
Seal — Upper King Pin	32	620058	620058		
KIT — King Pin Parts (inc. 32,33,34,35)	N.I.	706395X	706395X		
KIT — King Pin Bearing	35	706150X	706150X		
Steering Knuckle Assembly - RH (inc. items 35, 49, 50, 51, 52)	N.I.	—	73187X		
Steering Knuckle Assembly - LH (inc. items 35, 49, 50, 51, 52)	N.I.	—	73188X		
Stop Screw	36	31026-3	620143-3		
Jam Nut	37	500381-3	500381-3		
Cotter Pin	39	500024-4	500024-4		
Lube Fitting	40	500175-4	500175-4		
Nut — Hex Tapered	41	30875	30875		
KIT — Knuckle Oil Seal & Bolt	N.I.	—	—		
KIT — Steering Arm (inc. 41, 42, 43)	N.I.	—	—		
Steering Arm (LH only)	43	38086	620083		
Cap — Upper King Pin (RH only)		620132	620132		
Gasket — King Pin Cap	44	37307	37307		
Compression Spring	45	37300	37300		
Retainer Spring	46	620180	620180		
Bushing — King Pin	47	37301	37301		
Knuckle Assembly (RH only)	49	29523X	660050		
Knuckle Assembly (LH only)	N.I.	29524X	660051		
Cap — Lower King Pin (RH only)	50	37299	37299		
Lockwasher — Lower King Pin Cap	51	500357-1	500357-13		
Hex Bolt — Lower King Pin Cap	52	500412-1	500412-12		
KIT — Wheel Spindle Seal & Bearing (inc. items 55, 56, 57, 58)	N.I.	706527X	700023		
KIT — Wheel Bearing Spindle (inc. items 57, 58, 59)	N.I.	706553X	700022		
Nut — Brake Mounting	60	36805	36805		
Washer — Brake Mounting	N.I.	—	—		
Oil Seal	61	35311	37729		
Inner Wheel Bearing	62	706139X	706411X		
Outer Wheel Bearing	64	706111X	706074X		
Nut — Wheel Bearing Inner	65	21588X	33734		
Retaining Lock Nut	66	31139	33733		
Nut — Wheel Bearing Outer	67	—	33734		
Flange-Axle Drive	68	30340	—		
Gasket-Drive Flange	N.I.	—	—		
Snap Ring	69	31624	—		
Stud	70	31017	—		
Nut	N.I.	500371-3	—		
Washer	N.I.	501209-3	—		
Hub Cap	71	32001	—		
Wheel Bearing Adjusting Nut - Inner	81	—	33732		

Ford Model 60 Front Axles Kits & Parts — Use with All Applications

Description & Item Number (Refer to "Exploded View" at the front of this section)		Bills of Material				
		603448	603628	603765	603786	603799
Washer — Wheel Bearing - Inner	N.I.	—	—	—	—	—
Retaining Lock Nut	82	—	—	—	—	—
Wheel Bearing Adjusting Nut - Outer	83	—	—	—	—	—
Plate-Spring Retaining or Spacer	84	—	—	—	—	—
Axle Drive Gear	85	—	—	—	—	—
Snap Ring	86	—	—	—	—	—
Hub Cap	88	—	—	—	—	—
Hub Lock Assembly	N.I.	27369-3X	27369-3X	27369-3X	27369-3X	37979
Knuckle Seal - Felt	N.I.	33662	33662	—	—	—
Half Seal Retaining Plate	N.I.	33663	33663	—	—	—
Seal — Knuckle Assembly	N.I.	35261	35261	—	—	—

Description & Item Number (Refer to "Exploded View" at the front of this section)		Bills of Material			
		610008	610023		
Washer — Wheel Bearing - Inner	N.I.	—	3734		
Retaining Lock Nut	81	—	33733		
Wheel Bearing Adjusting Nut - Outer	82	—	33732		
Plate-Spring Retaining or Spacer	83	—	37997		
Axle Drive Gear	85	—	37994		
Snap Ring	86	—	620142		
Hub Cap	62	—	620194		
Hub Lock Assembly	N.I.	37979	660055-1		
Knuckle Seal - Felt	N.I.	—	—		
Half Seal Retaining Plate	N.I.	—	—		
Seal — Knuckle Assembly	N.I.	—	—		

Ford Model 60 Front Axles Kit Components

ITEM NO.	DESCRIPTION	ITEM NO.	DESCRIPTION	ITEM NO.	DESCRIPTION
Drive Pinion & Gear Assembly		Differential Case Assembly (Trac-Lok)		Differential Parts (standard)	
2	Drive Pinion & Gear Assembly	16	Carrier Cover Gasket / Sealant	16	Carrier Cover Gasket / Sealant
3	Slinger – Inner Pinion Bearing	21	KIT – Differential Bearing	24	Bolt – Drive Gear (qty 10)
4	KIT – Inner Pinion Bearing	22	Shim – Differential Bearing	25	Pinion – Differential
5	Inner Pinion Shims	24	Bolt – Drive Gear (qty 10)	26	Gear – Differential
6	Baffle – Pinion Bearing	25	Pinion – Differential	27	Thrustwasher – Diff. Pinion
7	Outer Pinion Shims	27	Thrustwasher – Diff. Pinion	28	Thrustwasher – Diff. Gear
8	KIT – Outer Pinion Bearing	72	Case – Differential	29	Shaft – Differential Pinion
9	Slinger – Outer Pinion Bearing	73	Gear – Differential	30	Lock – Differential Shaft
10	Seal – Pinion Oil	74	Shaft – Differential		
12	Washer – Pinion Nut	N.I.	Snap Ring	Differential Parts (Trac-Lok)	
13	Pinion Nut	75	Spacer – Diff. Gear (dished)	16	Carrier Cover Gasket / Sealant
16	Carrier Cover Gasket / Sealant	76	Plate – Differential	24	Bolt – Drive Gear (qty 10)
22	Shim – Differential Bearing	77	Disc – Differential	25	Pinion – Differential
24	Bolt – Drive Gear (qty 10)	78	Plate – Differential	27	Thrustwasher – Diff. Pinion
		79	Clip – Diff. Clutch Retainer	73	Gear – Differential
Differential Case Assembly (standard)		Differential Case (standard)		74	Shaft – Differential
16	Carrier Cover Gasket / Sealant	16	Carrier Cover Gasket / Sealant	N.I.	Snap Ring
21	KIT – Differential Bearing	22	Shim – Differential Bearing	75	Spacer – Diff. Gear (dished)
22	Shim – Differential Bearing	23	Case – Differential	76	Plate – Differential
23	Case – Differential	24	Bolt – Drive Gear (qty 10)	77	Disc – Differential
24	Bolt – Drive Gear (qty 10)	30	Lock – Differential Shaft	78	Plate – Differential
25	Pinion – Differential			79	Clip – Diff. Clutch Retainer
26	Gear – Differential	Differential Case (Trac-Lok)			
27	Thrustwasher – Diff. Pinion	16	Carrier Cover Gasket / Sealant		
28	Thrustwasher – Diff. Gear	22	Shim – Differential Bearing		
29	Shaft – Differential Pinion	24	Bolt – Drive Gear (qty 10)		
30	Lock – Differential Shaft	30	Lock – Differential Shaft		
		72	Case – Differential		

When replacing Carrier Cover Gasket, replace with same type originally used. RTV tube gasket recommended for use on flat flange type cover. Paper or cork gasket recommended for use on ribbed flange cover.

Axle Shaft Dimensions

Complete Assembly Number	Inner Shaft - Side Gear End			Outer Shaft - Spline End			Axle Shaft & Joint Assembly		
	Major Spline Diameter	Centerline to End of Spline	Yoke Shaft Part Number	Major Spline Diameter	Centerline to End of Spline	Yoke Shaft Part Number	Side	Overall Length	Cross & Bearing Kit
29926-1X ⁽⁹⁾	1 5/16" -30	33 13/64"	3-82-831-2	1 1/4" -19	11 19/64"	3-82-841	Right	44 45/64"	5-282X
29926-2X ⁽⁹⁾	1 5/16" -30	19 1/64"	3-82-831-1	1 1/4" -19	11 19/64"	3-82-841	Left	30 21/64"	5-282X
660048-1	1 1/2" -35	34 35/64"	3-82-801-10	1 5/16" -30	11 13/64"	620085	Right	45 61/64"	5-332X
660048-2	1 1/2" -35	18 43/64"	3-82-801-11	1 5/16" -30	11 13/64"	620085	Left	30 5/64"	5-332X
907396-1	1 5/16" -30	33 7/8"	3-82-771-1	1 1/4" -19	10 1/16"	3-82-411	Right	43 15/16"	5-86X
907396-2	1 5/16" -30	19 1/2"	3-82-771-2	1 1/4" -19	10 1/16"	3-82-411	Left	29 9/16"	5-86X
909033-1	1 5/16" -30	19 1/64"	3-82-831-1	1 1/4" -19	11 19/64"	3-82-841	Right	30 21/64"	5-282X
909033-2	1 5/16" -30	33 13/32"	3-82-831-2	1 1/4" -19	11 19/64"	3-82-841	Left	44 45/64"	5-282X

(9) Includes Slinger

Ford 1967-1978

Model 60 & 61 Rear Axles for

F-100 1/2 Ton 4x4 Pick-up

F-100 1/2 Ton HD Pick-up

F-250 3/4 Ton 4x2 Pick-up

F-250 3/4 Ton HD 4x2 Pick-up

F-250 3/4 Ton 4x4 Pick-up

F-250 3/4 Ton Camper Special Pick-up

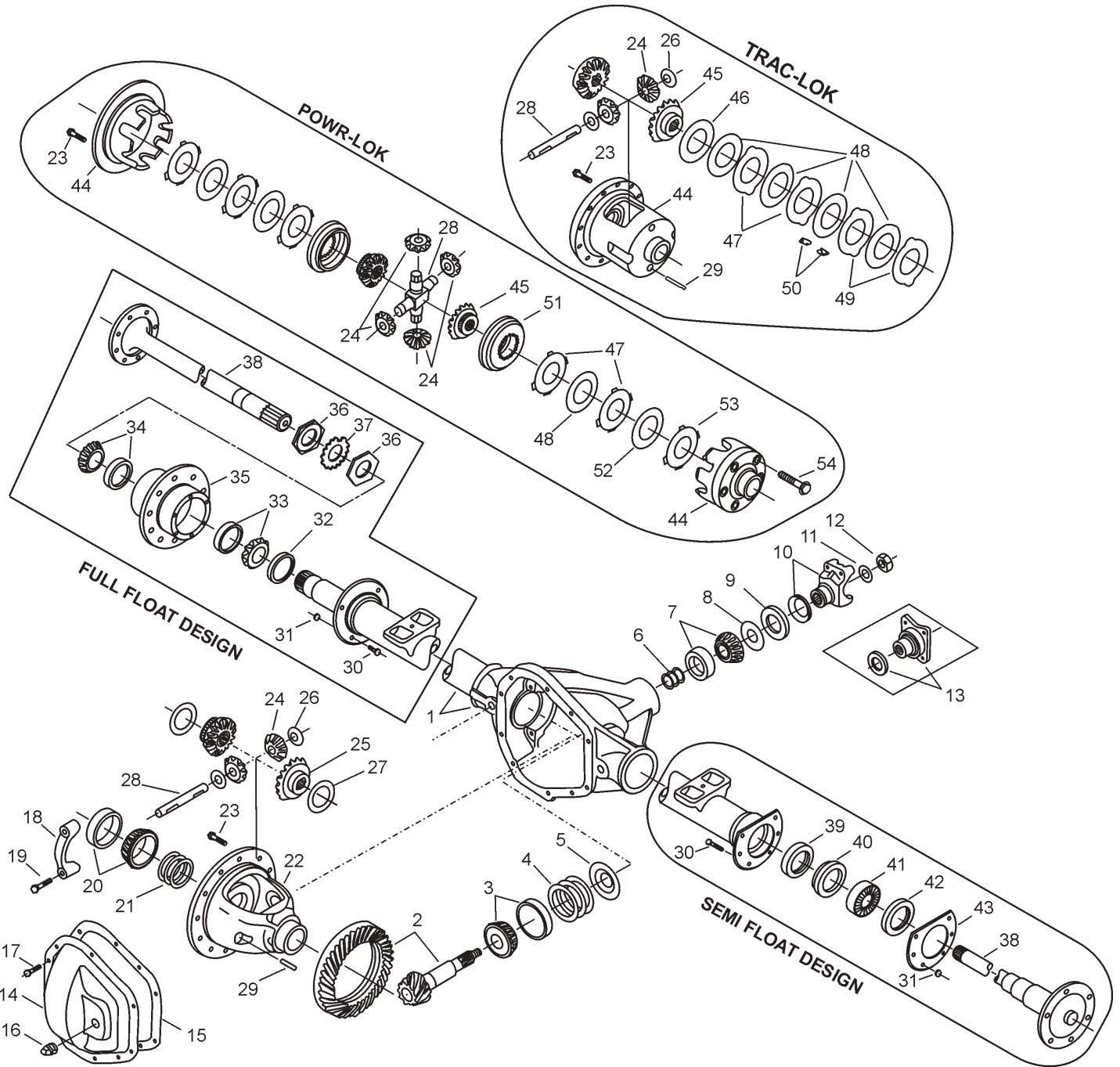
E-300 3/4 Ton Van

E-300 Cutaway Van & Motor Home

P-350 Parcel Delivery Van & Multi Stop

Ford Model 60/61 Rear Axles

Exploded View



Ford Model 60/61 Rear Axles

Parts Listing

ITEM NO.	PART IDENTIFICATION	ITEM NO.	PART IDENTIFICATION	ITEM NO.	PART IDENTIFICATION
1 ⁽¹⁾	Housing – Axle Service	22	Case – Differential		Power-Lok & Trak-Lok Differential
2	Drive Pinion & Gear Assembly	23	Bolt – Drive Gear (qty 10)		
3	KIT – Inner Pinion Bearing	24	Pinion – Differential	44	Case – Differential
4	Shim – Drive Pinion	25	Gear – Differential	45	Gear – Differential
5	Baffle – Pinion Bearing	26	Thrustwasher – Diff. Pinion	46	Spacer – Diff. Gear (dished)
6	Shim – Pinion Bearing	27	Thrustwasher – Differential Gear	47	Plate – Differential
7	KIT – Outer Pinion Bearing	28	Shaft – Differential Pinion	48	Disc – Differential
8	Slinger – Outer Pinion Bearing	29	Lock – Differential Shaft	49	Plate – Diff. (selective thick.)
9	Seal – Pinion Oil	30	Brake Mounting Bolt	50	Clip – Differential Clutch Retainer
10 ⁽²⁾	End Yoke Assembly	31	Brake Mounting Nut	51	Flange Half - Differential Case
11	Washer – Pinion Nut	32	Hub Seal	52	Cap Half – Differential Case
12	Pinion Nut	33	KIT – Inner Wheel Bearing	53	Shaft – Differential
13 ⁽²⁾	Companion Flange Assembly	34	KIT – Outer Wheel Bearing	54	Pinion – Differential
	KIT – Carrier Cover	35 ⁽²⁾	Wheel Hub	55	Gear – Differential
14	Carrier Cover	36	Spindle Nut	56	Ring – Differential
15	Carrier Cover Gasket / Sealant	37	Lockwasher – Spindle Nut	57	Plate – Differential
16	Plug – Carrier Cover	38	Shaft – Axle Flanged Drive	58	Disc – Differential
17	Bolt – Carrier Cover (qty 10)	39	Seal – Inboard Shaft	59	Disc – Differential (dished)
18 ⁽²⁾	Differential Bearing Cap	40	Retainer Ring – Wheel Bearing	60	Plate – Differential (dished)
19 ⁽²⁾	Bolt – Differential Bearing Cap	41	Wheel Bearing Assembly	61	Bolt – Differential Case
20	KIT – Differential Bearing	42	Seal – Outboard Shaft		
21	Shim – Differential Bearing	43	Retainer – Oil Seal		

(1) Contact Vehicle Manufacturer

(2) See Spicer Driveline Catalog J300P Section 10
Check availability on all Powr-Lok parts before ordering

Ford Model 60 Rear Axles

Bill of Material Table

Axle			Axle Kits				Shaft & Joint Assy.	
Bill of Material	Diff. Type	Ratio	Ring Gear & Pinion Kit ⁽⁷⁾	Differential			Right Hand Shaft Assy.	Left Hand Shaft Assy.
				Case Assy. Kit ⁽⁸⁾	Case Kit	Inner Parts Kit		
1967 F-100 1/2 Ton HD Pick-up - Semi-Float								
602907-2	Powr-Lok	3.54	706660-3X	25370X	706174X	— ⁽⁹⁾	24810X	24810X
602907-4	Powr-Lok	3.73	706660-1X	25370X	706174X	— ⁽⁹⁾	24810X	24810X
602907-5	Powr-Lok	4.10	706660-2X	25370X	706174X	— ⁽⁹⁾	24810X	24810X
1968 F-100 1/2 Ton HD Pick-up - Semi-Float								
602965-1	Standard	4.10	706660-3X	26167X	706668X	26271X	25984-1X	25984-1X
602965-2	Powr-Lok	4.10	706660-3X	25370X	706174X	— ⁽⁹⁾	25984-1X	25984-1X
602965-4	Powr-Lok	3.54	706660-1X	25370X	706174X	— ⁽⁹⁾	25984-1X	25984-1X
1969 F-100 1/2 Ton HD Pick-up - Semi-Float								
603043-1	Standard	4.10	706660-3X	26167X	706668X	26271X	25984-1X	25984-1X
603043-2	Powr-Lok	4.10	706660-3X	25370X	706174X	— ⁽⁹⁾	25984-1X	25984-1X
603043-4	Powr-Lok	3.54	706660-1X	25370X	706174X	— ⁽⁹⁾	25984-1X	25984-1X
603043-5	No Spin	3.54	706660-1X	—	—	—	25984-1X	25984-1X
603043-6	No Spin	4.10	706660-3X	—	—	—	25984-1X	25984-1X
1967 F-100 1/2 Ton 4x4 Pick-up - Semi-Float								
602908-5	Powr-Lok	4.10	706660-3X	25370X	706174X	— ⁽⁹⁾	24810X	24810X
602908-6	Powr-Lok	3.54	706660-1X	25370X	706174X	— ⁽⁹⁾	24810X	24810X
1968 F-100 1/2 Ton 4x4 Pick-up - Semi-Float								
602967-2	Powr-Lok	4.10	706660-3X	25370X	706174X	— ⁽⁹⁾	25984-1X	25984-1X
602967-4	Powr-Lok	3.54	706660-1X	25370X	706174X	— ⁽⁹⁾	25984-1X	25984-1X
602967-5	Powr-Lok	3.73	706660-2X	25370X	706174X	— ⁽⁹⁾	25984-1X	25984-1X
1969 F-100 1/2 Ton 4x4 Pick-up - Semi-Float								
603044-2	Powr-Lok	4.10	706660-3X	25370X	706174X	— ⁽⁹⁾	25984-1X	25984-1X
603044-4	Powr-Lok	3.54	706660-1X	25370X	706174X	— ⁽⁹⁾	25984-1X	25984-1X
1976-79 F-250 Crew Cab - Full-Float								
603725-5	Standard	3.73	706660-2X	706664X	706668X	706671X	35467-3	35467-3
603725-6	Trac-Lok	3.73	706660-2X	706662X	706666X	706670X	35467-3	35467-3
603725-7	Standard	3.73	706660-2X	706664X	706668X	706671X	35467-3	35467-3
603725-9	Standard	4.10	706660-3X	706664X	706668X	706671X	35467-3	35467-3
603725-10	Trac-Lok	4.10	706660-3X	706662X	706666X	706670X	35467-3	35467-3
603725-11	Standard	4.10	706660-3X	706664X	706668X	706671X	35467-3	35467-3
603725-12	Trac-Lok	4.10	706660-3X	706662X	706666X	706670X	35467-3	35467-3
603725-13	Standard	4.56	706660-4X	706665X	706669X	706671X	35467-3	35467-3
603725-14	Trac-Lok	4.56	706660-4X	706663X	706667X	706670X	35467-3	35467-3
603725-17	No Spin	4.10	706660-3X	—	—	—	35467-3	35467-3
603725-18	Standard	3.54	706660-1X	706664X	706668X	706671X	35467-3	35467-3
603725-19	Trac-Lok	3.54	706660-1X	706662X	706666X	706670X	35467-3	35467-3
603725-20	Standard	3.73	706660-2X	706664X	706668X	706671X	35467-3	35467-3
603725-21	Standard	4.10	706660-3X	706664X	706668X	706671X	35467-3	35467-3
603725-24	Trac-Lok	4.10	706660-3X	706662X	706666X	706670X	35467-3	35467-3
1967-68 F-250 3/4 Ton 4x2 Pick-up - Full-Float								
602910-1	Standard	4.10	706660-3X	706129X	706668X	706130X	30282	30282
602910-2	Powr-Lok	4.10	706660-3X	706208X	706174X	706177X	30282	30282
602910-3	Standard	4.56	706660-4X	706132X	706669X	706130X	30282	30282
602910-4	Powr-Lok	4.56	706660-4X	706209X	706175X	706177X	30282	30282
602910-5	Standard	3.73	706660-2X	706129X	706668X	706130X	30282	30282
602910-6	Powr-Lok	3.73	706660-2X	706208X	706174X	706177X	30282	30282

Continued on next page

(7) See Ring Gear & Pinion Kits in XGI Catalog for ratio & tooth combinations.
(8) See Differential Case Assy Kits in XGI Catalog for spline data & ratios.

Ford Model 60 Rear Axles

Bill of Material Table

Axle			Axle Kits				Shaft & Joint Assy.	
Bill of Material	Diff. Type	Ratio	Ring Gear & Pinion Kit ⁽⁷⁾	Differential			Right Hand Shaft Assy.	Left Hand Shaft Assy.
				Case Assy. Kit ⁽⁸⁾	Case Kit	Inner Parts Kit		
1967-68 F-250 3/4 Ton 4x2 Pick-up - Full-Float (Continued)								
602910-7	No Spin	4.10	706660-3X	—	—	—	30282	30282
602910-8	No Spin	4.56	706660-4X	—	—	—	30282	30282
602910-9	No Spin	3.73	706660-2X	—	—	—	30282	30282
602910-10	Standard	3.54	706660-1X	706129X	706668X	706130X	30282	30282
602910-11	Powr-Lok	3.54	706660-1X	706208X	706174X	706177X	30282	30282
1969 F-250 3/4 Ton 4x2 Pick-up - Full-Float								
603045-1	Standard	4.10	706660-3X	706129X	706668X	706130X	30282	30282
603045-2	Powr-Lok	4.10	706660-3X	706208X	706174X	706177X	30282	30282
603045-3	Standard	4.56	706660-4X	706132X	706669X	706130X	30282	30282
603045-4	Powr-Lok	4.56	706660-4X	706209X	706175X	706177X	30282	30282
603045-5	Standard	3.73	706660-2X	706129X	706668X	706130X	30282	30282
603045-6	Powr-Lok	3.73	706660-2X	706208X	706174X	706177X	30282	30282
603045-7	No Spin	4.10	706660-3X	—	—	—	30282	30282
603045-8	No Spin	4.56	706660-4X	—	—	—	30282	30282
603045-9	No Spin	3.73	706660-2X	—	—	—	30282	30282
603045-10	Standard	3.54	706660-1X	706129X	706668X	706130X	30282	30282
603045-11	Powr-Lok	3.54	706660-1X	706208X	706174X	706177X	30282	30282
1970 F-250 3/4 Ton 4x2 Pick-up - Full-Float								
603091-1	Standard	4.10	706660-3X	706129X	706668X	706130X	35445-1	35445-1
603091-2	Powr-Lok	4.10	706660-3X	706208X	706174X	706177X	35445-1	35445-1
603091-3	Standard	4.56	706660-4X	706132X	706669X	706130X	35445-1	35445-1
603091-4	Powr-Lok	4.56	706660-4X	706209X	706175X	706177X	35445-1	35445-1
603091-5	Standard	3.73	706660-2X	706129X	706668X	706130X	35445-1	35445-1
603091-6	Powr-Lok	3.73	706660-2X	706208X	706174X	706177X	35445-1	35445-1
603091-10	Standard	3.54	706660-1X	706129X	706668X	706130X	35445-1	35445-1
603091-11	Powr-Lok	3.54	706660-1X	706208X	706174X	706177X	35445-1	35445-1
1971-72 F-250 3/4 Ton 4x2 Pick-up - Full-Float								
603194-1	Standard	4.10	706660-3X	706129X	706668X	706130X	35445-1	35445-1
603194-2	Powr-Lok	4.10	706660-3X	706208X	706174X	706177X	35445-1	35445-1
603194-3	Standard	4.56	706660-4X	706132X	706669X	706130X	35445-1	35445-1
603194-4	Powr-Lok	4.56	706660-4X	706209X	706175X	706177X	35445-1	35445-1
603194-5	Standard	3.73	706660-2X	706129X	706668X	706130X	35445-1	35445-1
603194-6	Powr-Lok	3.73	706660-2X	706208X	706174X	706177X	35445-1	35445-1
603194-10	Standard	3.54	706660-1X	706129X	706668X	706130X	35445-1	35445-1
603194-11	Powr-Lok	3.54	706660-1X	706208X	706174X	706177X	35445-1	35445-1
603194-21	Trac-Lok	4.10	706660-3X	706034-2X	706666X	706131X	35445-1	35445-1
603194-22	Trac-Lok	4.56	706660-4X	706035-2X	706667X	706131X	35445-1	35445-1
603194-23	Trac-Lok	3.73	706660-2X	706034-2X	706666X	706131X	35445-1	35445-1
603194-24	Trac-Lok	3.54	706660-1X	706034-2X	706666X	706131X	35445-1	35445-1
1973-75 F-250 3/4 Ton 4x2 Pick-up - Full-Float								
603080-1	Standard	3.54	706660-1X	706129X	706668X	706130X	35445-2	35445-2
603080-3	Standard	3.54	706660-1X	706129X	706668X	706130X	35445-2	35445-2
603080-4	Trac-Lok	3.54	706660-1X	706034-2X	706666X	706131X	35445-2	35445-2
603080-5	Standard	3.73	706660-2X	706129X	706668X	706130X	35445-2	35445-2
603080-6	Trac-Lok	3.73	706660-2X	706034-2X	706666X	706131X	35445-2	35445-2
603080-7	Standard	3.73	706660-2X	706129X	706668X	706130X	35445-2	35445-2
603080-9	Standard	4.10	706660-3X	706129X	706668X	706130X	35445-2	35445-2

Continued on next page

(7) See Ring Gear & Pinion Kits in XGI Catalog for ratio & tooth combinations.

(8) See Differential Case Assy Kits in XGI Catalog for spline data & ratios.

Ford Model 60 Rear Axles

Bill of Material Table

Axle			Axle Kits				Shaft & Joint Assy.	
Bill of Material	Diff. Type	Ratio	Ring Gear & Pinion Kit ⁽⁷⁾	Differential			Right Hand Shaft Assy.	Left Hand Shaft Assy.
				Case Assy. Kit ⁽⁸⁾	Case Kit	Inner Parts Kit		
1973-75 F-250 3/4 Ton 4x2 Pick-up - Full-Float (Continued)								
603080-10	Trac-Lok	4.10	706660-3X	706034-2X	706666X	706131X	35445-2	35445-2
603080-11	Standard	4.10	706660-3X	706129X	706668X	706130X	35445-2	35445-2
603080-13	Standard	4.56	706660-4X	706132X	706669X	706130X	35445-2	35445-2
603080-14	Trac-Lok	4.56	706660-4X	706663X	706667X	706131X	35445-2	35445-2
603080-17	No Spin	3.54	706660-1X	—	—	—	35445-2	35445-2
603080-18	Standard	3.73	706660-2X	706129X	706668X	706130X	35445-2	35445-2
603080-19	Trac-Lok	3.73	706660-2X	706034-2X	706666X	706131X	35445-2	35445-2
603080-20	Standard	3.54	706660-1X	706129X	706668X	706130X	35445-2	35445-2
603080-21	Trac-Lok	3.54	706660-1X	706034-2X	706666X	706131X	35445-2	35445-2
603080-22	Standard	4.10	706660-3X	706129X	706668X	706130X	35445-2	35445-2
1976 F-250 3/4 Ton 4x2 Pick-up - Full-Float								
603581-1	Standard	3.54	706660-1X	706664X	706668X	706671X	35467-3	35467-3
603581-5	Standard	3.73	706660-2X	706664X	706668X	706671X	35467-3	35467-3
603581-6	Trac-Lok	3.73	706660-2X	706662X	706666X	706670X	35467-3	35467-3
603581-9	Standard	4.10	706660-3X	706664X	706668X	706671X	35467-3	35467-3
603581-10	Trac-Lok	4.10	706660-3X	706662X	706666X	706670X	35467-3	35467-3
603581-18	Standard	3.73	706660-2X	706664X	706668X	706671X	35467-3	35467-3
603581-19	Trac-Lok	3.73	706660-2X	706662X	706666X	706670X	35467-3	35467-3
603581-20	Standard	3.54	706660-1X	706664X	706668X	706671X	35467-3	35467-3
603581-21	Trac-Lok	3.54	706660-1X	706662X	706666X	706670X	35467-3	35467-3
603581-22	Standard	4.10	706660-3X	706664X	706668X	706671X	35467-3	35467-3
603581-24	Standard	4.56	706660-4X	706665X	706669X	706671X	35467-3	35467-3
603581-25	No Spin	4.10	706660-3X	—	—	—	35467-3	35467-3
1967-68 F-250 3/4 Ton HD 4x2 Pick-up - Full-Float								
602911-1	Standard	4.10	706660-3X	706129X	706668X	706130X	30282	30282
602911-2	Powr-Lok	4.10	706660-3X	706208X	706174X	706177X	30282	30282
602911-3	Standard	4.56	706660-4X	706132X	706669X	706130X	30282	30282
602911-4	Powr-Lok	4.56	706660-4X	706209X	706175X	706177X	30282	30282
602911-5	Standard	3.73	706660-2X	706129X	706668X	706130X	30282	30282
602911-6	Powr-Lok	3.73	706660-2X	706208X	706174X	706177X	30282	30282
602911-7	No Spin	4.10	706660-3X	—	—	—	30282	30282
602911-8	No Spin	4.56	706660-4X	—	—	—	30282	30282
602911-9	No Spin	3.73	706660-2X	—	—	—	30282	30282
602911-10	No Spin	4.88	706660-5X	—	—	—	30282	30282
602911-11	Standard	4.88	706660-5X	706132X	706669X	706130X	30282	30282
602911-12	Standard	3.54	706660-1X	706129X	706668X	706130X	30282	30282
602911-13	Powr-Lok	3.54	706660-1X	706208X	706174X	706177X	30282	30282
602911-14	Standard	3.54	706660-1X	706129X	706668X	706130X	30282	30282
602911-15	Powr-Lok	3.54	706660-1X	706208X	706174X	706177X	30282	30282
602911-16	Standard	3.73	706660-2X	706129X	706668X	706130X	30282	30282
602911-17	Powr-Lok	3.73	706660-2X	706208X	706174X	706177X	30282	30282
602911-18	Standard	4.10	706660-3X	706129X	706668X	706130X	30282	30282
602911-19	Powr-Lok	4.10	706660-3X	706208X	706174X	706177X	30282	30282
602911-20	No Spin	4.10	706660-3X	—	—	—	30282	30282
602911-21	No Spin	3.54	706660-1X	—	—	—	30282	30282
602911-22	No Spin	3.73	706660-2X	—	—	—	30282	30282

(7) See Ring Gear & Pinion Kits in XGI Catalog for ratio & tooth combinations.

(8) See Differential Case Assy Kits in XGI Catalog for spline data & ratios.

Ford Model 60 Rear Axles

Bill of Material Table

Axle			Axle Kits				Shaft & Joint Assy.	
Bill of Material	Diff. Type	Ratio	Ring Gear & Pinion Kit ⁽⁷⁾	Differential			Right Hand Shaft Assy.	Left Hand Shaft Assy.
				Case Assy. Kit ⁽⁸⁾	Case Kit	Inner Parts Kit		
1969 F-250 3/4 Ton HD 4x2 Pick-up - Full-Float								
603046-1	Standard	4.10	706660-3X	706129X	706668X	706130X	30282	30282
603046-2	Powr-Lok	4.10	706660-3X	706208X	706174X	706177X	30282	30282
603046-3	Standard	4.56	706660-4X	706132X	706669X	706130X	30282	30282
603046-4	Powr-Lok	4.56	706660-4X	706209X	706175X	706177X	30282	30282
603046-5	Standard	3.73	706660-2X	706129X	706668X	706130X	30282	30282
603046-6	Powr-Lok	3.73	706660-2X	706208X	706174X	706177X	30282	30282
603046-7	No Spin	4.10	706660-3X	—	—	—	30282	30282
603046-8	No Spin	4.56	706660-4X	—	—	—	30282	30282
603046-9	No Spin	3.73	706660-2X	—	—	—	30282	30282
603046-10	No Spin	4.88	706660-5X	—	—	—	30282	30282
603046-11	Standard	4.88	706660-5X	706132X	706669X	706130X	30282	30282
603046-12	Standard	3.54	706660-1X	706129X	706668X	706130X	30282	30282
603046-13	Powr-Lok	3.54	706660-1X	706208X	706174X	706177X	30282	30282
603046-14	Standard	3.54	706660-1X	706129X	706668X	706130X	30282	30282
603046-15	Powr-Lok	3.54	706660-1X	706208X	706174X	706177X	30282	30282
603046-16	Standard	3.73	706660-2X	706129X	706668X	706130X	30282	30282
603046-17	Powr-Lok	3.73	706660-2X	706208X	706174X	706177X	30282	30282
603046-18	Standard	4.10	706660-3X	706129X	706668X	706130X	30282	30282
603046-19	Powr-Lok	4.10	706660-3X	706208X	706174X	706177X	30282	30282
603046-20	No Spin	4.10	706660-3X	—	—	—	30282	30282
603046-21	No Spin	3.54	706660-1X	—	—	—	30282	30282
603046-22	No Spin	3.73	706660-2X	—	—	—	30282	30282
603046-23	Powr-Lok	4.88	706660-5X	706209X	706175X	706177X	30282	30282
1970 F-250 3/4 Ton HD 4x2 Pick-up - Full-Float								
603046-1	Standard	4.10	706660-3X	706129X	706668X	706130X	35445-1	35445-1
603046-2	Powr-Lok	4.10	706660-3X	706208X	706174X	706177X	35445-1	35445-1
603046-3	Standard	4.56	706660-4X	706132X	706669X	706130X	35445-1	35445-1
603046-4	Powr-Lok	4.56	706660-4X	706209X	706175X	706177X	35445-1	35445-1
603046-5	Standard	3.73	706660-2X	706129X	706668X	706130X	35445-1	35445-1
603046-6	Powr-Lok	3.73	706660-2X	706208X	706174X	706177X	35445-1	35445-1
603046-12	Standard	3.54	706660-1X	706129X	706668X	706130X	35445-1	35445-1
603046-13	Powr-Lok	3.54	706660-1X	706208X	706174X	706177X	35445-1	35445-1
603046-14	Standard	3.54	706660-1X	706129X	706668X	706130X	35445-1	35445-1
603046-15	Powr-Lok	3.54	706660-1X	706208X	706174X	706177X	35445-1	35445-1
603046-16	Standard	3.73	706660-2X	706129X	706668X	706130X	35445-1	35445-1
603046-17	Powr-Lok	3.73	706660-2X	706208X	706174X	706177X	35445-1	35445-1
603046-18	Standard	4.10	706660-3X	706129X	706668X	706130X	35445-1	35445-1
603046-19	Powr-Lok	4.10	706660-3X	706208X	706174X	706177X	35445-1	35445-1
1971-72 F-250 3/4 Ton HD 4x2 Pick-up - Full-Float								
603195-1	Standard	4.10	706660-3X	706129X	706668X	706130X	35445-1	35445-1
603195-2	Powr-Lok	4.10	706660-3X	706208X	706174X	706177X	35445-1	35445-1
603195-3	Standard	4.56	706660-4X	706132X	706669X	706130X	35445-1	35445-1
603195-4	Powr-Lok	4.56	706660-4X	706209X	706175X	706177X	35445-1	35445-1
603195-5	Standard	3.73	706660-2X	706129X	706668X	706130X	35445-1	35445-1
603195-6	Powr-Lok	3.73	706660-2X	706208X	706174X	706177X	35445-1	35445-1
603195-7	No Spin	4.10	706660-3X	—	—	—	35445-1	35445-1
603195-8	No Spin	4.56	706660-4X	—	—	—	35445-1	35445-1

Continued on next page

(7) See Ring Gear & Pinion Kits in XGI Catalog for ratio & tooth combinations.

(8) See Differential Case Assy Kits in XGI Catalog for spline data & ratios.

Ford Model 60 Rear Axles

Bill of Material Table

Axle			Axle Kits				Shaft & Joint Assy.	
Bill of Material	Diff. Type	Ratio	Ring Gear & Pinion Kit ⁽⁷⁾	Differential			Right Hand Shaft Assy.	Left Hand Shaft Assy.
				Case Assy. Kit ⁽⁸⁾	Case Kit	Inner Parts Kit		
1971-72 F-250 3/4 Ton HD 4x2 Pick-up - Full-Float (Continued)								
603195-9	No Spin	3.73	706660-2X	—	—	—	35445-1	35445-1
603195-10	No Spin	4.88	706660-5X	—	—	—	35445-1	35445-1
603195-11	Standard	4.88	706660-5X	706132X	706669X	706130X	35445-1	35445-1
603195-12	Standard	3.54	706660-1X	706129X	706668X	706130X	35445-1	35445-1
603195-13	Powr-Lok	3.54	706660-1X	706208X	706174X	706177X	35445-1	35445-1
603195-14	Standard	3.54	706660-1X	706129X	706668X	706130X	35445-1	35445-1
603195-15	Powr-Lok	3.54	706660-1X	706208X	706174X	706177X	35445-1	35445-1
603195-16	Standard	3.73	706660-2X	706129X	706668X	706130X	35445-1	35445-1
603195-17	Powr-Lok	3.73	706660-2X	706208X	706174X	706177X	35445-1	35445-1
603195-18	Standard	4.10	706660-3X	706129X	706668X	706130X	35445-1	35445-1
603195-19	Powr-Lok	4.10	706660-3X	706208X	706174X	706177X	35445-1	35445-1
603195-20	No Spin	4.10	706660-3X	—	—	—	35445-1	35445-1
603195-21	No Spin	3.54	706660-1X	—	—	—	35445-1	35445-1
603195-22	No Spin	3.73	706660-2X	—	—	—	35445-1	35445-1
603195-24	Standard	4.56	706660-4X	706132X	706669X	706130X	35445-1	35445-1
603195-25	Trac-Lok	4.10	706660-3X	706034-2X	706666X	706131X	35445-1	35445-1
603195-26	Trac-Lok	4.56	706660-4X	706035-2X	706667X	706131X	35445-1	35445-1
603195-27	Trac-Lok	3.73	706660-2X	706034-2X	706666X	706131X	35445-1	35445-1
603195-28	Trac-Lok	3.54	706660-1X	706034-2X	706666X	706131X	35445-1	35445-1
603195-29	Trac-Lok	3.54	706660-1X	706034-2X	706666X	706131X	35445-1	35445-1
603195-30	Trac-Lok	3.73	706660-2X	706034-2X	706666X	706131X	35445-1	35445-1
603195-31	Trac-Lok	4.10	706660-3X	706034-2X	706666X	706131X	35445-1	35445-1
1973-74 F-250 3/4 Ton HD 4x2 Pick-up - Full-Float								
603381-1	Standard	3.54	706660-1X	706129X	706668X	706130X	35445-2	35445-2
603381-3	Standard	3.54	706660-1X	706129X	706668X	706130X	35445-2	35445-2
603381-4	Trac-Lok	3.54	706660-1X	706034-2X	706666X	706131X	35445-2	35445-2
603381-5	Standard	3.73	706660-2X	706129X	706668X	706130X	35445-2	35445-2
603381-6	Trac-Lok	3.73	706660-2X	706034-2X	706666X	706131X	35445-2	35445-2
603381-7	Standard	3.73	706660-2X	706129X	706668X	706130X	35445-2	35445-2
603381-9	Standard	4.10	706660-3X	706129X	706668X	706130X	35445-2	35445-2
603381-9	Standard	4.10	706660-3X	706129X	706668X	706130X	35445-2	35445-2
603381-10	Trac-Lok	4.10	706660-3X	706034-2X	706666X	706131X	35445-2	35445-2
603381-11	Standard	3.73	706660-2X	706129X	706668X	706130X	35445-2	35445-2
603381-12	Trac-Lok	4.10	706660-3X	706034-2X	706666X	706131X	35445-2	35445-2
603381-13	Standard	4.56	706660-4X	706132X	706669X	706130X	35445-2	35445-2
603381-14	Trac-Lok	4.56	706660-4X	706035-2X	706667X	706131X	35445-2	35445-2
603381-17	No Spin	4.10	706660-3X	—	—	—	35445-2	35445-2
603381-19	Trac-Lok	3.73	706660-2X	706034-2X	706666X	706131X	35445-2	35445-2
603381-20	Standard	3.54	706660-1X	706129X	706668X	706130X	35445-2	35445-2
603381-21	Trac-Lok	3.54	706660-1X	706034-2X	706666X	706131X	35445-2	35445-2
603381-22	Standard	4.10	706660-3X	706129X	706668X	706130X	35445-2	35445-2
603381-23	Trac-Lok	4.10	706660-3X	706034-2X	706666X	706131X	35445-2	35445-2
603381-24	No Spin	3.54	706660-1X	—	—	—	35445-2	35445-2
603381-25	No Spin	4.56	706660-4X	—	—	—	35445-2	35445-2
603381-26	No Spin	3.54	706660-1X	—	—	—	35445-2	35445-2
603381-27	No Spin	4.10	706660-3X	—	—	—	35445-2	35445-2

(7) See Ring Gear & Pinion Kits in XGI Catalog for ratio & tooth combinations.

(8) See Differential Case Assy Kits in XGI Catalog for spline data & ratios.

Ford Model 60 Rear Axles Bill of Material Table

Axle			Axle Kits				Shaft & Joint Assy.	
Bill of Material	Diff. Type	Ratio	Ring Gear & Pinion Kit ⁽⁷⁾	Differential			Right Hand Shaft Assy.	Left Hand Shaft Assy.
				Case Assy. Kit ⁽⁸⁾	Case Kit	Inner Parts Kit		
1975-76 F-250 3/4 Ton HD 4x2 Pick-up - Full-Float								
603582-1	Standard	3.54	706660-1X	706664X	706668X	706671X	35467-3	35467-3
603582-5	Standard	3.73	706660-2X	706664X	706668X	706671X	35467-3	35467-3
603582-6	Trac-Lok	3.73	706660-2X	706662X	706666X	706670X	35467-3	35467-3
603582-9	Standard	4.10	706660-3X	706664X	706668X	706671X	35467-3	35467-3
603582-10	Trac-Lok	4.10	706660-3X	706662X	706666X	706670X	35467-3	35467-3
603582-13	Standard	4.56	706660-4X	706665X	706669X	706671X	35467-3	35467-3
603582-14	Trac-Lok	4.56	706660-4X	706662X	706666X	706670X	35467-3	35467-3
603582-17	No Spin	4.10	706660-3X	—	—	—	35467-3	35467-3
603582-18	Standard	3.73	706660-2X	706664X	706668X	706671X	35467-3	35467-3
603582-19	Trac-Lok	3.73	706660-2X	706662X	706666X	706670X	35467-3	35467-3
603582-20	Standard	3.54	706660-1X	706664X	706668X	706671X	35467-3	35467-3
603582-21	Trac-Lok	3.54	706660-1X	706662X	706666X	706670X	35467-3	35467-3
603582-22	Standard	4.10	706660-3X	706664X	706668X	706671X	35467-3	35467-3
603582-24	Standard	4.56	706660-4X	706665X	706669X	706671X	35467-3	35467-3
1976 1/2-77 F-250 3/4 Ton HD 4x2 Pick-up - Full-Float								
603715-2	Trac-Lok	3.54	706660-1X	706662X	706666X	706670X	35467-3	35467-3
603715-5	Standard	3.73	706660-2X	706664X	706668X	706671X	35467-3	35467-3
603715-6	Trac-Lok	3.73	706660-2X	706662X	706666X	706670X	35467-3	35467-3
603715-9	Standard	4.10	706660-3X	706664X	706668X	706671X	35467-3	35467-3
603715-10	Trac-Lok	4.10	706660-3X	706662X	706666X	706670X	35467-3	35467-3
603715-13	Standard	4.56	706660-4X	706665X	706669X	706671X	35467-3	35467-3
603715-17	No Spin	3.54	706660-1X	—	—	—	35467-3	35467-3
603715-18	Standard	3.73	706660-2X	706664X	706668X	706671X	35467-3	35467-3
603715-20	Standard	3.54	706660-1X	706664X	706668X	706671X	35467-3	35467-3
603715-21	Trac-Lok	3.54	706660-1X	706662X	706666X	706670X	35467-3	35467-3
603715-22	Standard	4.10	706660-3X	706664X	706668X	706671X	35467-3	35467-3
603715-23	Trac-Lok	4.10	706660-3X	706662X	706666X	706670X	35467-3	35467-3
1977 1/2- 78 F-250 3/4 Ton HD 4x2 Pick-up - Full-Float								
603716-5	Standard	3.73	706660-2X	706664X	706668X	706671X	35467-3	35467-3
603716-6	Trac-Lok	3.73	706660-2X	706662X	706666X	706670X	35467-3	35467-3
603716-7	Standard	3.73	706660-2X	706664X	706668X	706671X	35467-3	35467-3
603716-8	Trac-Lok	3.73	706660-2X	706662X	706666X	706670X	35467-3	35467-3
603716-9	Standard	4.10	706660-3X	706664X	706668X	706671X	35467-3	35467-3
603716-10	Trac-Lok	4.10	706660-3X	706662X	706666X	706670X	35467-3	35467-3
603716-12	Trac-Lok	4.10	706660-3X	706662X	706666X	706670X	35467-3	35467-3
603716-13	Standard	4.56	706660-4X	706665X	706669X	706671X	35467-3	35467-3
603716-14	Trac-Lok	4.56	706660-4X	706663X	706667X	706670X	35467-3	35467-3
603716-15	Standard	4.56	706660-4X	706665X	706669X	706671X	35467-3	35467-3
603716-18	Standard	3.73	706660-2X	706664X	706668X	706671X	35467-3	35467-3
603716-19	Trac-Lok	3.73	706660-2X	706662X	706666X	706670X	35467-3	35467-3
603716-20	Standard	3.54	706660-1X	706664X	706668X	706671X	35467-3	35467-3
603716-21	Trac-Lok	3.54	706660-1X	706662X	706666X	706670X	35467-3	35467-3
603716-22	Standard	4.10	706660-3X	706664X	706668X	706671X	35467-3	35467-3
603716-23	Trac-Lok	4.10	706660-3X	706662X	706666X	706670X	35467-3	35467-3
603716-25	No Spin	3.54	706660-1X	—	—	—	35467-3	35467-3
603716-26	Trac-Lok	4.56	706660-4X	706663X	706667X	706670X	35467-3	35467-3

(7) See Ring Gear & Pinion Kits in XGI Catalog for ratio & tooth combinations.

(8) See Differential Case Assy Kits in XGI Catalog for spline data & ratios.

Ford Model 60 Rear Axles

Bill of Material Table

Axle			Axle Kits				Shaft & Joint Assy.	
Bill of Material	Diff. Type	Ratio	Ring Gear & Pinion Kit ⁽⁷⁾	Differential			Right Hand Shaft Assy.	Left Hand Shaft Assy.
				Case Assy. Kit ⁽⁸⁾	Case Kit	Inner Parts Kit		
1978 1/2 F-250 3/4 Ton HD 4x2 Pick-up - Full-Float								
603900-1	Standard	3.73	706660-2X	706664X	706668X	706671X	35467-3	35467-3
603900-2	Trac-Lok	3.73	706660-2X	706662X	706666X	706670X	35467-3	35467-3
603900-3	Standard	3.73	706660-2X	706664X	706668X	706671X	35467-3	35467-3
603900-4	Trac-Lok	3.73	706660-2X	706662X	706666X	706670X	35467-3	35467-3
603900-6	Trac-Lok	4.10	706660-3X	706662X	706666X	706670X	35467-3	35467-3
603900-7	Trac-Lok	4.10	706660-3X	706662X	706666X	706670X	35467-3	35467-3
603900-12	Standard	3.54	706660-1X	706664X	706668X	706671X	35467-3	35467-3
603900-13	Trac-Lok	3.54	706660-1X	706662X	706666X	706670X	35467-3	35467-3
603900-14	Standard	4.10	706660-3X	706664X	706668X	706671X	35467-3	35467-3
1967-68 F-250 3/4 Ton HD 4x2 Pick-up - Full-Float								
602912-1	Standard	4.56	706660-4X	706132X	706669X	706130X	30282	30282
602912-2	Powr-Lok	4.56	706660-4X	706209X	706175X	706177X	30282	30282
602912-3	Powr-Lok	3.54	706660-1X	706208X	706174X	706177X	30282	30282
602912-4	Powr-Lok	4.10	706660-3X	706208X	706174X	706177X	30282	30282
602912-5	No Spin	4.56	706660-4X	—	—	—	30282	30282
602912-6	Standard	3.73	706660-2X	706129X	706668X	706130X	30282	30282
602912-7	Powr-Lok	3.73	706660-2X	706208X	706174X	706177X	30282	30282
602912-8	Standard	4.10	706660-3X	706129X	706668X	706130X	30282	30282
602912-9	No Spin	4.10	706660-3X	—	—	—	30282	30282
1969 F-250 3/4 Ton HD 4x2 Pick-up - Full-Float								
603047-1	Standard	4.56	706660-4X	706132X	706669X	706130X	30282	30282
603047-2	Powr-Lok	4.56	706660-4X	706209X	706175X	706177X	30282	30282
603047-3	Powr-Lok	3.54	706660-1X	706208X	706174X	706177X	30282	30282
603047-4	Powr-Lok	4.10	706660-3X	706208X	706174X	706177X	30282	30282
603047-5	No Spin	4.56	706660-4X	—	—	—	30282	30282
603047-6	Standard	3.73	706660-2X	706129X	706668X	706130X	30282	30282
603047-7	Powr-Lok	3.73	706660-2X	706208X	706174X	706177X	30282	30282
603047-8	Standard	4.10	706660-3X	706129X	706668X	706130X	30282	30282
603047-9	No Spin	4.10	706660-3X	—	—	—	30282	30282
603047-10	Standard	3.54	706660-1X	706129X	706668X	706130X	30282	30282
1970 F-250 3/4 Ton HD 4x2 Pick-up - Full-Float								
603086-1	Standard	4.10	706660-3X	706129X	706668X	706130X	35445-1	35445-1
603086-2	Powr-Lok	4.10	706660-3X	706208X	706174X	706177X	35445-1	35445-1
603086-3	Powr-Lok	4.56	706660-4X	706209X	706175X	706177X	35445-1	35445-1
603086-4	Standard	4.56	706660-4X	706132X	706669X	706130X	35445-1	35445-1
1970 1/2 F-250 3/4 Ton HD 4x2 Pick-up - Full-Float								
603093-1	Standard	4.56	706660-4X	706132X	706669X	706130X	35445-1	35445-1
603093-4	Powr-Lok	4.10	706660-3X	706208X	706174X	706177X	35445-1	35445-1
603093-8	Standard	4.10	706660-3X	706129X	706668X	706130X	35445-1	35445-1
1971-72 F-250 3/4 Ton HD 4x2 Pick-up - Full-Float								
603196-1	Standard	4.56	706660-4X	706132X	706669X	706130X	35445-1	35445-1
603196-2	Powr-Lok	4.56	706660-4X	706209X	706175X	706177X	35445-1	35445-1
603196-3	Powr-Lok	3.54	706660-1X	706208X	706174X	706177X	35445-1	35445-1
603196-4	Powr-Lok	4.10	706660-3X	706208X	706174X	706177X	35445-1	35445-1
603196-5	No Spin	4.56	706660-4X	—	—	—	35445-1	35445-1
603196-6	Standard	3.73	706660-2X	706129X	706668X	706130X	35445-1	35445-1
603196-7	Trac-Lok	3.73	706660-2X	706034-2X	706666X	706131X	35445-1	35445-1

Continued on next page

(7) See Ring Gear & Pinion Kits in XGI Catalog for ratio & tooth combinations.
 (8) See Differential Case Assy Kits in XGI Catalog for spline data & ratios.

Ford Model 60 Rear Axles

Bill of Material Table

Axle			Axle Kits				Shaft & Joint Assy.	
Bill of Material	Diff. Type	Ratio	Ring Gear & Pinion Kit ⁽⁷⁾	Differential			Right Hand Shaft Assy.	Left Hand Shaft Assy.
				Case Assy. Kit ⁽⁸⁾	Case Kit	Inner Parts Kit		
1971-72 F-250 3/4 Ton HD 4x2 Pick-up - Full-Float (Continued)								
603196-8	Standard	4.10	706660-3X	706129X	706668X	706130X	35445-1	35445-1
603196-9	No Spin	4.10	706660-3X	—	—	—	35445-1	35445-1
603196-11	Trac-Lok	4.10	706660-3X	706034-2X	706666X	706131X	35445-1	35445-1
603196-12	Trac-Lok	4.56	706660-4X	706035-2X	706667X	706131X	35445-1	35445-1
603196-13	No Spin	3.73	706660-2X	—	—	—	35445-1	35445-1
1973-75 F-250 3/4 Ton HD 4x2 Pick-up - Full-Float								
603382-9	Standard	4.10	706660-3X	706129X	706668X	706130X	35445-2	35445-2
603382-10	Trac-Lok	4.10	706660-3X	706034-2X	706666X	706131X	35445-2	35445-2
603382-11	Standard	4.10	706660-3X	706129X	706668X	706130X	35445-2	35445-2
603382-12	Trac-Lok	4.10	706660-3X	706034-2X	706666X	706131X	35445-2	35445-2
603382-17	No Spin	4.10	706660-3X	—	—	—	35445-2	35445-2
1975 1/2 F-250 3/4 Ton HD 4x2 Pick-up - Full-Float								
603583-9	Standard	4.10	706660-3X	706664X	706668X	706671X	35467-3	35467-3
603583-10	Trac-Lok	4.10	706660-3X	706662X	706666X	706671X	35467-3	35467-3
603583-11	Standard	4.10	706660-3X	706664X	706668X	706671X	35467-3	35467-3
603583-12	Trac-Lok	4.10	706660-3X	706662X	706666X	706671X	35467-3	35467-3
603583-17	No Spin	4.10	706660-3X	—	—	—	35467-3	35467-3
1976-77 F-250 3/4 Ton HD 4x2 Pick-up - Full-Float								
603717-1	Standard	3.54	706660-1X	706664X	706668X	706671X	35467-3	35467-3
603717-3	Standard	3.54	706660-1X	706664X	706668X	706671X	35467-3	35467-3
603717-9	Standard	4.10	706660-3X	706664X	706668X	706671X	35467-3	35467-3
603717-11	Standard	4.10	706660-3X	706664X	706668X	706671X	35467-3	35467-3
603717-10	Trac-Lok	4.10	706660-3X	706662X	706666X	706670X	35467-3	35467-3
603717-12	Trac-Lok	4.10	706660-3X	706662X	706666X	706670X	35467-3	35467-3
603717-16	Trac-Lok	4.10	706660-4X	706663X	706667X	706670X	35467-3	35467-3
603717-17	No Spin	4.10	706660-3X	—	—	—	35467-3	35467-3
1977 1/2-78 F-250 3/4 Ton HD 4x2 Pick-up - Full-Float								
603883-1	Standard	3.54	706660-1X	706664X	706668X	706671X	35467-3	35467-3
603883-3	Standard	3.54	706660-1X	706664X	706668X	706671X	35467-3	35467-3
603883-4	Trac-Lok	3.54	706660-1X	706662X	706666X	706670X	35467-3	35467-3
603883-9	Standard	4.10	706660-3X	706664X	706668X	706671X	35467-3	35467-3
603883-10	Trac-Lok	4.10	706660-3X	706662X	706666X	706670X	35467-3	35467-3
603883-11	Standard	4.10	706660-3X	706664X	706668X	706671X	35467-3	35467-3
603883-12	Trac-Lok	4.10	706660-3X	706662X	706666X	706670X	35467-3	35467-3
603883-16	Trac-Lok	4.10	706660-4X	706663X	706667X	706670X	35467-3	35467-3
1978 1/2 F-250 3/4 Ton HD 4x2 Pick-up - Full-Float								
603901-1	Standard	3.54	706660-1X	706664X	706668X	706671X	35467-3	35467-3
603901-2	Standard	3.54	706660-1X	706664X	706668X	706671X	35467-3	35467-3
603901-3	Standard	4.10	706660-3X	706664X	706668X	706671X	35467-3	35467-3
603901-4	Trac-Lok	4.10	706660-3X	706662X	706666X	706670X	35467-3	35467-3
603901-5	Standard	4.10	706660-3X	706664X	706668X	706671X	35467-3	35467-3
603901-6	Trac-Lok	4.10	706660-3X	706662X	706666X	706670X	35467-3	35467-3
603901-7	No Spin	4.10	706660-3X	—	—	—	35467-3	35467-3
1973-75 F-250 3/4 Ton Camper Special Pick-up - Full-Float								
603383-1	Standard	3.54	706660-1X	706129X	706668X	706130X	35445-2	35445-2
603383-3	Standard	3.54	706660-1X	706129X	706668X	706130X	35445-2	35445-2
603383-4	Trac-Lok	3.54	706660-1X	706034-2X	706666X	706131X	35467-2	35467-2

Continued on next page

(7) See Ring Gear & Pinion Kits in XGI Catalog for ratio & tooth combinations.

(8) See Differential Case Assy Kits in XGI Catalog for spline data & ratios.

Ford Model 60 Rear Axles

Bill of Material Table

Axle			Axle Kits				Shaft & Joint Assy.	
Bill of Material	Diff. Type	Ratio	Ring Gear & Pinion Kit ⁽⁷⁾	Differential			Right Hand Shaft Assy.	Left Hand Shaft Assy.
				Case Assy. Kit ⁽⁸⁾	Case Kit	Inner Parts Kit		
1973-75 F-250 3/4 Ton Camper Special Pick-up - Full-Float (Continued)								
603383-5	Standard	3.73	706660-2X	706129X	706668X	706130X	35445-2	35445-2
603383-6	Trac-Lok	3.73	706660-2X	706034-2X	706666X	706131X	35467-2	35467-2
603383-7	Standard	3.73	706660-2X	706129X	706668X	706130X	35445-2	35445-2
603383-9	Standard	4.10	706660-3X	706129X	706668X	706130X	35445-2	35445-2
603383-10	Trac-Lok	4.10	706660-3X	706034-2X	706666X	706131X	35467-2	35467-2
603383-11	Standard	4.10	706660-3X	706129X	706668X	706130X	35445-2	35445-2
603383-13	Standard	4.56	706660-4X	706132X	706669X	706130X	35445-2	35445-2
603383-17	No Spin	4.10	706660-3X	—	—	—	35467-2	35467-2
603383-18	Standard	3.54	706660-1X	706129X	706668X	706130X	35445-2	35445-2
603383-19	Trac-Lok	3.54	706660-1X	706034-2X	706666X	706131X	35467-2	35467-2
603383-20	Standard	3.73	706660-2X	706129X	706668X	706130X	35445-2	35445-2
603383-21	Standard	4.10	706660-3X	706129X	706668X	706130X	35445-2	35445-2
603383-22	Trac-Lok	3.73	706660-2X	706034-2X	706666X	706131X	35467-2	35467-2
603383-23	No Spin	4.56	706660-4X	—	—	—	35467-2	35467-2
1975 1/2 F-250 3/4 Ton Camper Special Pick-up - Full-Float								
603629-1	Standard	3.54	706660-1X	706129X	706668X	706130X	35467-3	35467-3
603629-5	Standard	3.73	706660-2X	706129X	706668X	706130X	35445-3	35445-3
603629-6	Trac-Lok	3.73	706660-2X	706034-2X	706666X	706131X	35467-3	35467-3
603629-9	Standard	4.10	706660-3X	706129X	706668X	706130X	35445-3	35445-3
603629-10	Trac-Lok	4.10	706660-3X	706662X	706666X	706670X	35467-3	35467-3
603629-17	No Spin	4.10	706660-3X	—	—	—	35467-3	35467-3
603629-18	Standard	3.54	706660-1X	706129X	706668X	706130X	35467-3	35467-3
603629-19	Trac-Lok	3.54	706660-1X	706034-2X	706666X	706131X	35467-3	35467-3
603629-20	Standard	3.73	706660-2X	706129X	706668X	706130X	35445-3	35445-3
603629-21	Standard	4.10	706660-3X	706129X	706668X	706130X	35445-3	35445-3
603629-22	Trac-Lok	3.73	706660-2X	706034-2X	706666X	706131X	35467-3	35467-3
1976-78 F-250 3/4 Ton Camper Special Pick-up - Full-Float								
603725-5	Standard	3.73	706660-2X	706664X	706668X	706671X	35467-3	35467-3
603725-6	Trac-Lok	3.73	706660-2X	706662X	706666X	706670X	35467-3	35467-3
603725-7	Standard	3.73	706660-2X	706664X	706668X	706671X	35467-3	35467-3
603725-9	Standard	4.10	706660-3X	706664X	706668X	706671X	35467-3	35467-3
603725-10	Trac-Lok	4.10	706660-3X	706662X	706666X	706670X	35467-3	35467-3
603725-12	Trac-Lok	4.10	706660-3X	706662X	706666X	706670X	35467-3	35467-3
603725-13	Standard	4.56	706660-4X	706665X	706669X	706671X	35467-3	35467-3
603725-14	Trac-Lok	4.56	706660-4X	706663X	706667X	706670X	35467-3	35467-3
603725-18	Standard	3.54	706660-1X	706664X	706668X	706671X	35467-3	35467-3
603725-19	Trac-Lok	3.54	706660-1X	706662X	706666X	706670X	35467-3	35467-3
603725-20	Standard	3.73	706660-2X	706664X	706668X	706671X	35467-3	35467-3
603725-21	Standard	4.10	706660-3X	706664X	706668X	706671X	35467-3	35467-3
603725-24	Trac-Lok	4.10	706660-3X	706662X	706666X	706670X	35467-3	35467-3
1968 E-300 3/4 Ton Van - Full-Float								
602966-1	Standard	3.54	706660-1X	706664X	706668X	706671X	35887-1	35887-2
602966-2	Powr-Lok	3.54	706660-1X	706172X	706174X	706176X	35887-1	35887-2
602966-3	Standard	4.10	706660-3X	706664X	706668X	706671X	35887-1	35887-2
602966-4	Powr-Lok	4.10	706660-3X	706172X	706174X	706176X	35887-1	35887-2
602966-5	Standard	3.73	706660-2X	706664X	706668X	706671X	35887-1	35887-2
602966-6	Powr-Lok	3.73	706660-2X	706172X	706174X	706176X	35887-1	35887-2
602966-7	Standard	4.56	706660-4X	706665X	706669X	706671X	35887-1	35887-2
602966-8	Powr-Lok	4.56	706660-4X	706173X	706175X	706176X	35887-1	35887-2

(7) See Ring Gear & Pinion Kits in XGI Catalog for ratio & tooth combinations.

(8) See Differential Case Assy Kits in XGI Catalog for spline data & ratios.

Ford Model 60 Rear Axles

Bill of Material Table

Axle			Axle Kits				Shaft & Joint Assy.	
Bill of Material	Diff. Type	Ratio	Ring Gear & Pinion Kit ⁽⁷⁾	Differential			Right Hand Shaft Assy.	Left Hand Shaft Assy.
				Case Assy. Kit ⁽⁸⁾	Case Kit	Inner Parts Kit		
1969 E-300 3/4 Ton Van - Full-Float								
603064-1	Standard	3.54	706660-1X	706664X	706668X	706671X	35887-1	35887-2
603064-2	Powr-Lok	3.54	706660-1X	706172X	706174X	706176X	35887-1	35887-2
603064-3	Standard	4.10	706660-3X	706664X	706668X	706671X	35887-1	35887-2
603064-4	Powr-Lok	4.10	706660-3X	706172X	706174X	706176X	35887-1	35887-2
603064-5	Standard	3.73	706660-2X	706664X	706668X	706671X	35887-1	35887-2
603064-6	Powr-Lok	3.73	706660-2X	706172X	706174X	706176X	35887-1	35887-2
603064-7	Standard	4.56	706660-4X	706665X	706669X	706671X	35887-1	35887-2
603064-8	Powr-Lok	4.56	706660-4X	706173X	706175X	706176X	35887-1	35887-2
1970 E-300 3/4 Ton Van - Full-Float								
603095-1	Standard	3.54	706660-1X	706664X	706668X	706671X	35467-1	35467-2
603095-2	Powr-Lok	3.54	706660-1X	706172X	706174X	706176X	35467-1	35467-2
603095-3	Standard	4.10	706660-3X	706664X	706668X	706671X	35467-1	35467-2
603095-4	Powr-Lok	4.10	706660-3X	706172X	706174X	706176X	35467-1	35467-2
603095-5	Standard	3.73	706660-2X	706664X	706668X	706671X	35467-1	35467-2
603095-6	Powr-Lok	3.73	706660-2X	706172X	706174X	706176X	35467-1	35467-2
603095-7	Standard	4.56	706660-4X	706665X	706669X	706671X	35467-1	35467-2
603095-8	Powr-Lok	4.56	706660-4X	706173X	706175X	706176X	35467-1	35467-2
1970 1/2-74 E-300 3/4 Ton Van - Full-Float								
603198-1	Standard	3.54	706660-1X	706664X	706668X	706671X	35467-1	35467-2
603198-2	Powr-Lok	3.54	706660-1X	706172X	706174X	706176X	35467-1	35467-2
603198-3	Standard	4.10	706660-3X	706664X	706668X	706671X	35467-1	35467-2
603198-4	Powr-Lok	4.10	706660-3X	706172X	706174X	706176X	35467-1	35467-2
603198-5	Standard	3.73	706660-2X	706664X	706668X	706671X	35467-1	35467-2
603198-6	Powr-Lok	3.73	706660-2X	706172X	706174X	706176X	35467-1	35467-2
603198-7	Standard	4.56	706660-4X	706665X	706669X	706671X	35467-1	35467-2
603198-8	Powr-Lok	4.56	706660-4X	706173X	706175X	706176X	35467-1	35467-2
603198-9	Trac-Lok	3.54	706660-1X	706662X	706666X	706670X	35467-1	35467-2
603198-10	Trac-Lok	4.10	706660-3X	706662X	706666X	706670X	35467-1	35467-2
603198-11	Trac-Lok	3.73	706660-2X	706662X	706666X	706670X	35467-1	35467-2
603198-12	Trac-Lok	4.56	706660-4X	706663X	706667X	706670X	35467-1	35467-2
1974 1/2-75 E-300 3/4 Ton Van - Full-Float								
603531-1	Standard	3.54	706660-1X	706664X	706668X	706671X	35467-1	35467-2
603531-3	Standard	4.10	706660-3X	706664X	706668X	706671X	35467-1	35467-2
603531-5	Standard	3.73	706660-2X	706664X	706668X	706671X	35467-1	35467-2
603531-7	Standard	4.56	706660-4X	706665X	706669X	706671X	35467-1	35467-2
603531-9	Trac-Lok	3.54	706660-1X	706662X	706666X	706670X	35467-1	35467-2
603531-10	Trac-Lok	4.10	706660-3X	706662X	706666X	706670X	35467-1	35467-2
1973-75 E-300 Cutaway Van & Motor Home - Full-Float								
603456-1	Standard	3.54	706660-1X	706664X	706668X	706671X	35467-4	35467-5
603456-2	Trac-Lok	3.54	706660-1X	706662X	706666X	706670X	35467-4	35467-5
603456-5	Standard	3.73	706660-2X	706664X	706668X	706671X	35467-4	35467-5
603456-9	Standard	4.10	706660-3X	706664X	706668X	706671X	35467-4	35467-5
603456-10	Trac-Lok	4.10	706660-3X	706662X	706666X	706670X	35467-4	35467-5

(7) See Ring Gear & Pinion Kits in XGI Catalog for ratio & tooth combinations.

(8) See Differential Case Assy Kits in XGI Catalog for spline data & ratios.

Ford Model 60 Rear Axles

Bill of Material Table

Axle			Axle Kits				Shaft & Joint Assy.	
Bill of Material	Diff. Type	Ratio	Ring Gear & Pinion Kit ⁽⁷⁾	Differential			Right Hand Shaft Assy.	Left Hand Shaft Assy.
				Case Assy. Kit ⁽⁸⁾	Case Kit	Inner Parts Kit		
1967-68 P-350 Parcel Delivery Van & Multi Stop - Full-Float								
602913-1	Standard	4.88	706660-5X	706132X	706669X	706130X	30282	30282
602913-2	Powr-Lok	4.88	706660-5X	706209X	706175X	706177X	30282	30282
602913-3	Standard	4.56	706660-4X	706132X	706669X	706130X	30282	30282
602913-4	Powr-Lok	4.56	706660-4X	706209X	706175X	706177X	30282	30282
602913-7	Standard	4.10	706660-3X	706129X	706668X	706130X	30282	30282
602913-8	Powr-Lok	4.10	706660-3X	706208X	706174X	706177X	30282	30282
1969 P-350 Parcel Delivery Van & Multi Stop - Full-Float								
603070-1	Standard	4.88	706660-5X	706132X	706669X	706130X	30282	30282
603070-2	Powr-Lok	4.88	706660-5X	706209X	706175X	706177X	30282	30282
603070-3	Standard	4.56	706660-4X	706132X	706669X	706130X	30282	30282
603070-4	Powr-Lok	4.56	706660-4X	706209X	706175X	706177X	30282	30282
603070-7	Standard	4.10	706660-3X	706129X	706668X	706130X	30282	30282
603070-8	Powr-Lok	4.10	706660-3X	706208X	706174X	706177X	30282	30282
1970 P-350 Parcel Delivery Van & Multi Stop - Full-Float								
603094-1	Standard	4.88	706660-5X	706132X	706669X	706130X	35445-1	35445-1
603094-3	Standard	4.56	706660-4X	706132X	706669X	706130X	35445-1	35445-1
603094-4	Powr-Lok	4.56	706660-4X	706209X	706175X	706177X	35445-1	35445-1
603094-7	Standard	4.10	706660-3X	706129X	706668X	706130X	35445-1	35445-1
603094-8	Powr-Lok	4.10	706660-3X	706208X	706174X	706177X	35445-1	35445-1
1970 1/2-75 P-350 Parcel Delivery Van & Multi Stop - Full-Float								
603197-1	Standard	4.88	706660-5X	706132X	706669X	706130X	35445-1	35445-1
603197-3	Standard	4.56	706660-4X	706132X	706669X	706130X	35445-1	35445-1
603197-4	Powr-Lok	4.56	706660-4X	706209X	706175X	706177X	35445-1	35445-1
603197-5	Standard	3.73	706660-2X	706129X	706668X	706130X	35445-1	35445-1
603197-7	Standard	4.10	706660-3X	706129X	706668X	706130X	35445-1	35445-1
603197-8	Powr-Lok	4.10	706660-3X	706208X	706175X	706177X	35445-1	35445-1
603197-9	Trac-Lok	4.56	706660-4X	706663X	706667X	706131X	35445-1	35445-1
603197-10	Trac-Lok	4.10	706660-3X	706662X	706666X	706131X	35445-1	35445-1
603197-11	No Spin	4.56	706660-4X	—	—	—	35445-1	35445-1
603197-12	Standard	3.54	706660-1X	706129X	706668X	706130X	35445-1	35445-1
1975 1/2 P-350 Parcel Delivery Van & Multi Stop - Full-Float								
603586-1	Standard	4.88	706660-5X	706665X	706669X	706671X	35467-6	35467-6
603586-3	Standard	4.56	706660-4X	706665X	706669X	706671X	35467-6	35467-6
603586-7	Standard	4.10	706660-3X	706664X	706668X	706671X	35467-6	35467-6
1976-77 P-350 Parcel Delivery Van & Multi Stop - Full-Float								
603726-3	Standard	4.56	706660-4X	706665X	706669X	706671X	35467-6	35467-6
603726-7	Standard	4.10	706660-3X	706664X	706668X	706671X	35467-6	35467-6

(7) See Ring Gear & Pinion Kits in XGI Catalog for ratio & tooth combinations.

(8) See Differential Case Assy Kits in XGI Catalog for spline data & ratios.

Ford Model 61 Rear Axles

Bill of Material Table

Axle			Axle Kits				Shaft & Joint Assy.	
Bill of Material	Diff. Type	Ratio	Ring Gear & Pinion Kit ⁽⁷⁾	Differential			Right Hand Shaft Assy.	Left Hand Shaft Assy.
				Case Assy. Kit ⁽⁸⁾	Case Kit	Inner Parts Kit		

61 Rear Axles

1974-75 F-250 3/4 Ton HD 4x2 Pick-up - Full-Float

603429-1	Standard	3.07	706661-2X	706664X	706668X	706671X	35467-3	35467-3
603429-2	Trac-Lok	3.07	706660-2X	706662X	706666X	706670X	35467-3	35467-3
603429-3	Standard	3.31	706661-1X	706664X	706668X	706671X	35467-3	35467-3
603429-4	Trac-Lok	3.31	706660-1X	706662X	706666X	706670X	35467-3	35467-3
603429-5	Standard	3.54	706661-1X	706399X	706668X	706671X	35467-3	35467-3
603429-7	Standard	3.31	706661-1X	706664X	706668X	706671X	35467-3	35467-3

1975 F-250 4x2 - Full-Float

603539-1	Standard	3.07	706661-2X	706664X	706668X	706671X	35467-3	35467-3
603539-6	Standard	3.31	706661-1X	706664X	706668X	706671X	35467-3	35467-3

1976-78 F-250 3/4 Ton HD 4x2 Pick-up - Full-Float

603714-1	Standard	3.07	706661-2X	706664X	706668X	706671X	35467-3	35467-3
603714-3	Standard	3.31	706661-1X	706664X	706668X	706671X	35467-3	35467-3
603714-6	Standard	3.31	706661-1X	706664X	706668X	706671X	35467-3	35467-3

1978 1/2 F-250 3/4 Ton HD 4x2 Pick-up - Full-Float

603899-1	Standard	3.07	706661-2X	706664X	706668X	706671X	35467-3	35467-3
603899-2	Standard	3.31	706661-1X	706399X	706668X	706671X	35467-3	35467-3
603899-3	Standard	3.31	706661-1X	706399X	706668X	706671X	35467-3	35467-3

1974-75 F-250 3/4 Ton HD 4x2 Other Than Pick-up - Full-Float

603438-1	Standard	3.31	706661-1X	706664X	706668X	706671X	35467-3	35467-3
603438-2	Trac-Lok	3.31	706661-1X	706662X	706666X	706670X	35467-3	35467-3
603438-3	Standard	3.54	706660-1X	706676X	706677X	706671X	35467-3	35467-3
603438-6	Standard	3.07	706661-2X	706664X	706668X	706671X	35467-3	35467-3
603438-5	Standard	3.31	706661-1X	706664X	706668X	706671X	35467-3	35467-3

1976 F-250 3/4 Ton HD 4x2 Other Than Pick-up - Full-Float

603540-1	Standard	3.31	706661-1X	706664X	706668X	706671X	35467-3	35467-3
603540-4	Standard	3.31	706661-1X	706664X	706668X	706671X	35467-3	35467-3
603540-5	Standard	3.07	706661-2X	706036X	706668X	706671X	35467-3	35467-3

1977 F-250 3/4 Ton HD 4x2 Other Than Pick-up - Full-Float

603713-4	Standard	3.31	706661-1X	706664X	706668X	706671X	35467-3	35467-3
603713-5	Standard	3.07	706661-2X	706036X	706668X	706671X	35467-3	35467-3

1975 1/2-78 E-250 3/4 Ton Van - Full-Float

603594-1	Standard	3.31	706661-5X	706664X	706668X	706671X	37560-3	37560-4
603594-2	Standard	3.31	706661-5X	706664X	706668X	706671X	37560-3	37560-4
603594-3	Standard	3.31	706661-5X	706664X	706668X	706671X	37560-3	37560-4
603594-4	Trac-Lok	3.31	706661-1X	706662X	706666X	706670X	37560-3	37560-4
603594-9	Standard	3.73	706660-2X	706676X	706677X	706671X	37560-3	37560-4
603594-11	Standard	3.73	706660-2X	706676X	706677X	706671X	37560-3	37560-4
603594-12	Trac-Lok	3.73	706661-3X	706663X	706667X	706670X	37560-3	37560-4
603594-15	Standard	4.10	706660-3X	706676X	706677X	706671X	37560-3	37560-4
603594-16	Trac-Lok	4.10	706661-9X	706663X	706667X	706670X	37560-3	37560-4
603594-17	Standard	3.73	706660-2X	706676X	706677X	706671X	37560-3	37560-4
603594-18	Standard	4.10	706660-3X	706676X	706677X	706671X	37560-3	37560-4
603594-19	Standard	3.07	706661-4X	706664X	706668X	706671X	37560-3	37560-4
603594-21	Trac-Lok	3.73	706661-3X	706663X	706667X	706670X	37560-3	37560-4
603594-22	Standard	3.31	706661-5X	706664X	706668X	706671X	37560-3	37560-4

(7) See Ring Gear & Pinion Kits in XGI Catalog for ratio & tooth combinations.

(8) See Differential Case Assy Kits in XGI Catalog for spline data & ratios.

Ford Model 60 / 61 Rear Axles Common Axle Kits - Use with All Applications

ITEM NO.	DESCRIPTION	KIT PART NUMBER	ITEM NO.	DESCRIPTION	KIT PART NUMBER
Carrier Cover Model 60 Model 61 14 Carrier Cover 15 Carrier Cover Gasket / Sealant 16 Plug – Carrier Cover 17 Bolt – Carrier Cover			Pinion & Bearing Adjusting Shim 4 Shim – Drive Pinion Adjusting 6 Shim – Pinion Bearing Adjusting 12 Pinion Nut 15 Carrier Cover Gasket / Sealant 706678X 706675X 706672X		
Inner Pinion Bearing 3 KIT – Inner Pinion Bearing 706046X			Differential Bearing Adjusting Shim 15 Carrier Cover Gasket / Sealant 21 Shim – Differential Bearing 706673X		
Outer Pinion Bearing 7 KIT – Outer Pinion Bearing 706045X			Differential & Pinion Shim 4 Shim – Drive Pinion Adjusting 6 Shim – Pinion Bearing Adjusting 11 Washer – Pinion Nut 12 Pinion Nut 15 Carrier Cover Gasket / Sealant 21 Shim – Differential Bearing 706674X		
Outer Pinion Bearing 20 KIT – Differential Bearing 706047X					

When replacing Carrier Cover Gasket, replace with same type originally used. RTV tube gasket recommended for use on flat flange type cover. Paper or cork gasket recommended for use on ribbed flange cover.

Miscellaneous Small Parts - Use With All Applications

Full-Float Design

VEHICLE MODEL & BILL OF MATERIAL BASE NUMBER	BRAKE MOUNTING		INBOARD SHAFT SEAL (item 39)	WHEEL BEARING			OUTBOARD SHAFT SEAL (item 42)	OIL SEAL RETAINER (item 43)
	BOLT (item 30)	NUT (item 31)		RETAINER RING (item 40)	CUP	CONE		
	(item 41)							
F-250, E-300, P-350 Models	— ⁽³⁾	— ⁽³⁾	35313	Contact Vehicle Manufacturer for Service				

(3) Contact Vehicle Manufacturer for Service

Semi-Float Design

VEHICLE MODEL & BILL OF MATERIAL BASE NUMBER	BRAKE MOUNTING		INBOARD SHAFT SEAL (item 39)	WHEEL BEARING			OUTBOARD SHAFT SEAL (item 42)	OIL SEAL RETAINER (item 43)
	BOLT (item 30)	NUT (item 31)		RETAINER RING (item 40)	CUP	CONE		
	(item 41)							
F-100 Model	30175	30137	34119	36797	550707	550708	32758	32762

Ford Model 60 / 61 Rear Axles Kit Components

ITEM NO.	DESCRIPTION	ITEM NO.	DESCRIPTION	ITEM NO.	DESCRIPTION
Drive Pinion & Gear Assembly		Differential Case Assembly (Trac-Lok)		Differential Parts (Powr-Lok)	
2	Drive Pinion & Gear Assembly	15	Carrier Cover Gasket / Sealant	15	Carrier Cover Gasket / Sealant
3	KIT – Inner Pinion Bearing	20	KIT – Differential Bearing	53	Shaft – Differential
4	Inner Pinion Shims	21	Shim – Differential Bearing	54	Pinion – Differential
5	Baffle – Pinion Bearing	23	Bolt – Drive Gear (qty 10)	55	Gear – Differential
6	Outer Pinion Shims	24	Pinion – Differential	56	Ring – Differential Gear
7	KIT – Outer Pinion Bearing	26	Thrustwasher – Diff. Pinion	57	Plate – Differential
8	Slinger – Outer Pinion Bearing	28	Shaft – Differential	58	Disc – Differential
9	Seal – Pinion Oil	29	Lock – Differential Shaft	59	Disc – Differential (dished)
11	Washer – Pinion Nut	44	Case – Differential	60	Plate – Differential (dished)
12	Pinion Nut	45	Gear – Differential		
15	Carrier Cover Gasket / Sealant	46	Spacer – Diff. Gear (dished)	Differential Parts (Trac-Lok)	
21	Shim – Differential Bearing	47	Plate – Differential	15	Carrier Cover Gasket / Sealant
23	Bolt – Drive Gear (qty 10)	48	Disc – Differential	23	Bolt – Drive Gear (qty 10)
Differential Case Assembly (standard)		49	Plate – Differential	24	Pinion – Differential
15	Carrier Cover Gasket / Sealant	50	Clip – Diff. Clutch Retainer	26	Thrustwasher – Diff. Pinion
20	KIT – Differential Bearing	Differential Case (standard)		28	Shaft – Differential
21	Shim – Differential Bearing	15	Carrier Cover Gasket / Sealant	29	Lock – Differential Shaft
22	Case – Differential	21	Shim – Differential Bearing	45	Gear – Differential
23	Bolt – Drive Gear (qty 10)	22	Case – Differential	46	Spacer – Diff. Gear (dished)
24	Pinion – Differential	23	Bolt – Drive Gear (qty 10)	47	Plate – Differential
25	Gear – Differential	29	Lock – Differential Shaft	48	Disc – Differential
26	Thrustwasher – Diff. Pinion	Differential Case (Powr-Lok)		49	Plate – Differential
27	Thrustwasher – Diff. Gear	15	Carrier Cover Gasket / Sealant	50	Clip – Diff. Clutch Retainer
28	Shaft – Differential Pinion	21	Shim – Differential Bearing		
29	Lock – Differential Shaft	23	Bolt – Drive Gear (qty 10)		
Differential Case Assembly (Powr-Lok)		51	Flange Half – Differential Case		
15	Carrier Cover Gasket / Sealant	52	Cap Half – Differential Case		
20	KIT – Differential Bearing	61	Bolt – Differential Case		
21	Shim – Differential Bearing	Differential Case (Trac-Lok)			
23	Bolt – Drive Gear (qty 10)	15	Carrier Cover Gasket / Sealant		
51	Flange Half – Differential Case	21	Shim – Differential Bearing		
52	Cap Half – Differential Case	23	Bolt – Drive Gear (qty 10)		
53	Shaft – Differential	29	Lock – Differential Shaft		
54	Pinion – Differential	44	Case – Differential		
55	Gear – Differential	Differential Parts (standard)			
56	Ring – Differential Gear	15	Carrier Cover Gasket / Sealant		
57	Plate – Differential	23	Bolt – Drive Gear (qty 10)		
58	Disc – Differential	24	Pinion – Differential		
59	Disc – Differential (dished)	25	Gear – Differential		
60	Plate – Differential (dished)	26	Thrustwasher – Diff. Pinion		
61	Bolt – Differential Case	27	Thrustwasher – Diff. Gear		
		28	Shaft – Differential Pinion		
		29	Lock – Differential Shaft		

When replacing Carrier Cover Gasket, replace with same type originally used. RTV tube gasket recommended for use on flat flange type cover. Paper or cork gasket recommended for use on ribbed flange cover.

Ford Model 60 / 61 Rear Axles Axle Shaft Dimensions

Part Number	Spline		Flange Face to End of Spline	Flange Diameter	Bolts	
	Diameter & Number of Splines	Length			Circle Diameter	Number of Bolt Holes
24810X	1 5/16" -30	1 13/16"	29 17/32"	6 23/32"	5 1/2"	5
25984-1X	1 5/16" -30	1 13/16"	29 17/32"	7 1/16"	5 1/2"	5
30282	1 5/16" -16	1 13/16"	33 21/32"	4 3/4"	3 31/32"	8
34887-1	1 5/16" -30	1 13/16"	31 9/16"	4 3/4"	3 31/32"	8
34887-2	1 5/16" -30	1 13/16"	40 1/2"	4 3/4"	3 31/32"	8
35445-1	1 5/16" -16	1 13/16"	33 5/8"	4 3/4"	3 31/32"	8
35445-2	1 5/16" -16	1 13/16"	34 61/64"	4 3/4"	3 31/32"	8
35467-1	1 5/16" -30	1 13/16"	31 1/2"	4 3/4"	3 31/32"	8
35467-2	1 5/16" -30	1 13/16"	40 1/2"	4 3/4"	3 31/32"	8
35467-3	1 5/16" -30	1 13/16"	34 15/16"	4 3/4"	3 31/32"	8
35467-4	1 5/16" -30	1 13/16"	35 61/64"	4 3/4"	3 31/32"	8
35467-5	1 5/16" -30	1 13/16"	44 61/64"	4 3/4"	3 31/32"	8
35467-6	1 5/16" -30	1 13/16"	33 5/8"	4 3/4"	3 31/32"	8
37560-1	1 5/16" -30	1 13/16"	33 1/4"	4 3/4"	3 31/32"	8
37560-2	1 5/16" -30	1 13/16"	36 27/32"	4 3/4"	3 31/32"	8
37560-3	1 5/16" -30	1 13/16"	33 25/32"	4 3/4"	3 31/32"	8
37560-4	1 5/16" -30	1 13/16"	36 1/2"	4 3/4"	3 31/32"	8
39260-1	1 5/16" -30	1 13/16"	34 5/8"	4 3/4"	3 31/32"	8
39260-2	1 5/16" -30	1 13/16"	34 11/64"	4 3/4"	3 31/32"	8
39260-3	1 5/16" -30	1 13/16"	35 53/64"	4 3/4"	3 31/32"	8

Ford 1968-1978 1/2

Model 70 Rear Axles for

D-50 Ambulance

E-350 Dual Wheel Van, Motor Home & Multi-Stop

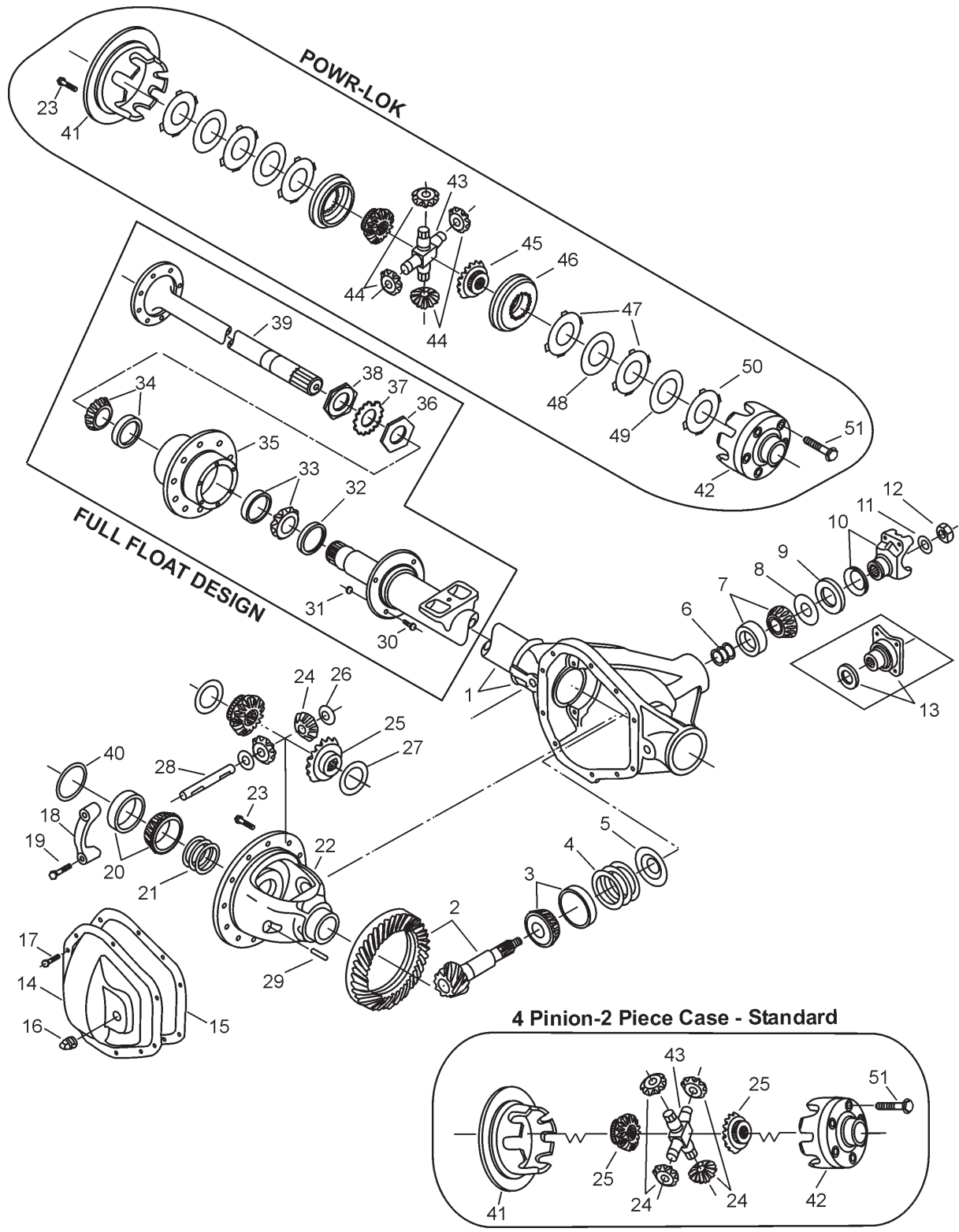
E-350 Single Wheel Van, Motor Home & Multi-Stop

F-250 Club Cab

**F-350 Super Cab, Arcoa, 1 Ton Pick-up,
Dual Wheel & Other**

Ford Model 70 Rear Axles

Exploded View



Ford Model 70 Rear Axles Parts Listing

ITEM NO.	PART IDENTIFICATION	ITEM NO.	PART IDENTIFICATION	ITEM NO.	PART IDENTIFICATION
1 ⁽¹⁾	Housing – Axle Service	20	KIT – Differential Bearing	39	Shaft – Axle Flanged Drive
2	Drive Pinion & Gear Assembly	21	Shim – Differential Bearing	40	Spacer – Differential Bearing
3	KIT – Inner Pinion Bearing	22	Case – Differential		
4	Shim – Drive Pinion	23	Bolt – Drive Gear		
5	Baffle – Pinion Bearing	24	Pinion – Differential		Power-Lok & Trak-Lok Differential
6	Shim – Pinion Bearing	25	Gear – Differential		
7	KIT – Outer Pinion Bearing	26	Thrustwasher – Diff. Pinion	41	Flange Half - Differential Case
8	Slinger – Outer Pinion Bearing	27	Thrustwasher – Differential Gear	42	Cap Half – Differential Case
9	Seal – Pinion Oil	28	Shaft – Differential Pinion	43	Shaft – Differential
10 ⁽²⁾	End Yoke Assembly	29	Lock – Differential Shaft	44	Pinion – Differential
11	Washer – Pinion Nut	30 ⁽¹⁾	Brake Mounting Bolt	45	Gear – Differential
12	Pinion Nut	31 ⁽¹⁾	Brake Mounting Nut	46	Ring – Differential
13 ⁽²⁾	Companion Flange Assembly	32 ⁽¹⁾	Hub Seal	47	Plate – Differential
14	Carrier Cover	33 ⁽¹⁾	KIT – Inner Wheel Bearing	48	Disc – Differential
15	Carrier Cover Gasket / Sealant	34 ⁽¹⁾	KIT – Outer Wheel Bearing	49	Disc – Differential (dished)
16	Plug – Carrier Cover	35 ⁽¹⁾	Wheel Hub	50	Plate – Differential (dished)
17	Bolt – Carrier Cover	36 ⁽¹⁾	Spindle Nut – Inner	51	Bolt – Differential Case
18 ⁽²⁾	Differential Bearing Cap	37 ⁽¹⁾	Lockwasher – Spindle Nut		
19 ⁽²⁾	Bolt – Differential Bearing Cap	38 ⁽¹⁾	Spindle Nut – Outer		

(1) Contact Vehicle Manufacturer

(2) See Spicer Driveline Catalog J300P Section 10
Check availability on all Powr-Lok parts before ordering

Ford Model 70 Rear Axles

Bill of Material Table

Axle			Axle Kits				Shaft & Joint Assy.	
Bill of Material	Diff. Type	Ratio	Ring Gear & Pinion Kit ⁽⁷⁾	Differential			Right Hand Shaft Assy.	Left Hand Shaft Assy.
				Case Assy. Kit ⁽⁸⁾	Case Kit	Inner Parts Kit		
1977-78 D-50 Ambulance - 1 Piece Case								
603801-3	Standard	3.73	706061-1X	706064X	706068X	706058X	36113-7	36113-7
603801-4	Powr-Lok	3.73	706061-1X	706062X	706066X	706057X	36113-7	36113-7
603801-8	Powr-Lok	4.10	706048-2X	706062X	706066X	706057X	36113-7	36113-7
1978 1/2 D-50 Ambulance - 1 Piece Case								
603909-1	Standard	3.73	706600-1X	706709X	706710X	706602X	36113-7	36113-7
603909-2	Powr-Lok	3.73	706600-1X	706711X	706712X	706601X	36113-7	36113-7
603909-3	Powr-Lok	4.10	706600-2X	706711X	706712X	706601X	36113-7	36113-7
1975 E-350 Dual Wheel Van, Motor Home & Multi-Stop - 1 Piece Case								
603557-2	Standard	3.73	706048-1X	706051X	706055X	706058X	36113-5	36113-6
603557-3	Standard	3.73	706048-1X	706051X	706055X	706058X	36113-5	36113-6
603557-6	Powr-Lok	3.73	706048-1X	706049X	706053X	706057X	36113-5	36113-6
603557-7	Standard	4.10	706048-2X	706051X	706055X	706058X	36113-5	36113-6
603557-8	Standard	4.10	706048-2X	706051X	706055X	706058X	36113-5	36113-6
603557-9	Standard	4.10	706048-2X	706051X	706055X	706058X	36113-5	36113-6
603557-12	Powr-Lok	4.10	706048-2X	706049X	706053X	706057X	36113-5	36113-6
1976-78 E-350 Dual Wheel Van, Motor Home & Multi-Stop - 1 Piece Case								
603700-1	Standard	3.73	706600-7X	706608X	706612X	706602X	36113-8	36113-6
603700-3	Standard	3.73	706600-7X	706608X	706612X	706602X	36113-8	36113-6
603700-4	Standard	3.73	706600-7X	706608X	706612X	706602X	36113-8	36113-6
603700-5	Powr-Lok	3.73	706600-7X	706606X	706610X	706601X	36113-8	36113-6
603700-9	Standard	4.10	706600-2X	706608X	706612X	706602X	36113-8	36113-6
603700-12	Powr-Lok	4.10	706600-2X	706606X	706610X	706601X	36113-8	36113-6
603700-15	Standard	4.56	706600-3X	706609X	706625X	706602X	36113-8	36113-6
1974-78 E-350 Single Wheel Van, Motor Home & Multi-Stop - 1 Piece Case								
603556-1	Standard	3.73	706600-7X	706608X	706612X	706602X	36113-7	36113-8
603556-2	Standard	3.73	706600-7X	706608X	706612X	706602X	36113-7	36113-8
603556-3	Standard	3.73	706600-7X	706608X	706612X	706602X	36113-7	36113-8
603556-5	Powr-Lok	3.73	706600-7X	706606X	706610X	706601X	36113-7	36113-8
603556-6	Powr-Lok	3.73	706048-1X	706049X	706053X	706057X	36113-7	36113-8
603556-7	Standard	4.10	706600-2X	706051X	706055X	706058X	36113-7	36113-8
603556-8	Standard	4.10	706600-2X	706051X	706055X	706058X	36113-7	36113-8
603556-9	Standard	4.10	706600-2X	706608X	706612X	706602X	36113-7	36113-8
603556-10	Powr-Lok	4.10	706048-2X	706049X	706053X	706057X	36113-7	36113-8
603556-12	Powr-Lok	4.10	706600-2X	706606X	706610X	706601X	36113-7	36113-8
603556-15	Standard	4.56	706600-3X	706609X	706625X	706602X	36113-7	36113-8
1974-75 F-250 Club Cab & F-350 Super Cab - 1 Piece Case								
603530-3	Standard	3.73	706048-1X	706197X	706055X	706202X	35468-1	35468-1
603530-4	Powr-Lok	3.73	706048-1X	706199X	706053X	706201X	35468-1	35468-1
603530-7	Standard	4.10	706048-2X	706197X	706055X	706202X	35468-1	35468-1
603530-8	Powr-Lok	4.10	706048-2X	706199X	706053X	706201X	35468-1	35468-1
603530-9	Standard	4.56	706048-3X	706198X	706056X	706202X	35468-1	35468-1
1975 1/2 F-250 Club Cab & F-350 Super Cab - 1 Piece Case								
603587-3	Standard	3.73	706048-1X	706051X	706055X	706058X	36113-1	36113-1
603587-4	Powr-Lok	3.73	706048-1X	706049X	706053X	706057X	36113-1	36113-1
603587-7	Standard	4.10	706048-2X	706051X	706055X	706058X	36113-1	36113-1
603587-8	Powr-Lok	4.10	706048-2X	706049X	706053X	706057X	36113-1	36113-1
603587-11	Standard	4.56	706048-3X	706052X	706056X	706058X	36113-1	36113-1
603587-21	No Spin	4.10	706048-2X	—	—	—	36113-1	36113-1

(7) See Ring Gear & Pinion Kits in XGI Catalog for ratio & tooth combinations.

(8) See Differential Case Assy Kits in XGI Catalog for spline data & ratios.

(9) Use Internal Parts from Case Assembly.

Ford Model 70 Rear Axles

Bill of Material Table

Axle			Axle Kits				Shaft & Joint Assy.	
Bill of Material	Diff. Type	Ratio	Ring Gear & Pinion Kit ⁽⁷⁾	Differential			Right Hand Shaft Assy.	Left Hand Shaft Assy.
				Case Assy. Kit ⁽⁸⁾	Case Kit	Inner Parts Kit		
1976-77 1/2 F-250 Club Cab & F-350 Super Cab - 1 Piece Case								
603719-3	Standard	3.73	706600-1X	706608X	706612X	706602X	36113-1	36113-1
603719-7	Standard	4.10	706600-2X	706608X	706612X	706602X	36113-1	36113-1
603719-8	Powr-Lok	4.10	706600-2X	706606X	706610X	706601X	36113-1	36113-1
603719-11	Standard	4.56	706600-3X	706609X	706625X	706602X	36113-1	36113-1
603719-12	Powr-Lok	4.56	706600-3X	706607X	706611X	706601X	36113-1	36113-1
1978 F-250 Club Cab & F-350 Super Cab - 1 Piece Case								
603897-3	Standard	3.73	706600-1X	706608X	706612X	706602X	36113-1	36113-1
603897-8	Powr-Lok	4.10	706600-2X	706606X	706610X	706601X	36113-1	36113-1
1976-78 Arcoa 1 Piece Case								
603750-21	Standard	4.10	706600-2X	706608X	706612X	706602X	36113-1	36113-1
1978 1/2 Arcoa 1 Piece Case								
603907-21	Standard	4.10	706600-2X	706608X	706612X	706602X	36113-1	36113-1
1968 F-350 1 Ton Pick-up, Dual Wheel & Other - 2 Piece Case								
602969-1	Standard	3.73	706048-1X	26402X	706083X	21902X	34414-1	34414-1
602969-2	Powr-Lok	3.73	706048-1X	706199X	706053X	706201X	34414-1	34414-1
602969-3	Standard	3.73	706048-1X	26402X	706083X	21902X	34414-1	34414-1
602969-4	Powr-Lok	3.73	706048-1X	706199X	706053X	706201X	34414-1	34414-1
602969-5	No Spin	3.73	706048-1X	—	—	—	34414-1	34414-1
602969-6	No Spin	3.73	706048-1X	—	—	—	34414-1	34414-1
602974-1	Standard	4.88	706091-3X	26399X	706084X	21902X	34414-1	34414-1
602974-2	Powr-Lok	4.88	706091-3X	706200X	706054X	706201X	34414-1	34414-1
602974-3	Standard	5.13	706091-4X	26399X	706084X	21902X	34414-1	34414-1
602974-7	Standard	4.10	706091-1X	26402X	706083X	21902X	34414-1	34414-1
602974-8	Powr-Lok	4.10	706091-1X	706199X	706053X	706201X	34414-1	34414-1
602974-9	Standard	4.56	706091-2X	26399X	706084X	21902X	34414-1	34414-1
602974-10	Powr-Lok	4.56	706091-2X	706200X	706054X	706201X	34414-1	34414-1
602974-11	No Spin	4.88	706091-3X	—	—	—	34414-1	34414-1
602974-12	No Spin	4.56	706091-2X	—	—	—	34414-1	34414-1
602974-13	No Spin	4.10	706091-1X	—	—	—	34414-1	34414-1
602974-14	Standard	4.10	706091-1X	26402X	706083X	21902X	34414-1	34414-1
602974-15	Powr-Lok	4.10	706091-1X	706199X	706053X	706201X	34414-1	34414-1
602974-16	No Spin	4.10	706091-1X	—	—	—	34414-1	34414-1
602974-17	Standard	5.13	706091-4X	26399X	706084X	21902X	34414-1	34414-1
602974-18	Standard	4.88	706091-3X	26399X	706084X	21902X	34414-1	34414-1
602974-19	Powr-Lok	4.56	706091-2X	706200X	706054X	706201X	34414-1	34414-1
1969 F-350 1 Ton Pick-up, Dual Wheel & Other - 2 Piece Case								
603082-1	Standard	3.73	706048-1X	26402X	706083X	21902X	38414-1	38414-1
603082-2	Powr-Lok	3.73	706048-1X	706199X	706053X	706201X	38414-1	38414-1
603082-3	Standard	3.73	706048-1X	26402X	706083X	21902X	38414-1	38414-1
603082-4	Powr-Lok	3.73	706048-1X	706199X	706053X	706201X	38414-1	38414-1
603082-5	No Spin	3.73	706048-1X	—	—	—	38414-1	38414-1
1969-70 F-350 1 Ton Pick-up, Dual Wheel & Other - 2 Piece Case								
603084-1	Standard	4.88	706091-3X	26399X	706084X	21902X	34414-1	34414-1
603084-2	Powr-Lok	4.88	706091-3X	706200X	706054X	706201X	34414-1	34414-1
603084-3	Standard	4.10	706091-1X	26402X	706083X	21902X	34414-1	34414-1
603084-4	Powr-Lok	4.10	706091-1X	706199X	706053X	706201X	34414-1	34414-1

Continued on next page

(7) See Ring Gear & Pinion Kits in XGI Catalog for ratio & tooth combinations.

(8) See Differential Case Assy Kits in XGI Catalog for spline data & ratios.

(9) Use Internal Parts from Case Assembly.

Ford Model 70 Rear Axles

Bill of Material Table

Axle			Axle Kits				Shaft & Joint Assy.	
Bill of Material	Diff. Type	Ratio	Ring Gear & Pinion Kit ⁽⁷⁾	Differential			Right Hand Shaft Assy.	Left Hand Shaft Assy.
				Case Assy. Kit ⁽⁸⁾	Case Kit	Inner Parts Kit		
1969-70 F-350 1 Ton Pick-up, Dual Wheel & Other - 2 Piece Case (Continued)								
603084-5	Standard	4.56	706091-2X	26399X	706084X	21902X	34414-1	34414-1
603084-6	Powr-Lok	4.56	706091-2X	706200X	706054X	706201X	34414-1	34414-1
603084-7	Standard	4.10	706091-1X	26402X	706083X	21902X	34414-1	34414-1
603084-8	Powr-Lok	4.10	706091-1X	706199X	706053X	706201X	34414-1	34414-1
603084-9	Standard	5.13	706091-4X	26399X	706084X	21902X	34414-1	34414-1
603084-10	Standard	5.13	706091-4X	26399X	706084X	21902X	34414-1	34414-1
603084-11	Standard	4.56	706091-2X	26399X	706084X	21902X	34414-1	34414-1
603084-12	Powr-Lok	4.56	706091-2X	706200X	706054X	706201X	34414-1	34414-1
603084-13	Standard	4.88	706091-3X	26399X	706084X	21902X	34414-1	34414-1
603084-14	Powr-Lok	4.88	706091-3X	706200X	706054X	706201X	34414-1	34414-1
603084-15	No Spin	4.56	706091-2X	—	—	—	34414-1	34414-1
603084-16	No Spin	4.88	706091-3X	—	—	—	34414-1	34414-1
603084-17	No Spin	4.10	706091-1X	—	—	—	34414-1	34414-1
603117-1	Standard	4.10	706091-1X	26402X	706083X	21902X	34414-1	34414-1
603117-2	Powr-Lok	4.10	706091-1X	706199X	706053X	706201X	34414-1	34414-1
603117-7	No Spin	4.10	706091-1X	—	—	—	34414-1	34414-1
1969 1/2-72 F-350 1 Ton Pick-up, Dual Wheel & Other - 2 Piece Case								
603115-1	Standard	3.73	706048-1X	26402X	706083X	21902X	35468-1	35468-1
603115-2	Powr-Lok	3.73	706048-1X	706199X	706053X	706201X	35468-1	35468-1
603115-3	Standard	4.56	706091-2X	26399X	706084X	21902X	35468-1	35468-1
603115-4	Powr-Lok	4.56	706091-2X	706200X	706054X	706201X	35468-1	35468-1
603115-5	Standard	4.88	706091-3X	26399X	706084X	21902X	35468-1	35468-1
603115-6	Powr-Lok	4.88	706091-3X	706200X	706054X	706201X	35468-1	35468-1
603115-7	No Spin	3.73	706048-1X	—	—	—	35468-1	35468-1
603115-8	No Spin	4.56	706091-2X	—	—	—	35468-1	35468-1
603115-9	No Spin	4.88	706091-3X	—	—	—	35468-1	35468-1
603115-10	Standard	5.13	706091-4X	26399X	706084X	21902X	35468-1	35468-1
603115-11	Standard	5.13	706091-4X	26399X	706084X	21902X	35468-1	35468-1
603115-12	Standard	5.13	706091-4X	26399X	706084X	21902X	35468-1	35468-1
1970 F-350 1 Ton Pick-up, Dual Wheel & Other - 2 Piece Case								
603180-1	Standard	4.10	706091-1X	26402X	706083X	21902X	35468-1	35468-1
603180-2	Powr-Lok	4.10	706091-1X	706199X	706053X	706201X	35468-1	35468-1
603180-3	Standard	4.56	706091-2X	26399X	706084X	21902X	35468-1	35468-1
603180-4	Powr-Lok	4.56	706091-2X	706200X	706054X	706201X	35468-1	35468-1
603180-5	Standard	4.88	706091-3X	26399X	706084X	21902X	35468-1	35468-1
603180-6	Standard	5.13	706091-4X	26399X	706084X	21902X	35468-1	35468-1
603180-7	Standard	5.13	706091-4X	26399X	706084X	21902X	35468-1	35468-1
1970-72 F-350 1 Ton Pick-up, Dual Wheel & Other								
603199-1	Standard	3.73	706048-1X	26402X	706083X	21902X	35468-1	35468-1
603199-2	Powr-Lok	3.73	706048-1X	706199X	706053X	706201X	35468-1	35468-1
603199-3	No Spin	3.73	706048-1X	—	—	—	35468-1	35468-1
603199-4	Standard	3.73	706048-1X	706197X	706055X	706202X	35468-1	35468-1
1971-74 F-350 1 Ton Pick-up, Dual Wheel & Other								
603201-1	Standard	4.10	706091-1X	26402X	706083X	21902X	35468-1	35468-1
603201-2	Powr-Lok	4.10	706091-1X	706199X	706053X	706201X	35468-1	35468-1
603201-3	Standard	4.56	706091-2X	26399X	706084X	21902X	35468-1	35468-1
603201-4	Powr-Lok	4.56	706091-2X	706200X	706054X	706201X	35468-1	35468-1

Continued on next page

(7) See Ring Gear & Pinion Kits in XGI Catalog for ratio & tooth combinations.

(8) See Differential Case Assy Kits in XGI Catalog for spline data & ratios.

(9) Use Internal Parts from Case Assembly.

Ford Model 70 Rear Axles

Bill of Material Table

Axle			Axle Kits				Shaft & Joint Assy.	
Bill of Material	Diff. Type	Ratio	Ring Gear & Pinion Kit ⁽⁷⁾	Differential			Right Hand Shaft Assy.	Left Hand Shaft Assy.
				Case Assy. Kit ⁽⁸⁾	Case Kit	Inner Parts Kit		
1971-74 F-350 1 Ton Pick-up, Dual Wheel & Other (Continued)								
603201-5	Standard	4.88	706091-3X	26399X	706084X	21902X	35468-1	35468-1
603201-6	Standard	5.13	706091-4X	26399X	706084X	21902X	35468-1	35468-1
603201-7	Standard	5.13	706091-4X	26399X	706084X	21902X	35468-1	35468-1
603201-8	No Spin	4.10	706091-1X	—	—	—	35468-1	35468-1
603201-9	No Spin	4.10	706091-2X	—	—	—	35468-1	35468-1
603201-10	No Spin	4.88	706091-3X	—	—	—	35468-1	35468-1
603201-11	Powr-Lok	4.88	706091-3X	706200X	706054X	706201X	35468-1	35468-1
603201-12	Standard	4.10	706091-1X	26402X	706083X	21902X	35468-1	35468-1
603201-13	Powr-Lok	4.10	706091-1X	706197X	706055X	706202X	35468-1	35468-1
603201-14	Standard	4.56	706091-2X	706198X	706056X	706202X	35468-1	35468-1
603201-15	Standard	5.13	706091-3X	706198X	706056X	706202X	35468-1	35468-1
1972 1/2-75 F-350 1 Ton Pick-up, Dual Wheel & Other - 1 Piece Case								
603384-1	Standard	3.73	706048-1X	706197X	706055X	706202X	35468-1	35468-1
603384-3	Standard	3.73	706048-1X	706197X	706055X	706202X	35468-1	35468-1
603384-4	Powr-Lok	3.73	706048-1X	706199X	706053X	706201X	35468-1	35468-1
603384-5	Standard	4.10	706048-2X	706197X	706055X	706202X	35468-1	35468-1
603384-6	Powr-Lok	4.10	706048-2X	706199X	706053X	706201X	35468-1	35468-1
603384-7	Standard	4.10	706048-2X	706197X	706055X	706202X	35468-1	35468-1
603384-8	Powr-Lok	4.10	706048-2X	706199X	706053X	706201X	35468-1	35468-1
603384-9	Standard	4.56	706091-3X	706198X	706056X	706202X	35468-1	35468-1
603384-10	Powr-Lok	4.56	706091-3X	706200X	706054X	706201X	35468-1	35468-1
603384-21	Standard	4.10	706048-2X	706197X	706055X	706202X	35468-1	35468-1
603384-22	No Spin	4.56	706091-3X	—	—	—	35468-1	35468-1
603384-23	No Spin	4.10	706091-2X	—	—	—	35468-1	35468-1
1975 1/2 F-350 1 Ton Pick-up, Dual Wheel & Other - 1 Piece Case								
603584-1	Standard	3.73	706048-1X	706051X	706055X	706058X	36113-1	36113-1
603584-3	Standard	3.73	706048-1X	706051X	706055X	706058X	36113-1	36113-1
603584-4	Powr-Lok	3.73	706048-1X	706049X	706053X	706057X	36113-1	36113-1
603584-5	Standard	4.10	706048-2X	706051X	706055X	706058X	36113-1	36113-1
603584-6	Powr-Lok	4.10	706048-2X	706049X	706053X	706057X	36113-1	36113-1
603584-7	Standard	4.10	706048-2X	706051X	706055X	706058X	36113-1	36113-1
603584-8	Powr-Lok	4.10	706048-2X	706049X	706053X	706057X	36113-1	36113-1
603584-9	Standard	4.56	706048-3X	706052X	706056X	706058X	36113-1	36113-1
603584-21	Standard	4.10	706048-2X	706051X	706055X	706058X	36113-1	36113-1
603584-22	No Spin	4.88	706048-4X	—	—	—	36113-1	36113-1
603584-23	No Spin	4.56	706048-3X	—	—	—	36113-1	36113-1
1976-77 F-350 1 Ton Pick-up, Dual Wheel & Other - 1 Piece Case								
603718-1	Standard	3.73	706600-1X	706608X	706612X	706602X	36113-1	36113-1
603718-2	Standard	3.73	706600-1X	706608X	706612X	706602X	36113-1	36113-1
603718-3	Standard	3.73	706600-1X	706608X	706612X	706602X	36113-1	36113-1
603718-5	Standard	4.10	706600-2X	706608X	706612X	706602X	36113-1	36113-1
603718-6	Powr-Lok	4.10	706600-2X	706606X	706610X	706601X	36113-1	36113-1
603718-7	Standard	4.10	706600-2X	706608X	706612X	706602X	36113-1	36113-1
603718-8	Powr-Lok	4.10	706600-2X	706606X	706610X	706601X	36113-1	36113-1
603718-9	Standard	4.56	706600-3X	706609X	706625X	706602X	36113-1	36113-1
603718-10	Powr-Lok	4.56	706600-3X	706607X	706611X	706601X	36113-1	36113-1
603718-11	Standard	4.56	706600-3X	706609X	706625X	706602X	36113-1	36113-1

Continued on next page

(7) See Ring Gear & Pinion Kits in XGI Catalog for ratio & tooth combinations.

(8) See Differential Case Assy Kits in XGI Catalog for spline data & ratios.

(9) Use Internal Parts from Case Assembly.

Ford Model 70 Rear Axles

Bill of Material Table

Axle			Axle Kits				Shaft & Joint Assy.	
Bill of Material	Diff. Type	Ratio	Ring Gear & Pinion Kit ⁽⁷⁾	Differential			Right Hand Shaft Assy.	Left Hand Shaft Assy.
				Case Assy. Kit ⁽⁸⁾	Case Kit	Inner Parts Kit		
1976-77 F-350 1 Ton Pick-up, Dual Wheel & Other - 1 Piece Case (Continued)								
603718-12	Powr-Lok	4.56	706600-3X	706607X	706611X	706601X	36113-1	36113-1
603718-13	Standard	4.56	706600-3X	706609X	706625X	706602X	36113-1	36113-1
603718-21	Standard	4.10	706600-2X	706608X	706612X	706602X	36113-1	36113-1
603718-22	No Spin	4.88	706048-4X	28284X	706631X	35683	36113-1	36113-1
603718-23	No Spin	4.56	706600-3X	28284X	706631X	35683	36113-1	36113-1
603718-24	No Spin	4.10	706048-2X	28286X	706626X	—	36113-1	36113-1
603718-25	No Spin	4.10	706048-2X	28286X	706626X	—	36113-1	36113-1
603718-26	Standard	7.17	706600-3X	706609X	706625X	706602X	36113-1	36113-1
603718-27	No Spin	4.56	706600-3X	28284X	706631X	35683	36113-1	36113-1
1978 F-350 1 Ton Pick-up, Dual Wheel & Other - 1 Piece Case								
603896-1	Standard	3.73	706600-1X	706608X	706612X	706602X	36113-1	36113-1
603896-2	Standard	3.73	706600-1X	706608X	706612X	706602X	36113-1	36113-1
603896-3	Standard	3.73	706600-1X	706608X	706612X	706602X	36113-1	36113-1
603896-7	Standard	4.10	706600-2X	706608X	706612X	706602X	36113-1	36113-1
603896-8	Powr-Lok	4.10	706600-2X	706606X	706610X	706601X	36113-1	36113-1
603896-9	Standard	4.56	706600-3X	706609X	706625X	706602X	36113-1	36113-1
603896-11	Standard	4.56	706600-3X	706609X	706625X	706602X	36113-1	36113-1
603896-13	Standard	4.56	706600-3X	706609X	706625X	706602X	36113-1	36113-1
603896-21	Standard	4.10	706600-2X	706608X	706612X	706602X	36113-1	36113-1

(7) See Ring Gear & Pinion Kits in XGI Catalog for ratio & tooth combinations.

(8) See Differential Case Assy Kits in XGI Catalog for spline data & ratios.

(9) Use Internal Parts from Case Assembly.

Ford Model 70 Rear Axles Common Axle Kits - Use with All Applications



ITEM NO.	DESCRIPTION	KIT PART NUMBER	ITEM NO.	DESCRIPTION	KIT PART NUMBER
Inner Pinion Bearing			Differential Bearing		
		706060X			706047X⁽⁹⁾
3	KIT – Inner Pinion Bearing		20	KIT – Differential Bearing	
Outer Pinion Bearing			Pinion & Bearing Adjusting Shim		
		706045X			706603X
7	KIT – Outer Pinion Bearing		4	Shim – Drive Pinion Adjusting	
Carrier Cover Kit			6	Shim – Pinion Bearing Adjusting	
	Axle B.M. 603556, 603557, 603700, 603718, 603719, 603750, 603801, 603896, 603897, 603907	706573X	12	Pinion Nut	
			15	Carrier Cover Gasket / Sealant	
	Axle B.M. 603909	706561X	Differential Bearing Adjusting Shim		
					706604X⁽¹⁰⁾
	Axle B.M. 602969, 602974, 603082, 603084, 603115, 603117, 603180, 603199, 603201, 603384, 603530, 603584, 603587	706149X	15	Carrier Cover Gasket / Sealant	
			21	Shim – Differential Bearing	
			Differential & Pinion Shim		
					706605X⁽¹¹⁾
14	Carrier Cover		4	Shim – Drive Pinion Adjusting	
15	Carrier Cover Gasket / Sealant		6	Shim – Pinion Bearing Adjusting	
16	Plug – Carrier Cover		11	Washer – Pinion Nut	
17	Bolt – Carrier Cover		12	Pinion Nut	
			15	Carrier Cover Gasket / Sealant	
			21	Shim – Differential Bearing	

When replacing Carrier Cover Gasket, replace with same type originally used. RTV tube gasket recommended for use on flat flange type cover. Paper or cork gasket recommended for use on ribbed flange cover.

(9) On Model D-50 Bills of Material 603801 and 603909 use Kit Number 706070X

(10) On Model D-50 Bills of Material 603801 and 603909 use Kit Number 706713X

(11) On Model D-50 Bills of Material 603801 and 603909 use Kit Number 706714X

Axle Shaft Dimensions

Part Number	Spline		Flange Face to End of Spline	Flange Diameter	Bolts	
	Diameter & Number of Splines	Length			Circle Diameter	Number of Bolt Holes
34414-1	1 1/2" -23	1 5/8"	23 ^{29/64"}	4 3/4"	3 31/32"	8
35468-1	1 1/2" -23	1 5/8"	35 ^{27/64"}	4 3/4"	3 31/32"	8
36113-1	1 1/2" -35	1 5/8"	35 ^{27/64"}	4 3/4"	3 31/32"	8
36113-5	1 1/2" -35	1 5/8"	37 ^{13/16"}	4 3/4"	3 31/32"	8
36113-6	1 1/2" -35	1 5/8"	41 ^{5/32"}	4 3/4"	3 31/32"	8
36113-7	1 1/2" -35	1 5/8"	34 1/2"	4 3/4"	3 31/32"	8
36113-8	1 1/2" -35	1 5/8"	39 ^{27/32"}	4 3/4"	3 31/32"	8
36113-17	1 1/2" -35	1 5/8"	39 ^{13/16"}	4 3/4"	3 31/32"	8
36113-18	1 1/2" -35	1 5/8"	35 ^{27/64"}	4 3/4"	3 31/32"	8
36113-19	1 1/2" -35	1 5/8"	40 ^{3/16"}	4 3/4"	3 31/32"	8

Ford Model 70 Rear Axles Kit Components

ITEM NO.	DESCRIPTION	ITEM NO.	DESCRIPTION	ITEM NO.	DESCRIPTION
Drive Pinion & Gear Assembly		Differential Case Assembly (Powr-Lok)		Differential Parts (standard)	
2	Drive Pinion & Gear Assembly	15	Carrier Cover Gasket / Sealant	15	Carrier Cover Gasket / Sealant
3	KIT – Inner Pinion Bearing	20	KIT – Differential Bearing	23	Bolt – Drive Gear (qty 10)
4	Inner Pinion Shims	21	Shim – Differential Bearing	24	Pinion – Differential
5	Baffle – Pinion Bearing	23	Bolt – Drive Gear (qty 10)	25	Gear – Differential
6	Outer Pinion Shims	40	Spacer – Differential Bearing	26	Thrustwasher – Diff. Pinion
7	KIT – Outer Pinion Bearing	41	Flange Half – Differential Case	27	Thrustwasher – Diff. Gear
8	Slinger – Outer Pinion Bearing	42	Cap Half – Differential Case	28	Shaft – Differential Pinion
9	Seal – Pinion Oil	43	Shaft – Differential	29	Lock – Differential Shaft
11	Washer – Pinion Nut	44	Pinion – Differential	Differential Parts (std.) 2 Piece Case	
12	Pinion Nut	45	Gear – Differential		
15	Carrier Cover Gasket / Sealant	46	Ring – Differential Gear		
21	Shim – Differential Bearing	47	Plate – Differential		
23	Bolt – Drive Gear (qty 10)	48	Disc – Differential		
40	Spacer – Differential Bearing	49	Disc – Differential (dished)		
Differential Case Assembly (standard) (1 piece Case)		50	Plate – Differential (dished)		
		51	Bolt – Differential Case		
		Differential Case (standard) (1 piece Case)		Differential Parts (Powr-Lok)	
		15	Carrier Cover Gasket / Sealant	15	Carrier Cover Gasket / Sealant
		20	KIT – Differential Bearing	43	Shaft – Differential
21	Shim – Differential Bearing	22	Case – Differential	44	Pinion – Differential
22	Case – Differential	23	Bolt – Drive Gear (qty 10)	45	Gear – Differential
23	Bolt – Drive Gear (qty 10)	29	Lock – Differential Shaft	46	Ring – Differential Gear
24	Pinion – Differential	Differential Case (standard) (2 piece Case)		47	Plate – Differential
25	Gear – Differential	15	Carrier Cover Gasket / Sealant	48	Disc – Differential
26	Thrustwasher – Diff. Pinion	21	Shim – Differential Bearing	49	Disc – Differential (dished)
27	Thrustwasher – Diff. Gear	23	Bolt – Drive Gear (qty 10)	50	Plate – Differential (dished)
28	Shaft – Differential Pinion	41	Flange Half – Differential Case		
29	Lock – Differential Shaft	42	Cap Half – Differential Case		
40	Spacer – Differential Bearing	51	Bolt – Differential Case		
Differential Case Assembly (standard) (2 piece Case)		Differential Case (Powr-Lok)			
		15	Carrier Cover Gasket / Sealant		
		20	KIT – Differential Bearing		
		21	Shim – Differential Bearing		
		23	Bolt – Drive Gear (qty 10)		
		24	Pinion – Differential		
		25	Gear – Differential		
		26	Thrustwasher – Diff. Pinion		
		27	Thrustwasher – Diff. Gear		
		40	Spacer – Differential Bearing		
41	Flange Half – Differential Case				
42	Cap Half – Differential Case				
43	Shaft – Differential Pinion				
51	Bolt – Differential Case				

When replacing Carrier Cover Gasket, replace with same type originally used. RTV tube gasket recommended for use on flat flange type cover. Paper or cork gasket recommended for use on ribbed flange cover.

GMC / Chevrolet 1967-1978

Model 44 Front Axles for

K5 Blazer

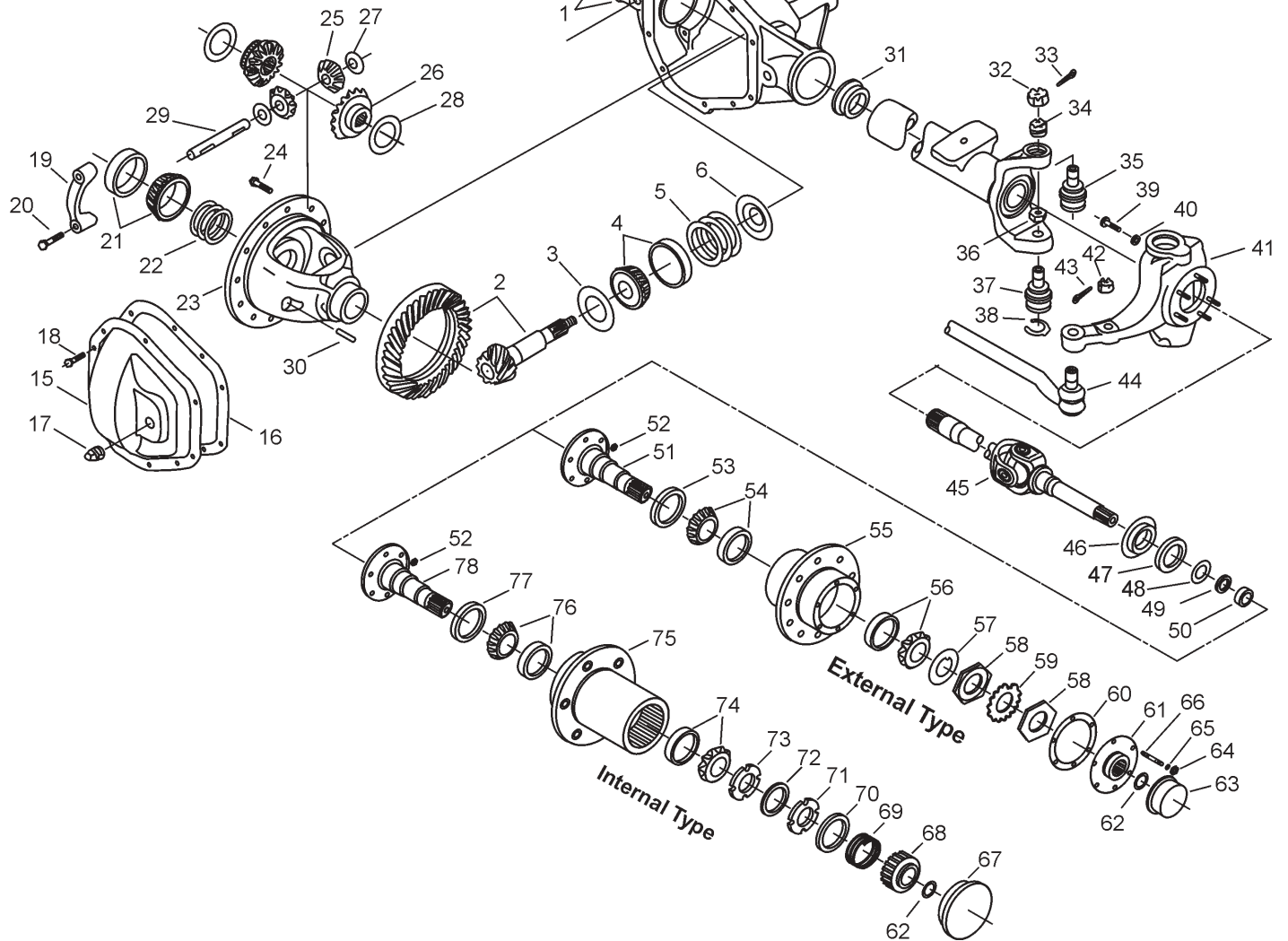
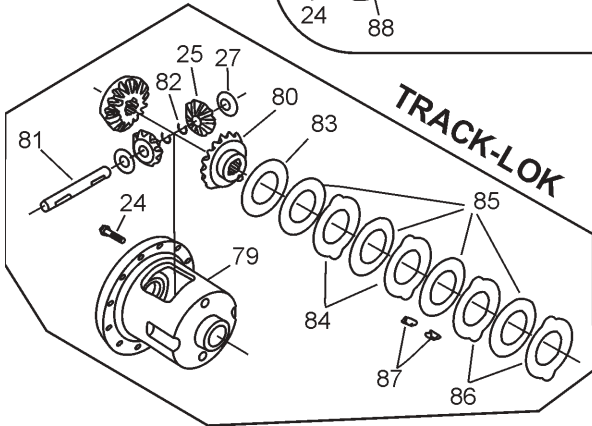
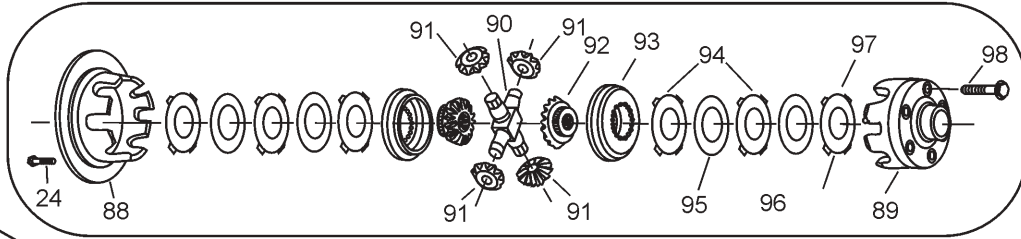
**K10 1/2 Ton Pick-up & Station Wagon
on Truck Chassis**

**K20 3/4 Ton Pick-up & Station Wagon
on Truck Chassis**

GMC / Chevrolet Model 44 Front Axles

Exploded View

POWR-LOK



GMC / Chevrolet Model 44 Front Axles

Parts Listing

ITEM NO.	PART IDENTIFICATION	ITEM NO.	PART IDENTIFICATION	ITEM NO.	PART IDENTIFICATION
1 ⁽¹⁾	Housing – Axle Service	35	Upper Socket Assembly	69	Pressure Spring
2	Drive Pinion & Gear Assembly	36	Lock Nut	70	Spring Retaining Plate
3	Slinger – Inner Pinion Bearing	37	Lower Socket Assembly	71	Wheel Bearing Adjusting Nut
	PKG – Inner Pinion Shim	38	Snap Ring	72	Lock Nut
4	KIT – Inner Pinion Bearing	39	Stop Screw	73	Nut & Pin Assembly – Inner Lock
5	Inner Pinion Shims	40	Jam Nut	74	KIT – Outer Wheel Bearing
6	Baffle – Pinion Bearing	41	Knuckle Assembly	75	Wheel Hub
7	Outer Pinion Shims	42 ⁽¹⁾	Nut - Hex Slotted	76	KIT – Inner Wheel Bearing
8	KIT – Outer Pinion Bearing	43 ⁽¹⁾	Cotter Pin	77	Oil Seal
9	Slinger – Outer Pinion Bearing	44 ⁽¹⁾	Tie Rod Assembly	78	Wheel Bearing Spindle
10	Seal – Pinion Oil	45	Shaft & Joint Assembly		
11 ⁽²⁾	End Yoke Assembly	46	Slinger – Spindle Yoke (pressed on axle shaft if used)	Power-Lok & Trak-Lok Differential	
12	Washer – Pinion Nut				
13	Pinion Nut	47	Oil Seal	79	Case – Differential
14 ⁽²⁾	Companion Flange Assembly	48	Spacer – Wheel Bearing Spindle	80	Gear – Differential
15	Carrier Cover	49	Oil Seal - Block Vee	81	Shaft – Differential
16	Carrier Cover Gasket / Sealant	50	Needle Bearing Assembly	82	Snap Ring
17	Plug – Carrier Cover	51	Wheel Bearing Spindle	83	Spacer – Diff. Gear (dished)
18	Bolt – Carrier Cover (qty 10)	52	Brake Mounting Nut	84	Plate – Differential
19 ⁽¹⁾	Differential Bearing Cap	53	Oil Seal	85	Disc – Differential
20 ⁽¹⁾	Bolt – Differential Bearing Cap	54	KIT – Inner Wheel Bearing	86	Plate – Differential
21	KIT – Differential Bearing	55	Wheel Hub	87	Clip – Diff. Clutch Retainer
22	Shim – Differential Bearing	56	KIT – Outer Wheel Bearing	88	Flange Half – Differential Case
23	Case – Differential	57	Wheel Bearing Lockwasher	89	Cap Half – Differential Case
24	Bolt – Drive Gear (qty 10)	58	Wheel Bearing Nut	90	Shaft – Differential
25	Pinion – Differential	59	Lockwasher – Wheel Brg Nut	91	Pinion – Differential
26	Gear – Differential	60	Drive Flange Gasket	92	Gear – Differential
27	Thrustwasher – Diff. Pinion	61	Drive Flange	93	Ring – Differential Gear
28	Thrustwasher – Diff. Gear	62	Snap Ring	94	Plate – Differential
29	Shaft – Differential Pinion	63	Hub Cap	95	Disc – Differential
30	Lock – Differential Shaft	64	Nut	96	Disc – Differential (dished)
31	Seal & Guide Tube	65	Lockwasher	97	Plate – Differential (dished)
32	Nut - Hex Slotted	66	Stud	98	Bolt – Differential Case
33	Cotter Pin	67	Hub Cap		
34	Adjusting Split Ring	68	Axle Drive Gear		

(1) Contact Vehicle Manufacturer

(2) See Spicer Driveline Catalog J300P Section 10
Check availability on all Powr-Lok parts before ordering

GMC / Chevrolet Model 44 Front Axles

Bill of Material Table

Axle			Axle Kits				Shaft & Joint Assy.	
Bill of Material	Diff. Type	Ratio	Ring Gear & Pinion Kit ⁽⁷⁾	Differential			Right Hand Shaft Assy.	Left Hand Shaft Assy.
				Case Assy. Kit ⁽⁸⁾	Case Kit	Inner Parts Kit		
1967-68 K5 Blazer, K10 1/2 Ton Pick-up & Station Wagon on Truck Chassis								
602877-1	Standard	3.73	706613-6X	706614X	706615X	706616X	206032-1	206032-2
602877-2	Powr-Lok	3.73	706613-6X	23714X	23435X	— ⁽⁹⁾	206032-1	206032-2
602877-3	Standard	3.73	706613-6X	706614X	706615X	706616X	206032-1	206032-2
602877-4	Powr-Lok	3.73	706613-6X	23714X	23435X	— ⁽⁹⁾	206032-1	206032-2
602877-5	Standard	3.54	706613-4X	706614X	706615X	706616X	206032-1	206032-2
602877-12	Standard	3.54	706613-4X	706614X	706615X	706616X	206032-1	206032-2
1968 K5 Blazer, K10 1/2 Ton Pick-up & Station Wagon on Truck Chassis								
602955-3	Standard	3.73	706613-6X	706614X	706615X	706616X	206032-1	206032-2
1968 1/2 K5 Blazer, K10 1/2 Ton Pick-up & Station Wagon on Truck Chassis								
603001-1	Standard	3.73	706613-6X	706614X	706615X	706616X	206032-1	206032-2
603001-2	Powr-Lok	3.73	706613-6X	23714X	23435X	— ⁽⁹⁾	206032-1	206032-2
603001-3	Standard	3.73	706613-6X	706614X	706615X	706616X	206032-1	206032-2
603001-4	Powr-Lok	3.73	706613-6X	23714X	23435X	— ⁽⁹⁾	206032-1	206032-2
603001-5	Standard	3.54	706613-4X	706614X	706615X	706616X	206032-1	206032-2
603001-12	Standard	3.54	706613-4X	706614X	706615X	706616X	206032-1	206032-2
1969 K5 Blazer, K10 1/2 Ton Pick-up & Station Wagon on Truck Chassis								
603035-1	Standard	3.73	706613-6X	706614X	706615X	706616X	904686-3	904686-4
603035-3	Standard	3.73	706613-6X	706614X	706615X	706616X	904686-3	904686-4
603035-5	Standard	3.54	706613-4X	706614X	706615X	706616X	904686-3	904686-4
603035-8	Standard	3.07	706613-2X	706614X	706615X	706616X	904686-3	904686-4
603035-9	Standard	3.07	706613-2X	706614X	706615X	706616X	904686-3	904686-4
603035-10	Standard	3.54	706613-4X	706614X	706615X	706616X	904686-3	904686-4
1969 1/2 K5 Blazer, K10 1/2 Ton Pick-up & Station Wagon on Truck Chassis								
603060-1	Standard	3.73	706613-6X	706614X	706615X	706616X	206032-1	206032-2
603060-2	Powr-Lok	3.73	706613-6X	23714X	23435X	— ⁽⁹⁾	206032-1	206032-2
603060-3	Standard	3.73	706613-6X	706614X	706615X	706616X	206032-1	206032-2
603060-4	Powr-Lok	3.73	706613-6X	23714X	23435X	— ⁽⁹⁾	206032-1	206032-2
603060-5	Standard	3.54	706613-4X	706614X	706615X	706616X	206032-1	206032-2
603060-11	Standard	3.07	706613-2X	706614X	706615X	706616X	206032-1	206032-2
603060-12	Standard	3.54	706613-4X	706614X	706615X	706616X	206032-1	206032-2
603060-13	Standard	3.73	706613-6X	706614X	706615X	706616X	206032-1	206032-2
1970-71 K5 Blazer, K10 1/2 Ton Pick-up & Station Wagon on Truck Chassis								
603170-1	Standard	3.73	706613-6X	706614X	706615X	706616X	904686-1	904686-2
603170-3	Standard	3.73	706613-6X	706614X	706615X	706616X	904686-1	904686-2
603170-4	Powr-Lok	3.73	706613-6X	23714X	23435X	— ⁽⁹⁾	904686-1	904686-2
603170-8	Standard	3.07	706613-2X	706614X	706615X	706616X	904686-1	904686-2
603170-9	Standard	3.07	706613-2X	706614X	706615X	706616X	904686-1	904686-2
603170-11	Standard	3.73	706613-6X	706614X	706615X	706616X	904686-1	904686-2
1972 K5 Blazer, K10 1/2 Ton Pick-up & Station Wagon on Truck Chassis								
603351-1	Standard	3.73	706613-6X	706614X	706615X	706616X	904371-1	904371-2
603351-3	Standard	3.73	706613-6X	706614X	706615X	706616X	904371-1	904371-2
603351-4	Trac-Lok	3.73	706613-6X	706628X	706629X	706630X	904371-1	904371-2
603351-8	Standard	3.07	706613-2X	706614X	706615X	706616X	904371-1	904371-2
603351-9	Standard	3.07	706613-2X	706614X	706615X	706616X	904371-1	904371-2
603351-10	Standard	3.73	706613-6X	706614X	706615X	706616X	904371-1	904371-2

(7) See Ring Gear & Pinion Kits in XGI Catalog for ratio & tooth combinations.

(8) See Differential Case Assy Kits in XGI Catalog for spline data & ratios.

GMC / Chevrolet Model 44 Front Axles

Bill of Material Table

Axle			Axle Kits				Shaft & Joint Assy.	
Bill of Material	Diff. Type	Ratio	Ring Gear & Pinion Kit ⁽⁷⁾	Differential			Right Hand Shaft Assy.	Left Hand Shaft Assy.
				Case Assy. Kit ⁽⁸⁾	Case Kit	Inner Parts Kit		
1973 K5 Blazer, K10 1/2 Ton Pick-up & Station Wagon on Truck Chassis								
603374-1	Standard	3.73	706613-6X	706614X	706615X	706616X	29833-1X	29833-2X
603374-3	Standard	3.73	706613-6X	706614X	706615X	706616X	29833-1X	29833-2X
603374-4	Trac-Lok	3.73	706613-6X	706628X	706629X	706630X	29833-1X	29833-2X
603374-8	Standard	3.07	706613-2X	706614X	706615X	706616X	29833-1X	29833-2X
603374-9	Standard	3.07	706613-2X	706614X	706615X	706616X	29833-1X	29833-2X
603374-10	Standard	3.73	706613-6X	706614X	706615X	706616X	29833-1X	29833-2X
603374-11	Standard	4.09	706613-5X	706695X	706696X	706616X	29833-1X	29833-2X
603374-12	Standard	4.09	706613-5X	706695X	706696X	706616X	29833-1X	29833-2X
1974-75 K5 Blazer, K10 1/2 Ton Pick-up & Station Wagon on Truck Chassis								
603454-1	Standard	3.73	706613-6X	706614X	706615X	706616X	29833-1X	29833-2X
603454-3	Standard	3.73	706613-6X	706614X	706615X	706616X	29833-1X	29833-2X
603454-8	Standard	3.07	706613-2X	706614X	706615X	706616X	29833-1X	29833-2X
603454-9	Standard	3.07	706613-2X	706614X	706615X	706616X	29833-1X	29833-2X
603454-11	Standard	4.09	706613-5X	706695X	706696X	706616X	29833-1X	29833-2X
603454-12	Standard	4.09	706613-5X	706695X	706696X	706616X	29833-1X	29833-2X
1976 K5 Blazer, K10 1/2 Ton Pick-up & Station Wagon on Truck Chassis								
603706-1	Standard	3.07	706613-2X	706614X	706615X	706616X	29833-1X	29833-2X
603706-2	Standard	3.07	706613-2X	706614X	706615X	706616X	29833-1X	29833-2X
603706-3	Standard	3.73	706613-6X	706614X	706615X	706616X	29833-1X	29833-2X
603706-4	Standard	3.73	706613-6X	706614X	706615X	706616X	29833-1X	29833-2X
603706-5	Standard	4.09	706613-5X	706695X	706696X	706616X	29833-1X	29833-2X
603706-6	Standard	4.09	706613-5X	706695X	706696X	706616X	29833-1X	29833-2X
1976 1/2 K5 Blazer, K10 1/2 Ton Pick-up & Station Wagon on Truck Chassis								
603675-1	Standard	3.07	706613-2X	706614X	706615X	706616X	29833-1X	29833-2X
603675-2	Standard	3.07	706613-2X	706614X	706615X	706616X	29833-1X	29833-2X
603675-3	Standard	3.73	706613-6X	706614X	706615X	706616X	29833-1X	29833-2X
603675-4	Standard	3.73	706613-6X	706614X	706615X	706616X	29833-1X	29833-2X
603675-5	Standard	4.09	706613-5X	706695X	706696X	706616X	29833-1X	29833-2X
603675-6	Standard	4.09	706613-5X	706695X	706696X	706616X	29833-1X	29833-2X
1977 K5 Blazer, K10 1/2 Ton Pick-up & Station Wagon on Truck Chassis								
603792-1	Standard	3.07	706613-2X	706614X	706615X	706616X	29833-1X	29833-2X
603792-2	Standard	3.07	706613-2X	706614X	706615X	706616X	29833-1X	29833-2X
603792-3	Standard	3.73	706613-6X	706614X	706615X	706616X	29833-1X	29833-2X
603792-4	Standard	3.73	706613-6X	706614X	706615X	706616X	29833-1X	29833-2X
603792-5	Standard	4.09	706613-5X	706695X	706696X	706616X	29833-1X	29833-2X
603792-6	Standard	4.09	706613-5X	706695X	706696X	706616X	29833-1X	29833-2X
603792-7	Standard	2.73	700025-1	706614X	706615X	706616X	29833-1X	29833-2X
603792-8	Standard	2.73	700025-1	706614X	706615X	706616X	29833-1X	29833-2X
603792-9	Standard	3.42	700025-3	706614X	706615X	706616X	29833-1X	29833-2X
603792-10	Standard	3.42	700025-3	706614X	706615X	706616X	29833-1X	29833-2X
1978 K5 Blazer, K10 1/2 Ton Pick-up & Station Wagon on Truck Chassis								
610036-1	Standard	3.07	706613-2X	706614X	706615X	706616X	29833-1X	29833-2X
610036-2	Standard	3.07	706613-2X	706614X	706615X	706616X	29833-1X	29833-2X
610036-3	Standard	3.73	706613-6X	706614X	706615X	706616X	29833-1X	29833-2X
610036-4	Standard	3.73	706613-6X	706614X	706615X	706616X	29833-1X	29833-2X
610036-5	Standard	4.09	706613-5X	706695X	706696X	706616X	29833-1X	29833-2X
610036-6	Standard	4.09	706613-5X	706695X	706696X	706616X	29833-1X	29833-2X

Continued on next page

(7) See Ring Gear & Pinion Kits in XGI Catalog for ratio & tooth combinations.

(8) See Differential Case Assy Kits in XGI Catalog for spline data & ratios.

GMC / Chevrolet Model 44 Front Axles

Bill of Material Table

Axle			Axle Kits				Shaft & Joint Assy.	
Bill of Material	Diff. Type	Ratio	Ring Gear & Pinion Kit ⁽⁷⁾	Differential			Right Hand Shaft Assy.	Left Hand Shaft Assy.
				Case Assy. Kit ⁽⁸⁾	Case Kit	Inner Parts Kit		
1978 K5 Blazer, K10 1/2 Ton Pick-up & Station Wagon on Truck Chassis (Continued)								
610036-7	Standard	2.73	700025-1	706614X	706615X	706616X	29833-1X	29833-2X
610036-8	Standard	2.73	700025-1	706614X	706615X	706616X	29833-1X	29833-2X
610036-9	Standard	3.42	700025-3	706614X	706615X	706616X	29833-1X	29833-2X
610036-10	Standard	3.42	700025-3	706614X	706615X	706616X	29833-1X	29833-2X
1967 K20 3/4 Ton Pick-up & Station Wagon on Truck Chassis								
602878-1	Standard	4.55	706613-8X	706695X	706696X	706616X	206032-1	206032-2
602878-2	Power-Lok	4.55	706613-8X	23715X	23436X	— ⁽⁹⁾	206032-1	206032-2
602878-3	Standard	4.55	706613-8X	706695X	706696X	706616X	206032-1	206032-2
602878-4	Power-Lok	4.55	706613-8X	23715X	23436X	— ⁽⁹⁾	206032-1	206032-2
602878-11	Standard	4.55	706613-8X	706695X	706696X	706616X	206032-1	206032-2
1967 K20 3/4 Ton Pick-up & Station Wagon on Truck Chassis - HD Axle								
602899-3	Standard	4.09	706613-5X	706695X	706696X	706616X	207490-1	207490-2
602899-4	Standard	4.09	706613-5X	706695X	706696X	706616X	207490-1	207490-2
1968 K20 3/4 Ton Pick-up & Station Wagon on Truck Chassis								
603004-1	Standard	4.55	706613-8X	706695X	706696X	706616X	206032-1	206032-2
603004-2	Power-Lok	4.55	706613-8X	23715X	23436X	— ⁽⁹⁾	206032-1	206032-2
603004-3	Standard	4.55	706613-8X	706695X	706696X	706616X	206032-1	206032-2
603004-4	Power-Lok	4.55	706613-8X	23715X	23436X	— ⁽⁹⁾	206032-1	206032-2
603004-7	Power-Lok	4.09	706613-5X	23715X	23436X	— ⁽⁹⁾	206032-1	206032-2
603004-9	Standard	4.09	706613-5X	706695X	706696X	706616X	206032-1	206032-2
603004-11	Standard	4.55	706613-8X	706695X	706696X	706616X	206032-1	206032-2
603004-12	Power-Lok	4.55	706613-8X	23715X	23436X	— ⁽⁹⁾	206032-1	206032-2
1968 K20 3/4 Ton Pick-up & Station Wagon on Truck Chassis - HD Axle								
603005-1	Standard	4.55	706613-8X	706695X	706696X	706616X	207490-1	207490-2
603005-2	Power-Lok	4.55	706613-8X	23715X	23436X	— ⁽⁹⁾	207490-1	207490-2
603005-3	Standard	4.55	706613-8X	706695X	706696X	706616X	207490-1	207490-2
603005-4	Power-Lok	4.55	706613-8X	23715X	23436X	— ⁽⁹⁾	207490-1	207490-2
1969 K20 3/4 Ton Pick-up & Station Wagon on Truck Chassis								
603061-1	Standard	4.55	706613-8X	706695X	706696X	706616X	206032-1	206032-2
603061-3	Standard	4.55	706613-8X	706695X	706696X	706616X	206032-1	206032-2
603061-4	Power-Lok	4.55	706613-8X	23715X	23436X	— ⁽⁹⁾	206032-1	206032-2
603061-11	Standard	4.55	706613-8X	706695X	706696X	706616X	206032-1	206032-2
603061-12	Power-Lok	4.55	706613-8X	23715X	23436X	— ⁽⁹⁾	206032-1	206032-2
1969 K20 3/4 Ton Pick-up & Station Wagon on Truck Chassis - HD Axle								
603062-1	Standard	4.55	706613-8X	706695X	706696X	706616X	207490-1	207490-2
603062-3	Standard	4.55	706613-8X	706695X	706696X	706616X	207490-1	207490-2
603062-4	Power-Lok	4.55	706613-8X	23715X	23436X	— ⁽⁹⁾	207490-1	207490-2
603062-8	Standard	4.09	706613-5X	706695X	706696X	706616X	207490-1	207490-2
603062-9	Standard	4.55	706613-8X	706695X	706696X	706616X	207490-1	207490-2
603062-10	Power-Lok	4.55	706613-8X	23715X	23436X	— ⁽⁹⁾	207490-1	207490-2
1969 1/2 K20 3/4 Ton Pick-up & Station Wagon on Truck Chassis								
603100-1	Standard	4.55	706613-8X	706695X	706696X	706616X	206032-1	206032-2
603100-3	Standard	4.55	706613-8X	706695X	706696X	706616X	206032-1	206032-2
603100-4	Power-Lok	4.55	706613-8X	23715X	23436X	— ⁽⁹⁾	206032-1	206032-2
603100-8	Standard	4.09	706613-5X	706695X	706696X	706616X	206032-1	206032-2
603100-11	Standard	4.55	706613-8X	706695X	706696X	706616X	206032-1	206032-2
603100-12	Power-Lok	4.55	706613-8X	23715X	23436X	— ⁽⁹⁾	206032-1	206032-2

(7) See Ring Gear & Pinion Kits in XGI Catalog for ratio & tooth combinations.

(8) See Differential Case Assy Kits in XGI Catalog for spline data & ratios.

GMC / Chevrolet Model 44 Front Axles

Bill of Material Table

Axle			Axle Kits				Shaft & Joint Assy.	
Bill of Material	Diff. Type	Ratio	Ring Gear & Pinion Kit ⁽⁷⁾	Differential			Right Hand Shaft Assy.	Left Hand Shaft Assy.
				Case Assy. Kit ⁽⁸⁾	Case Kit	Inner Parts Kit		
1969 1/2 K20 3/4 Ton Pick-up & Station Wagon on Truck Chassis - HD Axle								
603101-1	Standard	4.55	706613-8X	706695X	706696X	706616X	207490-1	207490-2
603101-3	Standard	4.55	706613-8X	706695X	706696X	706616X	207490-1	207490-2
603101-4	Power-Lok	4.55	706613-8X	23715X	23436X	— ⁽⁹⁾	207490-1	207490-2
603101-5	Standard	4.09	706613-5X	706695X	706696X	706616X	207490-1	207490-2
603101-8	Standard	4.09	706613-5X	706695X	706696X	706616X	207490-1	207490-2
603101-9	Standard	4.55	706613-8X	706695X	706696X	706616X	207490-1	207490-2
603101-10	Power-Lok	4.55	706613-8X	23715X	23436X	— ⁽⁹⁾	207490-1	207490-2
1970 K20 3/4 Ton Pick-up & Station Wagon on Truck Chassis								
603036-1	Standard	4.55	706613-8X	706695X	706696X	706616X	904685-1	904685-2
603036-2	Power-Lok	4.55	706613-8X	23715X	23436X	— ⁽⁹⁾	904685-1	904685-2
603036-3	Standard	4.55	706613-8X	706695X	706696X	706616X	904685-1	904685-2
603036-4	Power-Lok	4.55	706613-8X	23715X	23436X	— ⁽⁹⁾	904685-1	904685-2
603036-8	Standard	4.09	706613-5X	706695X	706696X	706616X	904685-1	904685-2
603036-9	Standard	4.09	706613-5X	706695X	706696X	706616X	904685-1	904685-2
603036-11	Standard	4.55	706613-8X	706695X	706696X	706616X	904685-1	904685-2
1971-72 K20 3/4 Ton Pick-up & Station Wagon on Truck Chassis								
603352-1	Standard	4.55	706613-8X	706695X	706696X	706616X	904371-1	904371-2
603352-3	Standard	4.55	706613-8X	706695X	706696X	706616X	904371-1	904371-2
603352-4	Trac-Lok	4.55	706613-8X	706658X	706659X	706630X	904371-1	904371-2
603352-8	Standard	4.09	706613-5X	706695X	706696X	706616X	904371-1	904371-2
603352-9	Standard	4.09	706613-5X	706695X	706696X	706616X	904371-1	904371-2
603352-10	Standard	4.55	706613-8X	706695X	706696X	706616X	904371-1	904371-2
603352-11	Standard	4.09	706613-5X	706695X	706696X	706616X	904371-1	904371-2
1973 K20 3/4 Ton Pick-up & Station Wagon on Truck Chassis								
603375-1	Standard	4.55	706613-8X	706695X	706696X	706616X	29833-1X	29833-2X
603375-3	Standard	4.55	706613-8X	706695X	706696X	706616X	29833-1X	29833-2X
603375-4	Trac-Lok	4.55	706613-8X	706658X	706659X	706630X	29833-1X	29833-2X
603375-8	Standard	4.09	706613-5X	706695X	706696X	706616X	29833-1X	29833-2X
603375-9	Standard	4.09	706613-5X	706695X	706696X	706616X	29833-1X	29833-2X
603375-11	Standard	4.09	706613-5X	706695X	706696X	706616X	29833-1X	29833-2X
1974-75 K20 3/4 Ton Pick-up & Station Wagon on Truck Chassis								
603455-1	Standard	4.55	706613-8X	706695X	706696X	706616X	29833-1X	29833-2X
603455-3	Standard	4.55	706613-8X	706695X	706696X	706616X	29833-1X	29833-2X
603455-8	Standard	4.09	706613-5X	706695X	706696X	706616X	29833-1X	29833-2X
603455-9	Standard	4.09	706613-5X	706695X	706696X	706616X	29833-1X	29833-2X
1976 K20 3/4 Ton Pick-up & Station Wagon on Truck Chassis								
603707-1	Standard	4.55	706613-8X	706695X	706696X	706616X	29833-1X	29833-2X
603707-3	Standard	4.55	706613-8X	706695X	706696X	706616X	29833-1X	29833-2X
603707-8	Standard	4.09	706613-5X	706695X	706696X	706616X	29833-1X	29833-2X
603707-9	Standard	4.09	706613-5X	706695X	706696X	706616X	29833-1X	29833-2X
1976 1/2 K20 3/4 Ton Pick-up & Station Wagon on Truck Chassis								
603676-1	Standard	4.55	706613-8X	706695X	706696X	706616X	29833-1X	29833-2X
603676-3	Standard	4.55	706613-8X	706695X	706696X	706616X	29833-1X	29833-2X
603676-8	Standard	4.09	706613-5X	706695X	706696X	706616X	29833-1X	29833-2X
603676-9	Standard	4.09	706613-5X	706695X	706696X	706616X	29833-1X	29833-2X

(7) See Ring Gear & Pinion Kits in XGI Catalog for ratio & tooth combinations.

(8) See Differential Case Assy Kits in XGI Catalog for spline data & ratios.

GMC / Chevrolet Model 44 Front Axles

Bill of Material Table

Axle			Axle Kits				Shaft & Joint Assy.	
Bill of Material	Diff. Type	Ratio	Ring Gear & Pinion Kit ⁽⁷⁾	Differential			Right Hand Shaft Assy.	Left Hand Shaft Assy.
				Case Assy. Kit ⁽⁸⁾	Case Kit	Inner Parts Kit		
1977 K20 3/4 Ton Pick-up & Station Wagon on Truck Chassis								
603793-1	Standard	4.09	706613-5X	706695X	706696X	706616X	29833-1X	29833-2X
603793-2	Standard	4.09	706613-5X	706695X	706696X	706616X	29833-1X	29833-2X
603793-3	Standard	4.55	706613-8X	706695X	706696X	706616X	29833-1X	29833-2X
603793-4	Standard	4.55	706613-8X	706695X	706696X	706616X	29833-1X	29833-2X
603793-5	Standard	3.73	706613-6X	706614X	706615X	706616X	29833-1X	29833-2X
603793-6	Standard	3.73	706613-6X	706614X	706615X	706616X	29833-1X	29833-2X
1978 K20 3/4 Ton Pick-up & Station Wagon on Truck Chassis								
610037-1	Standard	4.09	706613-5X	706695X	706696X	706616X	29833-1X	29833-2X
610037-2	Standard	4.09	706613-5X	706695X	706696X	706616X	29833-1X	29833-2X
610037-3	Standard	4.55	706613-8X	706695X	706696X	706616X	29833-1X	29833-2X
610037-4	Standard	4.55	706613-8X	706695X	706696X	706616X	29833-1X	29833-2X
610037-5	Standard	3.73	706613-6X	706614X	706615X	706616X	29833-1X	29833-2X
610037-6	Standard	3.73	706613-6X	706614X	706615X	706616X	29833-1X	29833-2X

(7) See Ring Gear & Pinion Kits in XGI Catalog for ratio & tooth combinations.

(8) See Differential Case Assy Kits in XGI Catalog for spline data & ratios.

Axle Shaft Dimensions

Complete Assembly Number	Inner Shaft - Side Gear End			Outer Shaft - Spline End			Axle Shaft & Joint Assembly		
	Major Spline Diameter	Centerline to End of Spline	Yoke Shaft Part Number	Major Spline Diameter	Centerline to End of Spline	Yoke Shaft Part Number	Side	Overall Length	Cross & Bearing Kit
29833-1X	1 5/16" -30	18 1/2"	27902-1X	1 1/4" -19	9 15/16"	38347	Right	25 17/16"	5-297X
29833-2X	1 5/16" -30	36 1/8"	27902-2X	1 1/4" -19	9 15/16"	38347	Left	46 1/16"	5-297X
206032-1	1 5/16" -30	18"	27656-1X	1 1/4" -19	9 17/32"	660118-1	Right	27 17/32"	5-74X
206032-2	1 5/16" -30	35 5/8"	27656-2X	1 1/4" -19	9 17/32"	660118-1	Left	45 5/32"	5-74X
207490-1	1 5/16" -30	18"	3-82-471-1	1 1/4" -19	10 1/16"	3-82-411	Right	28 1/16"	5-86X
207490-2	1 5/16" -30	35 5/8"	3-82-471-1	1 1/4" -19	10 1/16"	3-82-411	Left	45 11/16"	5-86X
904371-1	1 5/16" -30	18 1/2"	27553-7X	1 1/4" -19	9 59/64"	2-82-1221	Right	28 27/64"	5-260X
904371-2	1 5/16" -30	36 1/8"	27553-8X	1 1/4" -19	9 59/64"	2-82-1221	Left	46 3/64"	5-260X
904685-1	1 5/16" -30	18 1/2"	27553-7X	1 1/4" -19	9 49/64"	2-82-1171	Right	28 17/64"	5-260X
904685-2	1 5/16" -30	36 1/8"	27553-8X	1 1/4" -19	9 49/64"	2-82-1171	Left	45 57/64"	5-260X

GMC / Chevrolet Model 44 Front Axles Axle Kits - Use with All Applications

Description & Item Number (Refer to "Exploded View" at the front of this section)		Bills of Material				
		602877 602955 603001	602878 603004	602899	603005	603035
Inner Pinion Bearing Kit	4	706031X	706031X	706031X	706031X	706031X
Pinion & Bearing Adjusting Shim (inc. items 5, 7, 12, 13, 16)	—	706617X	706617X	706617X	706617X	706617X
Differential & Pinion Shim (inc. items 5, 7, 12, 13, 16, 22)	—	706619X	706619X	706619X	706619X	706619X
Outer Pinion Bearing	8	706030X	706030X	706030X	706030X	706030X
Carrier Cover (inc. 15, 16, 17, 18)	—	706101X	706101X	706101X	706101X	706101X
Differential Bearing Adj. Shim (16, 22)	—	706618X	706618X	706618X	706618X	706618X
Differential Bearing	21	706032X	706032X	706032X	706032X	706032X
Steering Knuckle Assembly - RH (inc. items 32, 33, 34, 36, 41)	—	34564	34564	33839	— ⁽³⁾	35561
Steering Knuckle Assembly - LH	N.I.	34565	34565	33840	— ⁽³⁾	32462
Socket Assy (32,33,34,35,36,41)		30354	30354	33774	—	706116X
Upper		—	—	—	35184	—
Lower		—	—	—	35183	—
Steering Arm	N.I.	25349X	25349X	—	— ⁽³⁾	35166
Wheel Spindle Seal & Bearing (inc. items 47, 48, 48A, 49)		—	—	—	—	—
Wheel Bearing Spindle (inc. items 47, 48, 48A, 49, 50 or 74)		22137X	21831X	706298X	21831X	706298X
Inner Wheel Bearing	54/76	706110X	—	706110X	—	706110X
Cup		—	550289	—	550289	—
Cone		—	550403	—	550403	—
Outer Wheel Bearing	56/74	706111X	706111X	706111X	706111X	706111X
		603036	603060	603061	603062 603101	603100
Inner Pinion Bearing Kit	4	706031X	706031X	706031X	706031X	706031X
Pinion & Bearing Adjusting Shim (inc. items 5, 7, 12, 13, 16)	—	706617X	706617X	706617X	706617X	706617X
Differential & Pinion Shim (inc. items 5, 7, 12, 13, 16, 22)	—	706619X	706619X	706619X	706619X	706619X
Outer Pinion Bearing	8	706030X	706030X	706030X	706030X	706030X
Carrier Cover (inc. 15, 16, 17, 18)	—	706112X	706101X	706101X	706101X	706101X
Differential Bearing Adj. Shim (16, 22)	—	706618X	706618X	706618X	706618X	706618X
Differential Bearing	21	706032X	706032X	706032X	706032X	706032X
Steering Knuckle Assembly - RH (inc. items 32, 33, 34, 36, 41)	—	— ⁽³⁾	35221	35221	— ⁽³⁾	35221
Steering Knuckle Assembly - LH	N.I.	— ⁽³⁾	35222	35222	— ⁽³⁾	35222
Socket Assembly (32,33,34,35,36,41)		706116X	30354	30354	—	30354
Upper		—	—	—	35184	—
Lower		—	—	—	35183	—
Steering Arm	N.I.	706144X	26507X	26507X	26539X	26507X
Wheel Spindle Seal & Bearing (inc. items 47, 48, 48A, 49)		706282X	—	—	—	—
Wheel Bearing Spindle (inc. items 47, 48, 48A, 49, 50 or 74)		35164	22137X	21831X	21831X	21831X
Inner Wheel Bearing	54/76	706139X	706110X	—	—	—
Cup		—	—	550289	550289	550289
Cone		—	—	550403	550403	550403
Outer Wheel Bearing	56/74	706111X	706111X	706111X	706111X	706111X

(3) Contact Vehicle Manufacturer

GMC / Chevrolet Model 44 Front Axles

Axle Kits - Use with All Applications

Description & Item Number (Refer to "Exploded View" at the front of this section)		Bills of Material				
		603170	603348 603351	603349 603352	603374 603454	603375 603455
Inner Pinion Bearing Kit	4	706031X	706031X	706031X	706031X	706031X
Pinion & Bearing Adjusting Shim (inc. items 5, 7, 12, 13, 16)	—	706617X	706617X	706617X	706617X	706617X
Differential & Pinion Shim (inc. items 5, 7, 12, 13, 16, 22)	—	706619X	706619X	706619X	706619X	706619X
Outer Pinion Bearing	8	706030X	706030X	706030X	706030X	706030X
Carrier Cover (inc. 15, 16, 17, 18)	—	706112X	706112X	706112X	706112X	706112X
Differential Bearing Adj. Shim (16, 22)	—	706618X	706618X	706618X	706618X	706618X
Differential Bearing	21	706032X	706032X	706032X	706032X	706032X
Steering Knuckle Assembly - RH (inc. items 32, 33, 34, 36, 41)	—	— ⁽³⁾	— ⁽³⁾	28130X	706134X	706134X
Steering Knuckle Assembly - LH	N.I.	— ⁽³⁾	— ⁽³⁾	28131X	706135X	706135X
Socket Assembly (32,33,34,35,36,41)		706116X	706116X	706116X	706116X	706116X
Upper		—	—	—	—	—
Lower		—	—	—	—	—
Steering Arm	N.I.	706144X	706144X	706144X	706144X	706144X
Wheel Spindle Seal & Bearing (inc. items 47, 48, 48A, 49)		—	706282X	706282X	706527X	706527X
Wheel Bearing Spindle (inc. items 47, 48, 48A, 49, 50 or 74)		706298X	27810X	27811X	706528X	706529X
Inner Wheel Bearing	54/76	706110X	706110X	706139X	706110X	706139X
Cup		—	—	—	—	—
Cone		—	—	—	—	—
Outer Wheel Bearing	56/74	706111X	706111X	706111X	706111X	706111X
		603675	603676	603706	603707	603792 603793 610036 610037
Inner Pinion Bearing Kit	4	706031X	706031X	706031X	706031X	706031X
Pinion & Bearing Adjusting Shim (inc. items 5, 7, 12, 13, 16)	—	706617X	706617X	706617X	706617X	706617X
Differential & Pinion Shim (inc. items 5, 7, 12, 13, 16, 22)	—	706619X	706619X	706619X	706619X	706619X
Outer Pinion Bearing	8	706030X	706030X	706030X	706030X	706030X
Carrier Cover (inc. 15, 16, 17, 18)	—	706112X	706112X	706112X	706112X	706112X
Differential Bearing Adj. Shim (16, 22)	—	706618X	706618X	706618X	706618X	706618X
Differential Bearing	21	706032X	706032X	706032X	706032X	706032X
Steering Knuckle Assembly - RH (inc. items 32, 33, 34, 36, 41)	—	706543X	706543X	706483X	706483X	706543X
Steering Knuckle Assembly - LH	N.I.	706522X	706522X	706484X	706484X	706522X
Socket Assembly (32,33,34,35,36,41)		706116X	706116X	706116X	706116X	706116X
Upper		—	—	—	—	—
Lower		—	—	—	—	—
Steering Arm	N.I.	706144X	706144X	706144X	706144X	706144X
Wheel Spindle Seal & Bearing (inc. items 47, 48, 48A, 49)		706527X	706527X	706527X	706527X	706527X
Wheel Bearing Spindle (inc. items 47, 48, 48A, 49, 50 or 74)		706528X	706529X	706528X	706529X	706570X
Inner Wheel Bearing	54/76	706110X	706110X	706110X	706139X	706074X
Cup		—	—	—	—	—
Cone		—	—	—	—	—
Outer Wheel Bearing	56/74	706111X	706111X	706111X	706111X	706111X

(3) Contact Vehicle Manufacturer

GMC / Chevrolet Model 44 Front Axles

Miscellaneous Small Parts- Use with All Applications

Description & Item Number (Refer to "Exploded View" at the front of this section)		Bills of Material				
		602877	602878 603004	602899	602955 603001 603060	603005
Seal & Guide Tube	31	—	—	—	—	—
Seal	—	32542-1	32542-1	32542-1	32542-1	32542-1
Guide	—	30703	30703	30703	30703	30703
Stop Screw	39	31026-1	31026-1	31026-1	31026-1	30902
Jam Nut	40	500381-3	500381-3	500381-3	500381-3	500381-3
Oil Seal	47	—	—	— ⁽³⁾	—	—
Spacer - Wheel Bearing Spindle	48	—	—	35986	—	—
Oil Seal - Block Vee	49	—	—	—	—	—
Needle Bearing Assembly	50	30339	30339	30339	30339	30339
Nut - Brake Mounting	52	30688	30688	30688	30688	30688
Oil Seal	53	—	36369	—	—	36369
Wheel Hub	55	—	— ⁽³⁾	—	—	— ⁽³⁾
Gasket-Drive Flange	60	—	30344	—	—	30344
Flange-Axle Drive	61	—	30340	—	—	30340
Snap Ring	62	31624	31624	31624	31624	31624
Hub Cap	63	—	32001	—	—	32001
Nut	64	—	500371-3	—	—	500371-3
Lockwasher	65	—	501209-3	—	—	501209-3
Stud	66	—	31017	—	—	31017
Hub Cap	67	31152	—	31152	31152	—
Axle Drive Gear	68	31125	—	31125	31125	—
Pressure Spring	69	35218	—	—	35218	—
Plate-Spring Retaining	70	32589	—	26124X ⁽⁹⁾	32589	—
Wheel Bearing Adjusting Nut	71	31139	31139	31139	31139	31139
Retaining Lock Nut	72	36569	36569	36569	36569	36569
Nut & Pin Assembly-Inner Lock	73	21588X	21588X	21588X	21588X	21588X
Wheel Hub	75	— ⁽³⁾	—	— ⁽³⁾	— ⁽³⁾	—
Oil Seal	77	34611	—	34611	34611	—
Hub Lock Assembly	N.I.	22429X	22435X	23345X	26133-3X	22435X

(3) Contact Vehicle Manufacturer

(9) Includes Pressure Spring

GMC / Chevrolet Model 44 Front Axles

Miscellaneous Small Parts- Use with All Applications

Description & Item Number (Refer to "Exploded View" at the front of this section)		Bills of Material				
		603035 603170	603036	603061 603100	603062 603101	603348 603351
Seal & Guide Tube	31	—	620216	—	—	36352
Seal	—	32542-1	—	32542-1	32542-1	—
Guide	—	30703	—	30703	30703	—
Stop Screw	39	31026-1	31026-1	31026-1	30902	31026-1
Jam Nut	40	500381-3	500381-3	500381-3	500381-3	500381-3
Oil Seal	47	34783	34783	—	—	34783
Spacer - Wheel Bearing Spindle	48	35986	35986	—	—	35986
Oil Seal - Block Vee	49	—	—	—	—	—
Needle Bearing Assembly	50	550759	550759	30339	30339	550759
Nut - Brake Mounting	52	— ⁽³⁾	— ⁽³⁾	30688	30688	— ⁽³⁾
Oil Seal	53	—	36369	36369	36369	—
Wheel Hub	55	—	— ⁽³⁾	— ⁽³⁾	— ⁽³⁾	—
Gasket-Drive Flange	60	—	30344	30344	30344	—
Flange-Axle Drive	61	—	30340	30340	30340	—
Snap Ring	62	31624	31624	31624	31624	31624
Hub Cap	63	—	32001	32001	32001	—
Nut	64	—	500371-3	500371-3	500371-3	—
Lockwasher	65	—	501209-3	501209-3	501209-3	—
Stud	66	—	31017	31017	31017	—
Hub Cap	67	31152	—	—	—	31152
Axle Drive Gear	68	31125	—	—	—	31125
Pressure Spring	69	35218	—	—	—	35218
Plate-Spring Retaining	70	32589	—	—	—	32589
Wheel Bearing Adjusting Nut	71	31139	31139	31139	31139	31139
Retaining Lock Nut	72	36569	36569	36569	36569	36569
Nut & Pin Assembly-Inner Lock	73	21588X	21588X	21588X	21588X	21588X
Wheel Hub	75	— ⁽³⁾	—	—	—	— ⁽³⁾
Oil Seal	77	34611	—	—	—	34611
Hub Lock Assembly	N.I.	26133-3X	27369-3X	27369-3X	27369-3X	26133-3X

(3) Contact Vehicle Manufacturer

GMC / Chevrolet Model 44 Front Axles

Miscellaneous Small Parts- Use with All Applications

Description & Item Number (Refer to "Exploded View" at the front of this section)		Bills of Material				
		603349 603352	603374	603375 603455	603454 603706	603675
Seal & Guide Tube	31	36352	36352	36352	36352	36352
Seal	—	—	—	—	—	—
Guide	—	—	—	—	—	—
Stop Screw	39	31026-1	31026-1	31026-1	31026-1	31026-1
Jam Nut	40	500381-3	500381-3	500381-3	500381-3	500381-3
Oil Seal	47	34783	38128	38128	38128	38128
Spacer - Wheel Bearing Spindle	48	35986	38106	38106	38106	38106
Oil Seal - Block Vee	49	—	—	36361	36361	36361
Needle Bearing Assembly	50	550759	550759	550759	550759	550759
Nut - Brake Mounting	52	— ⁽³⁾	35704	35704	35704	35704
Oil Seal	53	36369	—	36369	—	—
Wheel Hub	55	— ⁽³⁾	—	— ⁽³⁾	—	—
Gasket-Drive Flange	60	30344	—	30344	—	—
Flange-Axle Drive	61	30340	—	30340	—	—
Snap Ring	62	31624	31624	31624	31624	31624
Hub Cap	63	32001	—	32001	—	—
Nut	64	500371-3	—	500371-3	500371-3	—
Lockwasher	65	501209-3	—	501209-3	501209-3	—
Stud	66	31017	—	31017	31017	—
Hub Cap	67	—	36858	—	36858	36858
Axle Drive Gear	68	—	31125	—	31125	31125
Pressure Spring	69	—	35218	—	35218	35218
Plate-Spring Retaining	70	—	32589	—	32589	32589
Wheel Bearing Adjusting Nut	71	31139	31139	31139	31139	31139
Retaining Lock Nut	72	36569	36569	36569	36569	36569
Nut & Pin Assembly-Inner Lock	73	21588X	21588X	21588X	21588X	21588X
Wheel Hub	75	—	— ⁽³⁾	—	— ⁽³⁾	— ⁽³⁾
Oil Seal	77	—	36366	—	36366	36366
Hub Lock Assembly	N.I.	27369-3X	26133-3X	27369-3X	26133-3X	26133-3X

(3) Contact Vehicle Manufacturer

GMC / Chevrolet Model 44 Front Axles

Miscellaneous Small Parts- Use with All Applications

Description & Item Number (Refer to "Exploded View" at the front of this section)		Bills of Material			
		603676	603707	603792 603793	610036 610037
Seal & Guide Tube	31	620216	36352	620216	620216
Seal	—	—	—	32542-1	32542-1
Guide	—	—	—	30703	30703
Stop Screw	39	31026-1	31026-1	31026-1	31026-1
Jam Nut	40	500381-3	500381-3	500381-3	500381-3
Oil Seal	47	38128	38128	38128	38128
Spacer - Wheel Bearing Spindle	48	38106	38106	38106	38106
Oil Seal - Block Vee	49	36361	36361	36361	36361
Needle Bearing Assembly	50	550759	550759	550759	550759
Nut - Brake Mounting	52	35704	35704	35704	35704
Oil Seal	53	36369	30348	—	—
Wheel Hub	55	— ⁽³⁾	— ⁽³⁾	—	—
Gasket-Drive Flange	60	35419	35419	—	—
Flange-Axle Drive	61	30340	30340	—	—
Snap Ring	62	31624	31624	31624	31624
Hub Cap	63	32001	32001	—	—
Nut	64	38107	38107	—	—
Lockwasher	65	—	—	—	—
Stud	66	—	—	—	—
Hub Cap	67	—	—	36858	36858
Axle Drive Gear	68	—	—	620138	620138
Pressure Spring	69	—	—	35218	35218
Plate-Spring Retaining	70	—	—	32589	32589
Wheel Bearing Adjusting Nut	71	31139	31139	31139	31139
Retaining Lock Nut	72	36569	36569	36569	36569
Nut & Pin Assembly-Inner Lock	73	21588X	21588X	21588X	21588X
Wheel Hub	75	—	—	— ⁽³⁾	— ⁽³⁾
Oil Seal	77	—	—	36366	36366
Hub Lock Assembly	N.I.	27369-3X	27369-3X	26133-3X	26133-3X

(3) Contact Vehicle Manufacturer

GMC / Chevrolet Model 44 Front Axles Kit Components

ITEM NO.	DESCRIPTION	ITEM NO.	DESCRIPTION	ITEM NO.	DESCRIPTION
Drive Pinion & Gear Assembly		Differential Case Assembly (Trac-Lok)		Differential Parts (Powr-Lok)	
2	Drive Pinion & Gear Assembly	16	Carrier Cover Gasket / Sealant	16	Carrier Cover Gasket / Sealant
3	Slinger – Inner Pinion Bearing	21	KIT – Differential Bearing	90	Shaft – Differential
4	KIT – Inner Pinion Bearing	22	Shim – Differential Bearing	91	Pinion – Differential
5	Inner Pinion Shims	24	Bolt – Drive Gear	92	Gear – Differential
6	Baffle – Pinion Bearing	25	Pinion – Differential	93	Ring – Differential Gear
7	Outer Pinion Shims	27	Thrustwasher – Diff. Pinion	94	Plate – Differential
8	KIT – Outer Pinion Bearing	79	Case – Differential	95	Disc – Differential
9	Slinger – Outer Pinion Bearing	80	Gear – Differential	96	Disc – Differential (dished)
10	Seal – Pinion Oil	81	Shaft – Differential	97	Plate – Differential (dished)
12	Washer – Pinion Nut	82	Snap Ring		
13	Pinion Nut	83	Spacer – Diff. Gear (dished)	Differential Parts (Trac-Lok)	
16	Carrier Cover Gasket / Sealant	84	Plate – Differential	16	Carrier Cover Gasket / Sealant
22	Shim – Differential Bearing	85	Disc – Differential	24	Bolt – Drive Gear
24	Bolt – Drive Gear	86	Plate – Differential	25	Pinion – Differential
		87	Clip – Diff. Clutch Retainer	27	Thrustwasher – Diff. Pinion
Differential Case Assembly (standard)		Differential Case (standard)		80	Gear – Differential
16	Carrier Cover Gasket / Sealant	16	Carrier Cover Gasket / Sealant	81	Shaft – Differential
21	KIT – Differential Bearing	22	Shim – Differential Bearing	82	Snap Ring
22	Shim – Differential Bearing	22	Shim – Differential Bearing	83	Spacer – Diff. Gear (dished)
23	Case – Differential	23	Case – Differential	84	Plate – Differential
24	Bolt – Drive Gear	24	Bolt – Drive Gear	85	Disc – Differential
25	Pinion – Differential	30	Lock – Differential Shaft	86	Plate – Differential
26	Gear – Differential			87	Clip – Diff. Clutch Retainer
27	Thrustwasher – Diff. Pinion	Differential Case (Powr-Lok)			
28	Thrustwasher – Diff. Gear	16	Carrier Cover Gasket / Sealant		
29	Shaft – Differential Pinion	22	Shim – Differential Bearing		
30	Lock – Differential Shaft	24	Bolt – Drive Gear		
		88	Flange Half – Differential Case		
Differential Case Assembly (Powr-Lok)		89	Cap Half – Differential Case		
16	Carrier Cover Gasket / Sealant	98	Bolt – Differential Case		
21	KIT – Differential Bearing				
22	Shim – Differential Bearing	Differential Case (Trac-Lok)			
24	Bolt – Drive Gear	16	Carrier Cover Gasket / Sealant		
88	Flange Half – Differential Case	22	Shim – Differential Bearing		
89	Cap Half – Differential Case	24	Bolt – Drive Gear		
90	Shaft – Differential	79	Case – Differential		
91	Pinion – Differential	82	Snap Ring		
92	Gear – Differential	Differential Parts (standard)			
93	Ring – Differential Gear	16	Carrier Cover Gasket / Sealant		
94	Plate – Differential	24	Bolt – Drive Gear		
95	Disc – Differential	25	Pinion – Differential		
96	Disc – Differential (dished)	26	Gear – Differential		
97	Plate – Differential (dished)	27	Thrustwasher – Diff. Pinion		
98	Bolt – Differential Case	28	Thrustwasher – Diff. Gear		
		29	Shaft – Differential Pinion		
		30	Lock – Differential Shaft		

When replacing Carrier Cover Gasket, replace with same type originally used. RTV tube gasket recommended for use on flat flange type cover. Paper or cork gasket recommended for use on ribbed flange cover.

GMC / Chevrolet 1967-1968

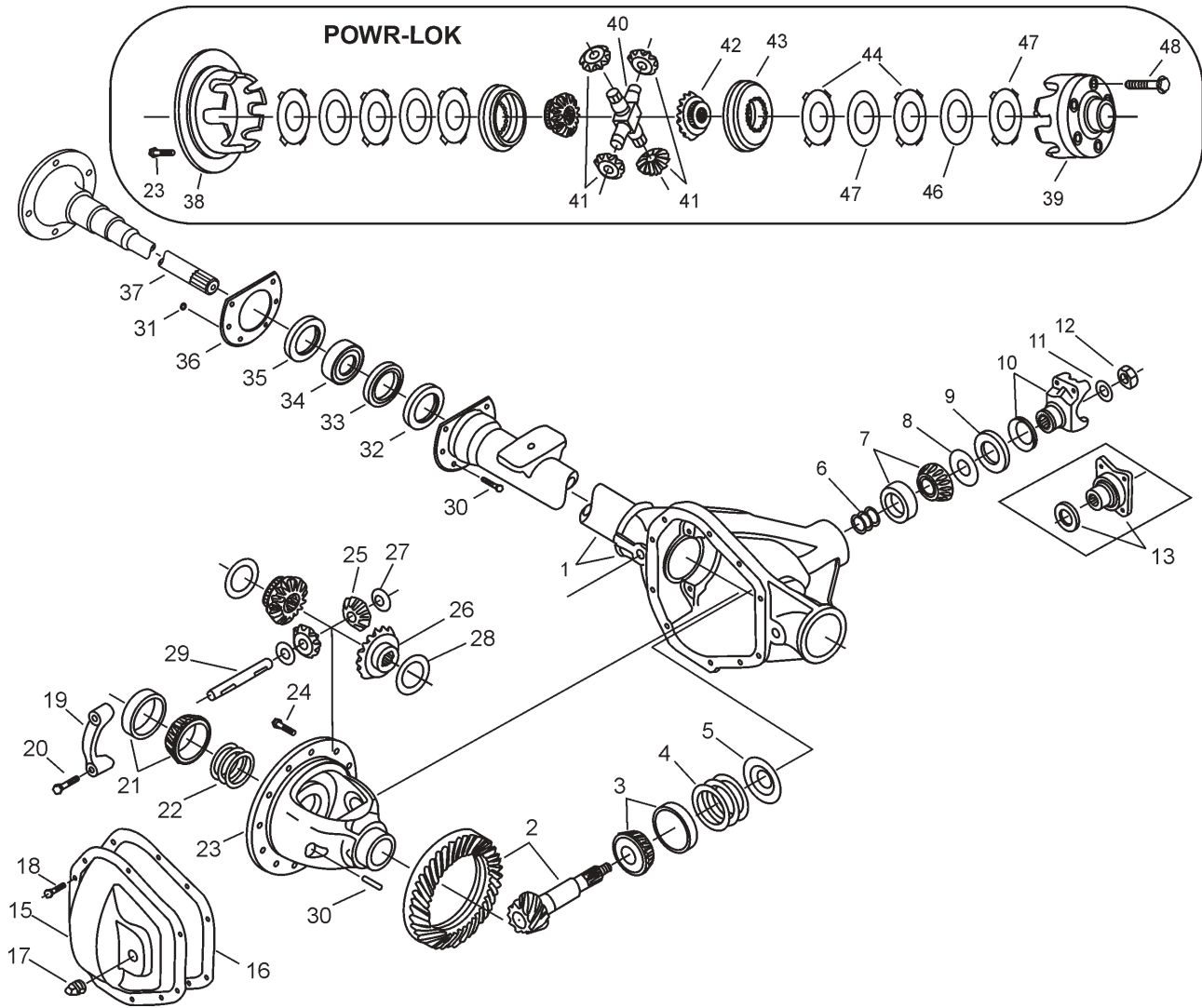
Model 44 Rear Axles for

**C10, I1000 1/2 Ton Pick-up & Station
Wagon on Truck Chassis**

**C15 1/2 Ton Pick-up & Station
Wagon on Truck Chassis**

**K15 1/2 Ton Pick-up & Station
Wagon on Truck Chassis**

GMC / Chevrolet Model 44 Rear Axles Exploded View



GMC / Chevrolet Model 44 Rear Axles

Parts Listing

ITEM NO.	PART IDENTIFICATION	ITEM NO.	PART IDENTIFICATION	ITEM NO.	PART IDENTIFICATION
1 ⁽¹⁾	Housing – Axle Service	20	KIT – Differential Bearing		Power-Lok & Trak-Lok Differential
2	Drive Pinion & Gear Assembly	21	PKG – Diff Bearing Shim (inc 15)		
3	KIT – Inner Pinion Bearing	22	Case – Differential	38	Flange Half – Differential Case
4	Inner Pinion Bearing Shims	23	Bolt – Drive Gear (qty 10)	39	Cap Half – Differential Case
5	Baffle – Pinion Bearing	24	Pinion – Differential	40	Shaft – Differential
6	Outer Pinion Bearing Shims	25	Gear – Differential	41	Pinion – Differential
7	KIT – Outer Pinion Bearing	26	Thrustwasher – Diff Pinion	42	Gear – Differential
8	Slinger – Outer Pinion Bearing	27	Thrustwasher – Diff Gear	43	Ring – Differential Gear
9	Seal – Pinion Oil	28	Shaft – Differential	44	Plate – Differential
10 ⁽²⁾	End Yoke or Assembly (inc 10A)	29	Lock – Differential Shaft	45	Disc – Differential
11	Washer – Pinion Nut	30	Bolt – Brake Mounting	46	Disc – Differential (dished)
12	Pinion Nut	31	Nut – Brake Mounting	47	Plate – Differential (dished)
13 ⁽²⁾	Companion Flange Assembly	32	Seal – Inboard Shaft	48	Bolt – Differential Case
14	Carrier Cover	33	Retainer Ring – Wheel Bearing		
15	Gasket – Carrier Cover	34	Wheel Bearing Assembly		
16	Plug – Carrier Cover	35	Seal – Outboard Shaft		
17	Bolt – Carrier Cover (qty 10)	36 ⁽¹⁾	Retainer – Oil Seal		
18 ⁽¹⁾	Cap – Differential Bearing	37	Axle Shaft Assembly		
19 ⁽¹⁾	Bolt – Differential Bearing Cap				

(1) Contact Vehicle Manufacturer

(2) See Spicer Driveline Catalog J300P Section 10

Check availability on all Powr-Lok parts before ordering

Miscellaneous Small Parts

VEHICLE MODEL & BILL OF MATERIAL BASE NUMBER	BRAKE MOUNTING		Inboard Shaft Seal (item 32)	Wheel Bearing Retainer Ring (item 33)	Wheel Bearing Assembly (item 34)	Outboard Shaft Seal (item 35)
	Bolt (item 30)	Nut (item 31)				
Axle B.M. 602925, 602988 603039	30175	30137	34419	35827	550317	—

Common Axle Kits - Use with All Applications

ITEM NO.	DESCRIPTION	KIT PART NUMBER	ITEM NO.	DESCRIPTION	KIT PART NUMBER
Carrier Cover		706101X	Pinion & Bearing Adjusting Shim		706617X
14	Carrier Cover		4	Shim – Drive Pinion Adjusting	
15	Carrier Cover Gasket / Sealant		6	Shim – Pinion Bearing Adjusting	
16	Carrier Cover Plug		12	Pinion Nut	
17	Carrier Cover Bolt		15	Carrier Cover Gasket / Sealant	
Inner Pinion Bearing		706031X	Differential Bearing Adjusting Shim		706618X
3	KIT – Inner Pinion Bearing		15	Carrier Cover Gasket / Sealant	
Outer Pinion Bearing		706030X	21	Shim – Differential Bearing	
7	KIT – Outer Pinion Bearing		Differential & Pinion Shim		706619X
Outer Pinion Bearing		706032X	4	Shim – Drive Pinion Adjusting	
20	KIT – Differential Bearing		6	Shim – Pinion Bearing Adjusting	
			11	Washer – Pinion Nut	
			12	Pinion Nut	
			15	Carrier Cover Gasket / Sealant	
			21	Shim – Differential Bearing	

When replacing Carrier Cover Gasket, replace with same type originally used. RTV tube gasket recommended for use on flat flange type cover. Paper or cork gasket recommended for use on ribbed flange cover.

(9) On Bills of Material 603830 use Kit Number 706620X; On Bills of Material 603869 & 603903 use Kit Number 706700X

GMC / Chevrolet Model 44 Rear Axles

Bill of Material Table

Axle			Axle Kits				Shaft & Joint Assy.	
Bill of Material	Diff. Type	Ratio	Ring Gear & Pinion Kit ⁽⁷⁾	Differential			Right Hand Shaft Assy.	Left Hand Shaft Assy.
				Case Assy. Kit ⁽⁸⁾	Case Kit	Inner Parts Kit		
1967-68 C10, I1000 1/2 Ton Pick-up & Station Wagon on Truck Chassis								
602925-13	Standard	3.07	706613-2X	706614X	706615X	706616X	N.L.A.	N.L.A.
602925-14	Power-Lok	3.07	706613-2X	23686X	23435X	— ⁽⁹⁾	N.L.A.	N.L.A.
602925-15	Standard	3.54	706613-4X	706614X	706615X	706616X	N.L.A.	N.L.A.
602925-16	Power-Lok	3.54	706613-3X	23686X	23435X	— ⁽⁹⁾	N.L.A.	N.L.A.
602925-17	Standard	3.92	706613-14X	706695X	706696X	706616X	N.L.A.	N.L.A.
602925-18	Power-Lok	3.92	706613-14X	23687X	23436X	— ⁽⁹⁾	N.L.A.	N.L.A.
602925-20	Standard	3.73	706613-6X	706614X	706615X	706616X	N.L.A.	N.L.A.
602925-21	Power-Lok	3.73	706613-6X	23686X	23435X	— ⁽⁹⁾	N.L.A.	N.L.A.
602925-22	Standard	4.09	706613-5X	706695X	706696X	706616X	N.L.A.	N.L.A.
602925-23	Power-Lok	4.09	706613-5X	23687X	23436X	— ⁽⁹⁾	N.L.A.	N.L.A.
1968 C15 1/2 Ton Pick-up & Station Wagon on Truck Chassis								
603039-1	Standard	3.07	706613-2X	26412X	35177	— ⁽⁹⁾	N.L.A.	N.L.A.
603039-2	Power-Lok	3.07	706613-2X	26415X	26416X	— ⁽⁹⁾	N.L.A.	N.L.A.
603039-3	Standard	3.07	706613-2X	26412X	35177	— ⁽⁹⁾	N.L.A.	N.L.A.
603039-4	Power-Lok	3.07	706613-2X	26415X	26416X	— ⁽⁹⁾	N.L.A.	N.L.A.
1968 K15 1/2 Ton Pick-up & Station Wagon on Truck Chassis								
602988-1	Standard	3.54	706613-4X	706614X	706615X	706616X	N.L.A.	N.L.A.
602988-2	Power-Lok	3.54	706613-4X	23686X	23435X	— ⁽⁹⁾	N.L.A.	N.L.A.

N.L.A. - Tapered axle shafts No Longer Available

(7) See Ring Gear & Pinion Kits in XGI Catalog for ratio & tooth combinations.

(8) See Differential Case Assy Kits in XGI Catalog for spline data & ratios.

(9) Use Internal Parts from Case Assembly

Kit Components

ITEM NO.	DESCRIPTION	ITEM NO.	DESCRIPTION	ITEM NO.	DESCRIPTION
Drive Pinion & Gear Assembly		Differential Case Assembly (Powr-Lok)		Differential Case (Powr-Lok)	
2	Drive Pinion & Gear Assembly	15	Carrier Cover Gasket / Sealant	15	Carrier Cover Gasket / Sealant
3	KIT – Inner Pinion Bearing	20	KIT – Differential Bearing	21	Shim – Differential Bearing
4	Inner Pinion Shims	21	Shim – Differential Bearing	23	Bolt – Drive Gear
5	Baffle – Pinion Bearing	23	Bolt – Drive Gear	38	Flange Half – Differential Case
6	Outer Pinion Shims	38	Flange Half – Differential Case	39	Cap Half – Differential Case
7	KIT – Outer Pinion Bearing	39	Cap Half – Differential Case	48	Bolt – Differential Case
8	Slinger – Outer Pinion Bearing	40	Shaft – Differential	Differential Parts (standard)	
9	Seal – Pinion Oil	41	Pinion – Differential	15	Carrier Cover Gasket / Sealant
11	Washer – Pinion Nut	42	Gear – Differential	23	Bolt – Drive Gear
12	Pinion Nut	43	Ring – Differential Gear	24	Pinion – Differential
15	Carrier Cover Gasket / Sealant	44	Plate – Differential	25	Gear – Differential
21	Shim – Differential Bearing	45	Disc – Differential	26	Thrustwasher – Diff. Pinion
23	Bolt – Drive Gear	46	Disc – Differential (dished)	27	Thrustwasher – Diff. Gear
Differential Case Assembly (standard)		47	Plate – Differential (dished)	28	Shaft – Differential Pinion
15	Carrier Cover Gasket / Sealant	48	Bolt – Differential Case	29	Lock – Differential Shaft
20	KIT – Differential Bearing	Differential Case (standard)		Differential Parts (Powr-Lok)	
21	Shim – Differential Bearing	15	Carrier Cover Gasket / Sealant	15	Carrier Cover Gasket / Sealant
22	Case – Differential	21	Shim – Differential Bearing	40	Shaft – Differential
23	Bolt – Drive Gear	22	Case – Differential	41	Pinion – Differential
24	Pinion – Differential	23	Bolt – Drive Gear	42	Gear – Differential
25	Gear – Differential	29	Lock – Differential Shaft	43	Ring – Differential Gear
26	Thrustwasher – Diff. Pinion				
27	Thrustwasher – Diff. Gear				
28	Shaft – Differential Pinion				
29	Lock – Differential Shaft				

When replacing Carrier Cover Gasket, replace with same type originally used. RTV tube gasket recommended for use on flat flange type cover. Paper or cork gasket recommended for use on ribbed flange cover.

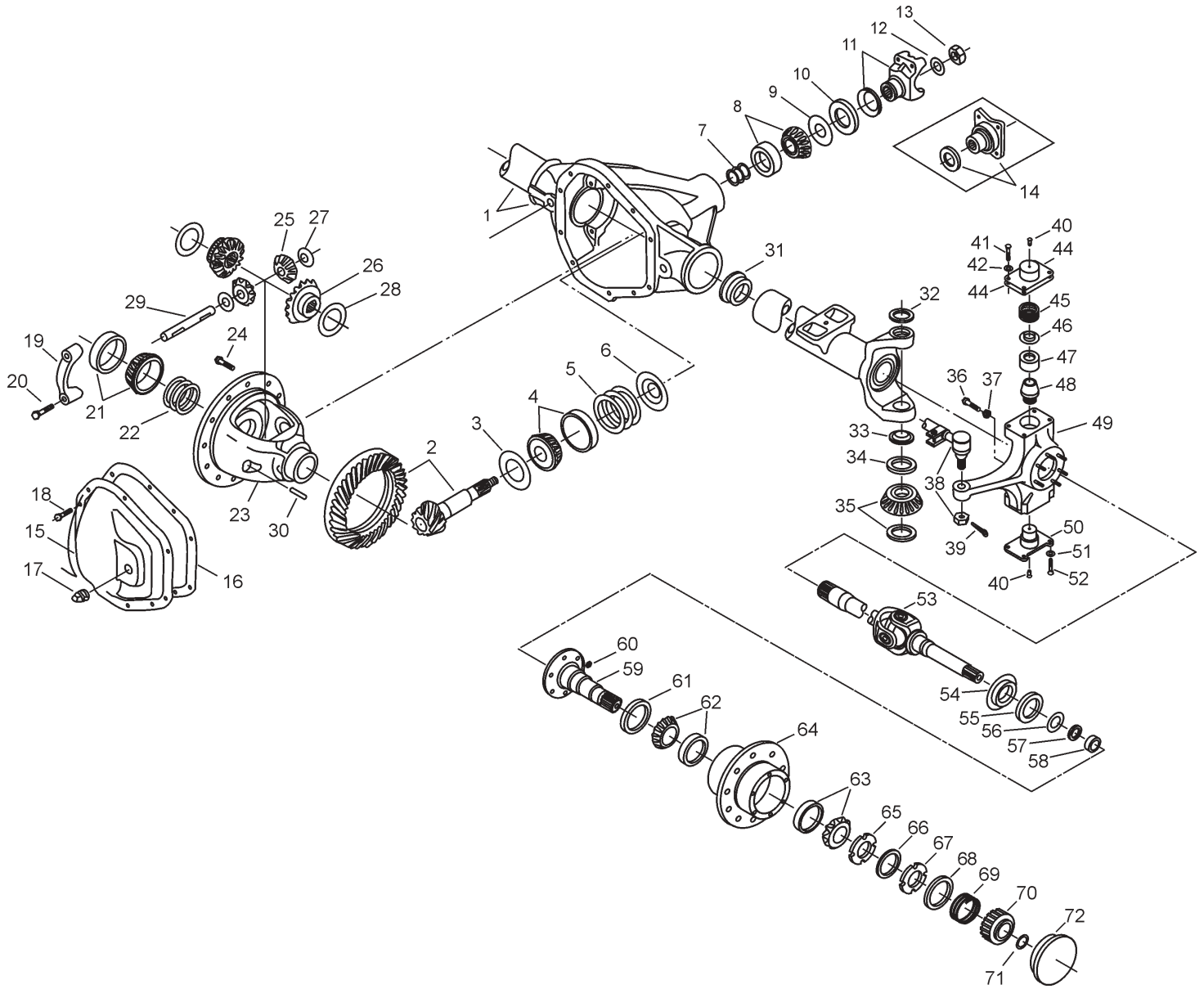
GMC / Chevrolet 1977-1978

Model 60 Front Axles for

K-30 1 Ton Pick-up

GMC / Chevrolet Model 60 Front Axles

Exploded View



GMC / Chevrolet Model 60 Front Axles

Parts Listing

ITEM NO.	PART IDENTIFICATION	ITEM NO.	PART IDENTIFICATION	ITEM NO.	PART IDENTIFICATION
1 ⁽¹⁾	Housing – Axle Service	26	Gear – Differential	50	Lower King Pin Bearing Cap
2	Drive Pinion & Gear Assembly	27	Thrustwasher – Diff. Pinion	51	Lockwasher – Lower King Pin Cap
3	Slinger – Inner Pinion Bearing	28	Thrustwasher – Diff. Gear	52	Hex Bolt – Lower King Pin Cap
4	KIT – Inner Pinion Bearing	29	Shaft – Differential Pinion	53	Shaft & Joint Assembly
5	Inner Pinion Shim	30	Lock – Differential Shaft	54	Slinger – Spindle Yoke (pressed on axle shaft if used)
6	Baffle – Pinion Bearing	31	Seal & Guide Tube	55	Oil Seal
7	Outer Pinion Shims	32	Seal – Upper King Pin	56	Spacer – Wheel Bearing Spindle
8	KIT – Outer Pinion Bearing	33	Grease Retainer	57	Oil Seal - Block Vee
9	Slinger – Outer Pinion Bearing	34	Oil Seal	58	Needle Bearing Assembly
10	Seal – Pinion Oil	35	KIT – Lower King Pin Bearing	59	Wheel Bearing Spindle
11 ⁽²⁾	End Yoke Assembly	36	Stop Screw	60	Brake Mounting Nut
12	Washer – Pinion Nut	37	Jam Nut	61	Oil Seal
13	Pinion Nut	38 ⁽¹⁾	Tie Rod Assembly	62	KIT – Inner Wheel Bearing
14 ⁽²⁾	Companion Flange Assembly	39	Cotter Pin	63	KIT – Outer Wheel Bearing
15	Carrier Cover	40	Lube Fitting	64 ⁽¹⁾	Wheel Hub
16	Carrier Cover Gasket / Sealant	41	Nut – Hex Tapered	65	Inner Wheel Bearing Nut
17	Plug – Carrier Cover	42	Lockwasher – Upper King Pin Cap	66	Lock Nut
18	Bolt – Carrier Cover	43	Steering Arm (LH only) Upper King Pin Cap (RH only)	67	Outer Wheel Bearing Nut
19 ⁽¹⁾	Differential Bearing Cap	44	Gasket – King Pin Cap	68	Spring Retaining Plate
20 ⁽¹⁾	Bolt – Differential Bearing Cap	45	Compression Spring	69	Pressure Spring
21	KIT – Differential Bearing	46	Retainer Spring	70	Axle Drive Gear
22	Shim – Differential Bearing	47	King Pin Bushing	71	Snap Ring
23	Case – Differential	48	King Pin	72	Hub Cap
24	Bolt – Drive Gear	49	Knuckle Assembly		
25	Pinion – Differential				

- (1) See "Bill of Material Table" on next page
 (2) See "Variable Parts Table" within this section
 (3) Contact Vehicle Manufacturer
 (4) Not Sold Separately

Kit Components

ITEM NO.	DESCRIPTION	ITEM NO.	DESCRIPTION	ITEM NO.	DESCRIPTION
Drive Pinion & Gear Assembly		Differential Case Assembly (standard)		Differential Case (standard)	
2	Drive Pinion & Gear Assembly	16	Carrier Cover Gasket / Sealant	16	Carrier Cover Gasket / Sealant
3	Slinger – Inner Pinion Bearing	21	KIT – Differential Bearing	22	Shim – Differential Bearing
4	KIT – Inner Pinion Bearing	22	Shim – Differential Bearing	23	Case – Differential
5	Inner Pinion Shims	23	Case – Differential	24	Bolt – Drive Gear (qty 10)
6	Baffle – Pinion Bearing	24	Bolt – Drive Gear (qty 10)	30	Lock – Differential Shaft
7	Outer Pinion Shims	25	Pinion – Differential	Differential Parts (standard)	
8	KIT – Outer Pinion Bearing	26	Gear – Differential	16	Carrier Cover Gasket / Sealant
9	Slinger – Outer Pinion Bearing	27	Thrustwasher – Diff. Pinion	24	Bolt – Drive Gear (qty 10)
10	Seal – Pinion Oil	28	Thrustwasher – Diff. Gear	25	Pinion – Differential
12	Washer – Pinion Nut	29	Shaft – Differential Pinion	26	Gear – Differential
13	Pinion Nut	30	Lock – Differential Shaft	27	Thrustwasher – Diff. Pinion
16	Carrier Cover Gasket / Sealant			28	Thrustwasher – Diff. Gear
22	Shim – Differential Bearing			29	Shaft – Differential Pinion
24	Bolt – Drive Gear (qty 10)			30	Lock – Differential Shaft

When replacing Carrier Cover Gasket, replace with same type originally used. RTV tube gasket recommended for use on flat flange type cover. Paper or cork gasket recommended for use on ribbed flange cover.

GMC / Chevrolet Model 60 Front Axles

Bill of Material Table

Axle			Axle Kits				Shaft & Joint Assy.	
Bill of Material	Diff. Type	Ratio	Ring Gear & Pinion Kit ⁽⁷⁾	Differential			Right Hand Shaft Assy.	Left Hand Shaft Assy.
				Case Assy. Kit ⁽⁸⁾	Case Kit	Inner Parts Kit		
1977 K-30 1 Ton Pick-up								
603728-1	Standard	3.73	706660-2X	706180X	706668X	706181X	907967-5	907967-6
603728-2	Standard	4.10	706660-3X	706180X	706668X	706181X	907967-5	907967-6
603728-3	Standard	4.56	706660-4X	706182X	706669X	706181X	907967-5	907967-6
603728-4	Standard	3.73	706660-2X	706180X	706668X	706181X	907967-5	907967-6
603728-5	Standard	4.10	706660-3X	706180X	706668X	706181X	907967-5	907967-6
603728-6	Standard	4.56	706660-4X	706182X	706669X	706181X	907967-5	907967-6
1977 1/2-78 K-30 1 Ton Pick-up								
610033-2	Standard	4.10	706660-3X	706180X	706668X	706181X	907967-5	907967-6
610033-3	Standard	4.56	706660-4X	706182X	706669X	706181X	907967-5	907967-6
610033-5	Standard	4.10	706660-3X	706180X	706668X	706181X	907967-5	907967-6
610033-6	Standard	4.56	706660-4X	706182X	706669X	706181X	907967-5	907967-6

(7) See Ring Gear & Pinion Kits in XGI Catalog for ratio & tooth combinations.

(8) See Differential Case Assy Kits in XGI Catalog for spline data & ratios.

Axle Shaft Dimensions

Complete Assembly Number	Inner Shaft - Side Gear End			Outer Shaft - Spline End			Axle Shaft & Joint Assembly		
	Major Spline Diameter	Centerline to End of Spline	Yoke Shaft Part Number	Major Spline Diameter	Centerline to End of Spline	Yoke Shaft Part Number	Side	Overall Length	Cross & Bearing Kit
907967-5	1 1/2" -35	17 43/64"	3-82-801-5	1 5/16" -30	12"	3-82-791	Right	29 43/64"	5-332X
907967-6	1 1/2" -35	35 5/64"	3-82-801-6	1 5/16" -30	12"	3-82-791	Left	47 5/64"	5-332X

GMC / Chevrolet Model 60 Front Axles Kits & Parts — Use with All Applications

Description & Item Number (Refer to "Exploded View" at the front of this section)		Bills of Material			
		603728	610033		
Inner Pinion Bearing Kit	4	706046X	706046X		
Pinion & Bearing Adjusting Shim (inc. items 5, 7, 12, 13, 16)		706672X	706672X		
Differential & Pinion Shim (inc. items 5, 7, 12, 13, 16, 22)		706674X	706674X		
Outer Pinion Bearing	8	706045X	706045X		
Carrier Cover (inc. 15, 16, 17, 18)		706128X	706128X		
Differential Bearing Adj. Shim (16, 22)		706673X	706673X		
Differential Bearing	21	706047X	706047X		
Seal & Guide Tube	31	36487	36487		
Seal — Upper King Pin	32	620058	620058		
KIT — King Pin Parts (inc. 32,33,34,35)	N.I.	706395X	706395X		
Stop Screw	36	31026-1	31026-1		
Jam Nut	37	500381-3	500381-3		
Cotter Pin	39	500024-4	500024-4		
Lube Fitting	40	500175-4	500175-4		
Nut — Hex Tapered	41	30875	30875		
Steering Arm (LH only)	43	38139	38139		
Cap — Upper King Pin (RH only)	"	620132	620132		
Gasket — King Pin Cap	44	37307	37307		
Compression Spring	45	37300	37300		
Retainer Spring	46	—	620180		
Bushing — King Pin	47	37301	37301		
King Pin	48	—	37302		
Knuckle Assembly (RH only)	49	29729X	29729X		
Knuckle Assembly (LH only)	N.I.	29730X	29730X		
Cap — Lower King Pin (RH only)	50	37299	37299		
Lockwasher — Lower King Pin Cap	51	500357-13	500357-13		
Hex Bolt — Lower King Pin Cap	52	500412-12	500412-12		
KIT — Wheel Spindle Seal & Bearing (inc. items 55, 56, 57, 58)	N.I.	700014	700014		
KIT — Wheel Bearing Spindle (inc. items 57, 58, 59)	N.I.	700013	700013		
Nut — Brake Mounting	60	36880	36880		
Washer — Brake Mounting	N.I.	38081-1	38081-1		
Oil Seal	61	37729	37729		
Inner Wheel Bearing	62	706411X	706411X		
Outer Wheel Bearing	63	706074X	706074X		
Nut — Wheel Bearing Inner	65	33732	33732		
Washer — Wheel Bearing Inner	N.I.	33734	33734		
Retaining Lock Nut	66	33733	33733		
Nut — Wheel Bearing Outer	67	33732	33732		
Spring Retaining Plate / Spacer	68	37997	37997		
Axle Drive Gear	70	37994	37994		
Snap Ring	71	37730	37730		
Hub Cap	72	37996	37996		

GMC / Chevrolet 1968-1978

Model 60 Rear Axles for

C10 Station Wagon w/ Leaf Springs

C10 Truck Chassis w/ Coil Springs

C15

C20 Truck Chassis w/ Leaf Springs

C20 Truck Chassis w/ Coil Springs

C25 Truck Chassis w/ Standard Wheel Base

C25 Truck Chassis w/ Long Wheel Base

G300 Van w/ 125" & 146" Wheel Base

I1000

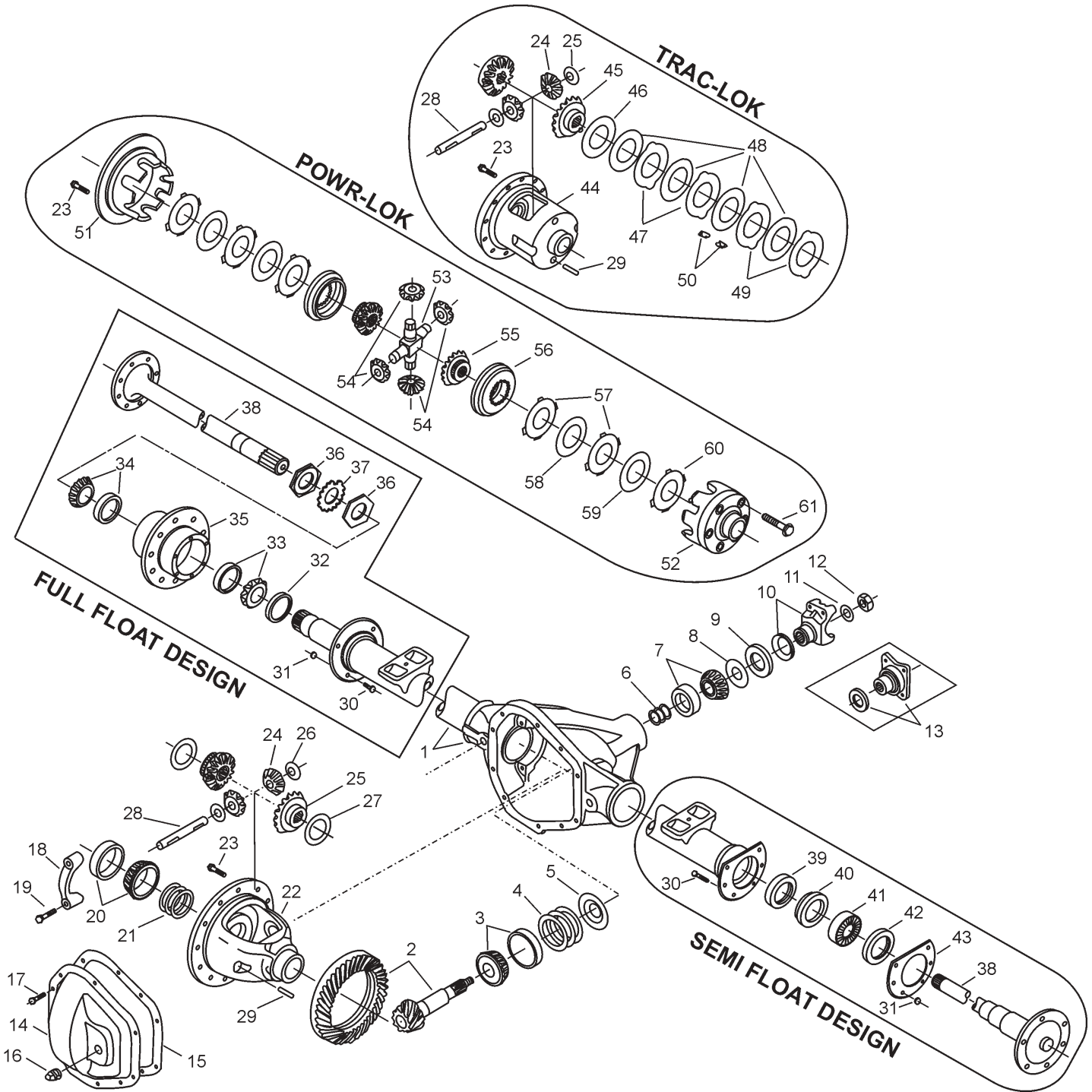
I1500 Station Wagon

K1500 Pick-up

K25 Truck Chassis

GMC / Chevrolet Model 60 Rear Axles

Exploded View



GMC / Chevrolet Model 60 Rear Axles

Parts Listing

ITEM NO.	PART IDENTIFICATION	ITEM NO.	PART IDENTIFICATION	ITEM NO.	PART IDENTIFICATION
1 ⁽¹⁾	Housing – Axle Service	23	Bolt – Drive Gear		Power-Lok & Trak-Lok Differential
2	Drive Pinion & Gear Assembly	24	Pinion – Differential		
3	KIT – Inner Pinion Bearing	25	Gear – Differential	44	Case – Differential
4	Shim – Drive Pinion	26	Thrustwasher – Diff. Pinion	45	Gear – Differential
5	Baffle – Pinion Bearing	27	Thrustwasher – Differential Gear	46	Spacer – Diff. Gear (dished)
6	Shim – Pinion Bearing	28	Shaft – Differential Pinion	47	Plate – Differential
7	KIT – Outer Pinion Bearing	29	Lock – Differential Shaft	48	Disc – Differential
8	Slinger – Outer Pinion Bearing	30	Brake Mounting Bolt	49	Plate – Diff. (selective thick.)
9	Seal – Pinion Oil	31	Brake Mounting Nut	50	Clip – Differential Clutch Retainer
10 ⁽²⁾	End Yoke Assembly	32	Hub Seal	51	Flange Half - Differential Case
11	Washer – Pinion Nut	33	KIT – Inner Wheel Bearing	52	Cap Half – Differential Case
12	Pinion Nut	34	KIT – Outer Wheel Bearing	53	Shaft – Differential
13 ⁽²⁾	Companion Flange Assembly	35 ⁽²⁾	Wheel Hub	54	Pinion – Differential
14	Carrier Cover	36	Spindle Nut	55	Gear – Differential
15	Carrier Cover Gasket / Sealant	37	Lockwasher – Spindle Nut	56	Ring – Differential
16	Plug – Carrier Cover	38	Shaft – Axle Flanged Drive	57	Plate – Differential
17	Bolt – Carrier Cover	39	Seal – Inboard Shaft	58	Disc – Differential
18 ⁽²⁾	Differential Bearing Cap	40	Retainer Ring – Wheel Bearing	59	Disc – Differential (dished)
19 ⁽²⁾	Bolt – Differential Bearing Cap	41	Wheel Bearing Assembly	60	Plate – Differential (dished)
20	KIT – Differential Bearing	42	Seal – Outboard Shaft	61	Bolt – Differential Case
21	Shim – Differential Bearing	43	Retainer – Oil Seal		
22	Case – Differential				

(1) Contact Vehicle Manufacturer

(2) See Spicer Driveline Catalog J300P Section 10

Check availability on all Powr-Lok parts before ordering

GMC / Chevrolet Model 60 Rear Axles

Bill of Material Table

Axle			Axle Kits				Shaft & Joint Assy.	
Bill of Material	Diff. Type	Ratio	Ring Gear & Pinion Kit ⁽⁷⁾	Differential			Right Hand Shaft Assy.	Left Hand Shaft Assy.
				Case Assy. Kit ⁽⁸⁾	Case Kit	Inner Parts Kit		
1968-69 C10 Station Wagon w/ Leaf Springs								
603006-1	Standard	3.54	706660-1X	26167X	706668X	706671X	26170X	26171X
603006-2	Powr-Lok	3.54	706660-1X	25370X	706174X	706176X	26170X	26171X
1970 C10 Station Wagon w/ Leaf Springs								
603145-1	Standard	3.54	706660-1X	26167X	706668X	706671X	26170X	26171X
603145-2	Powr-Lok	3.54	706660-1X	25370X	706174X	706176X	26170X	26171X
1968 C10 Truck Chassis w/ Coil Springs								
602994-1	Standard	3.54	706660-1X	26167X	706668X	706671X	26170X	26171X
602994-2	Powr-Lok	3.54	706660-1X	25370X	706174X	706176X	26170X	26171X
1969 C10 Truck Chassis w/ Coil Springs								
603050-1	Standard	3.54	706660-1X	26167X	706668X	706671X	26170X	26171X
603050-2	Powr-Lok	3.54	706660-1X	25370X	706174X	706176X	26170X	26171X
1970 C10 Truck Chassis w/ Coil Springs								
603146-1	Standard	3.54	706660-1X	26167X	706668X	706671X	26170X	26171X
603146-2	Powr-Lok	3.54	706660-1X	25370X	706174X	706176X	26170X	26171X
1968 C15								
602926-6	Standard	3.54	706660-1X	26167X	706668X	706671X	23243X	23244X
602926-7	Powr-Lok	3.54	706660-1X	25370X	706174X	706176X	23243X	23244X
1968 C20 Truck Chassis w/ Leaf Springs								
602927-11	Standard	4.10	706660-3X	706664X	706668X	706671X	34551-3	34551-3
602927-12	Powr-Lok	4.10	706660-3X	706172X	706174X	706176X	34551-3	34551-3
602927-13	Standard	4.56	706660-4X	706665X	706669X	706671X	34551-3	34551-3
602927-14	Powr-Lok	4.56	706660-4X	706173X	706175X	706176X	34551-3	34551-3
602927-15	Standard	3.54	706660-1X	706664X	706668X	706671X	34551-3	34551-3
602927-16	Powr-Lok	3.54	706660-1X	706172X	706174X	706176X	34551-3	34551-3
602927-17	Standard	3.73	706660-2X	706664X	706668X	706671X	34551-3	34551-3
602927-18	Powr-Lok	3.73	706660-2X	706172X	706174X	706176X	34551-3	34551-3
1969-70 C20 Truck Chassis w/ Leaf Springs								
603067-1	Standard	4.10	706660-3X	706664X	706668X	706671X	31494-1	31494-1
603067-2	Powr-Lok	4.10	706660-3X	706172X	706174X	706176X	31494-1	31494-1
603067-3	Standard	4.56	706660-4X	706665X	706669X	706671X	31494-1	31494-1
603067-4	Powr-Lok	4.56	706660-4X	706173X	706175X	706176X	31494-1	31494-1
603067-5	Standard	3.54	706660-1X	706664X	706668X	706671X	31494-1	31494-1
603067-6	Powr-Lok	3.54	706660-1X	706172X	706174X	706176X	31494-1	31494-1
602927-7	Standard	3.73	706660-2X	706664X	706668X	706671X	31494-1	31494-1
602927-8	Powr-Lok	3.73	706660-2X	706172X	706174X	706176X	31494-1	31494-1
1971 C20 Truck Chassis w/ Leaf Springs								
603208-1	Standard	4.10	706660-3X	706664X	706668X	706671X	31494-1	31494-1
603208-2	Powr-Lok	4.10	706660-3X	706172X	706174X	706176X	31494-1	31494-1
603208-3	Standard	4.56	706660-4X	706665X	706669X	706671X	31494-1	31494-1
603208-4	Powr-Lok	4.56	706660-4X	706173X	706175X	706176X	31494-1	31494-1
603208-5	Standard	3.54	706660-1X	706664X	706668X	706671X	31494-1	31494-1
603208-6	Powr-Lok	3.54	706660-1X	706172X	706174X	706176X	31494-1	31494-1

(7) See Ring Gear & Pinion Kits in XGI Catalog for ratio & tooth combinations.

(8) See Differential Case Assy Kits in XGI Catalog for spline data & ratios.

GMC / Chevrolet Model 60 Rear Axles

Bill of Material Table

Axle			Axle Kits				Shaft & Joint Assy.	
Bill of Material	Diff. Type	Ratio	Ring Gear & Pinion Kit ⁽⁷⁾	Differential			Right Hand Shaft Assy.	Left Hand Shaft Assy.
				Case Assy. Kit ⁽⁸⁾	Case Kit	Inner Parts Kit		
1972 C20 Truck Chassis w/ Leaf Springs								
603322-1	Standard	4.10	706660-3X	706664X	706668X	706671X	31494-1	31494-1
603322-2	Powr-Lok	4.10	706660-3X	706172X	706174X	706176X	31494-1	31494-1
603322-3	Standard	4.56	706660-4X	706665X	706669X	706671X	31494-1	31494-1
603322-4	Powr-Lok	4.56	706660-4X	706173X	706175X	706176X	31494-1	31494-1
603322-5	Standard	3.54	706660-1X	706664X	706668X	706671X	31494-1	31494-1
603322-6	Powr-Lok	3.54	706660-1X	706172X	706174X	706176X	31494-1	31494-1
1968 C20 Truck Chassis w/ Coil Springs								
602995-1	Standard	3.54	706660-1X	706664X	706668X	706671X	34551-3	34551-3
602995-2	Powr-Lok	3.54	706660-1X	706172X	706174X	706176X	34551-3	34551-3
1969-70 C20 Truck Chassis w/ Coil Springs								
603051-1	Standard	3.54	706660-1X	706664X	706668X	706671X	31494-1	31494-1
603051-2	Powr-Lok	3.54	706660-1X	706172X	706174X	706176X	31494-1	31494-1
603051-3	Standard	3.73	706660-2X	706664X	706668X	706671X	31494-1	31494-1
603051-4	Powr-Lok	3.73	706660-2X	706172X	706174X	706176X	31494-1	31494-1
603051-5	Standard	4.10	706660-3X	706664X	706668X	706671X	31494-1	31494-1
603051-6	Powr-Lok	4.10	706660-3X	706172X	706174X	706176X	31494-1	31494-1
603051-7	Standard	4.56	706660-4X	706665X	706669X	706671X	31494-1	31494-1
603051-8	Powr-Lok	4.56	706660-4X	706173X	706175X	706176X	31494-1	31494-1
1971 C20 Truck Chassis w/ Coil Springs								
603207-1	Standard	3.54	706660-1X	706664X	706668X	706671X	31494-1	31494-1
603207-2	Powr-Lok	3.54	706660-1X	706172X	706174X	706176X	31494-1	31494-1
603207-3	Standard	3.73	706660-2X	706664X	706668X	706671X	31494-1	31494-1
603207-4	Powr-Lok	3.73	706660-2X	706172X	706174X	706176X	31494-1	31494-1
603207-5	Standard	4.10	706660-3X	706664X	706668X	706671X	31494-1	31494-1
603207-6	Powr-Lok	4.10	706660-3X	706172X	706174X	706176X	31494-1	31494-1
603207-7	Standard	4.56	706660-4X	706665X	706669X	706671X	31494-1	31494-1
603207-8	Powr-Lok	4.56	706660-4X	706173X	706175X	706176X	31494-1	31494-1
1972 C20 Truck Chassis w/ Coil Springs								
603321-1	Standard	3.54	706660-1X	706664X	706668X	706671X	31494-1	31494-1
603321-2	Powr-Lok	3.54	706660-1X	706172X	706174X	706176X	31494-1	31494-1
603321-5	Standard	4.10	706660-3X	706664X	706668X	706671X	31494-1	31494-1
603321-6	Powr-Lok	4.10	706660-3X	706172X	706174X	706176X	31494-1	31494-1
603321-7	Standard	4.56	706660-4X	706665X	706669X	706671X	31494-1	31494-1
603321-8	Powr-Lok	4.56	706660-4X	706173X	706175X	706176X	31494-1	31494-1
1968-70 C25 Truck Chassis w/ Standard Wheel Base								
603033-1	Standard	3.54	706660-1X	706664X	706668X	706671X	31494-1	31494-1
603033-2	Powr-Lok	3.54	706660-1X	706172X	706174X	706176X	31494-1	31494-1
603033-3	Standard	3.73	706660-2X	706664X	706668X	706671X	31494-1	31494-1
603033-4	Powr-Lok	3.73	706660-2X	706172X	706174X	706176X	31494-1	31494-1
603033-5	Standard	4.10	706660-3X	706664X	706668X	706671X	31494-1	31494-1
603033-6	Powr-Lok	4.10	706660-3X	706172X	706174X	706176X	31494-1	31494-1
603033-7	Standard	4.56	706660-4X	706665X	706669X	706671X	31494-1	31494-1
603033-8	Powr-Lok	4.56	706660-4X	706173X	706175X	706176X	31494-1	31494-1

(7) See Ring Gear & Pinion Kits in XGI Catalog for ratio & tooth combinations.

(8) See Differential Case Assy Kits in XGI Catalog for spline data & ratios.

GMC / Chevrolet Model 60 Rear Axles

Bill of Material Table

Axle			Axle Kits				Shaft & Joint Assy.	
Bill of Material	Diff. Type	Ratio	Ring Gear & Pinion Kit ⁽⁷⁾	Differential			Right Hand Shaft Assy.	Left Hand Shaft Assy.
				Case Assy. Kit ⁽⁸⁾	Case Kit	Inner Parts Kit		
1971 C25 Truck Chassis w/ Standard Wheel Base								
603206-1	Standard	3.54	706660-1X	706664X	706668X	706671X	31494-1	31494-1
603206-2	Powr-Lok	3.54	706660-1X	706172X	706174X	706176X	31494-1	31494-1
603206-5	Standard	4.10	706660-3X	706664X	706668X	706671X	31494-1	31494-1
603206-6	Powr-Lok	4.10	706660-3X	706172X	706174X	706176X	31494-1	31494-1
603206-7	Standard	4.56	706660-4X	706665X	706669X	706671X	31494-1	31494-1
603206-8	Powr-Lok	4.56	706660-4X	706173X	706175X	706176X	31494-1	31494-1
1972 C25 Truck Chassis w/ Standard Wheel Base								
603322-1	Standard	4.10	706660-3X	706664X	706668X	706671X	31494-1	31494-1
603322-2	Powr-Lok	4.10	706660-3X	706172X	706174X	706176X	31494-1	31494-1
603322-3	Standard	4.56	706660-4X	706665X	706669X	706671X	31494-1	31494-1
603322-4	Powr-Lok	4.56	706660-4X	706173X	706175X	706176X	31494-1	31494-1
603322-5	Standard	3.54	706660-1X	706664X	706668X	706671X	31494-1	31494-1
603322-6	Powr-Lok	3.54	706660-1X	706172X	706174X	706176X	31494-1	31494-1
1972 C25 Truck Chassis w/ Long Wheel Base								
603320-1	Standard	3.54	706660-1X	706664X	706668X	706671X	31494-1	31494-1
603320-2	Powr-Lok	3.54	706660-1X	706172X	706174X	706176X	31494-1	31494-1
603320-5	Standard	4.10	706660-3X	706664X	706668X	706671X	31494-1	31494-1
603320-6	Powr-Lok	4.10	706660-3X	706172X	706174X	706176X	31494-1	31494-1
603320-7	Standard	4.56	706660-4X	706665X	706669X	706671X	31494-1	31494-1
603320-8	Powr-Lok	4.56	706660-4X	706173X	706175X	706176X	31494-1	31494-1
1973 G300 Van w/ 125" Wheel Base								
603398-1	Standard	4.10	706660-3X	706180X	706668X	706181X	36453-1	36453-1
1974 G300 Van w/ 125" Wheel Base								
603475-1	Trac-Lok	4.56	706660-4X	706035-4X	706667X	706460X	36453-1	36453-1
603475-2	Standard	4.56	706660-4X	706182X	706669X	706181X	36453-1	36453-1
603475-3	Trac-Lok	4.10	706660-3X	706034-4X	706666X	706460X	36453-1	36453-1
603475-4	Standard	4.10	706660-3X	706180X	706668X	706181X	36453-1	36453-1
1975 G300 Van w/ 125" Wheel Base								
603560-1	Trac-Lok	4.56	706660-4X	706035-4X	706667X	706460X	36453-1	36453-1
603560-2	Standard	4.56	706660-4X	706182X	706669X	706181X	36453-1	36453-1
603560-3	Trac-Lok	4.10	706660-3X	706034-4X	706666X	706460X	36453-1	36453-1
603560-4	Standard	4.10	706660-3X	706180X	706668X	706181X	36453-1	36453-1
1976-77 G300 Van w/ 125" Wheel Base								
603705-1	Standard	4.56	706660-4X	706182X	706669X	706181X	36453-1	36453-1
603705-2	Standard	4.10	706660-3X	706180X	706668X	706181X	36453-1	36453-1
1978 G300 Van w/ 125" Wheel Base								
603884-1	Standard	4.56	706660-4X	706182X	706669X	706181X	36453-1	36453-1
603884-2	Standard	4.10	706660-3X	706180X	706668X	706181X	36453-1	36453-1
1975 G300 Van w/ 146" Wheel Base								
603545-1	Trac-Lok	4.56	706660-4X	706035-4X	706667X	706460X	36453-1	36453-1
603545-2	Standard	4.56	706660-4X	706182X	706669X	706181X	36453-1	36453-1
603545-3	Trac-Lok	4.10	706660-3X	706034-4X	706666X	706460X	36453-1	36453-1
603545-4	Standard	4.10	706660-3X	706180X	706668X	706181X	36453-1	36453-1
1976-78 G300 Van w/ 146" Wheel Base								
603702-1	Standard	4.56	706660-4X	706182X	706669X	706181X	36453-1	36453-1
603702-2	Standard	4.10	706660-3X	706180X	706668X	706181X	36453-1	36453-1

(7) See Ring Gear & Pinion Kits in XGI Catalog for ratio & tooth combinations.

(8) See Differential Case Assy Kits in XGI Catalog for spline data & ratios.

GMC / Chevrolet Model 60 Rear Axles

Bill of Material Table

Axle			Axle Kits				Shaft & Joint Assy.	
Bill of Material	Diff. Type	Ratio	Ring Gear & Pinion Kit ⁽⁷⁾	Differential			Right Hand Shaft Assy.	Left Hand Shaft Assy.
				Case Assy. Kit ⁽⁸⁾	Case Kit	Inner Parts Kit		
1967 I1000								
602926-6	Standard	3.54	706660-1X	26167X	706668X	706671X	23243X	23244X
602926-7	Powr-Lok	3.54	706660-1X	25370X	706174X	706176X	23243X	23244X
1967 I1500 Station Wagon								
602927-11	Standard	4.10	706660-3X	706664X	706668X	706671X	31494-1	31494-1
602927-12	Powr-Lok	4.10	706660-3X	706172X	706174X	706176X	31494-1	31494-1
602927-13	Standard	4.56	706660-4X	706665X	706669X	706671X	31494-1	31494-1
602927-14	Powr-Lok	4.56	706660-4X	706173X	706175X	706176X	31494-1	31494-1
602927-15	Standard	3.54	706660-1X	706664X	706668X	706671X	31494-1	31494-1
602927-16	Powr-Lok	3.54	706660-1X	706172X	706174X	706176X	31494-1	31494-1
602927-17	Standard	3.73	706660-2X	706664X	706668X	706671X	31494-1	31494-1
602927-18	Powr-Lok	3.73	706660-2X	706172X	706174X	706176X	31494-1	31494-1
1967 K1500 Pick-up								
602923-3	Standard	4.56	706660-4X	706665X	706669X	706671X	31494-1	31494-1
602923-4	Powr-Lok	4.56	706660-4X	706173X	706175X	706176X	31494-1	31494-1
1968 K25 Truck Chassis								
602989-2	Powr-Lok	4.10	706660-3X	706172X	706174X	706176X	31494-1	31494-1
602989-3	Standard	4.56	706660-4X	706665X	706669X	706671X	31494-1	31494-1
602989-4	Powr-Lok	4.56	706660-4X	706173X	706175X	706176X	31494-1	31494-1
1968 1/2 K25 Truck Chassis								
603073-2	Powr-Lok	4.10	706660-3X	706172X	706174X	706176X	31494-1	31494-1
603073-3	Standard	4.56	706660-4X	706665X	706669X	706671X	31494-1	31494-1
603073-4	Powr-Lok	4.56	706660-4X	706173X	706175X	706176X	31494-1	31494-1
1969-70 K25 Truck Chassis								
603107-1	Standard	4.10	706660-3X	706664X	706668X	706671X	31494-1	31494-1
603107-2	Powr-Lok	4.10	706660-3X	706172X	706174X	706176X	31494-1	31494-1
603107-3	Standard	4.56	706660-4X	706665X	706669X	706671X	31494-1	31494-1
603107-4	Powr-Lok	4.56	706660-4X	706173X	706175X	706176X	31494-1	31494-1
603107-6	Powr-Lok	4.10	706660-3X	706172X	706174X	706176X	31494-1	31494-1
603107-7	Standard	4.56	706660-4X	706665X	706669X	706671X	31494-1	31494-1
603107-8	Powr-Lok	4.56	706660-4X	706173X	706175X	706176X	31494-1	31494-1
1971 K25 Truck Chassis								
603209-1	Standard	4.10	706660-3X	706664X	706668X	706671X	31494-1	31494-1
603209-6	Powr-Lok	4.10	706660-3X	706172X	706174X	706176X	31494-1	31494-1
603209-7	Standard	4.56	706660-4X	706665X	706669X	706671X	31494-1	31494-1
603209-8	Powr-Lok	4.56	706660-4X	706173X	706175X	706176X	31494-1	31494-1
1972 K25 Truck Chassis								
603323-1	Standard	4.10	706660-3X	706664X	706668X	706671X	31494-1	31494-1
603323-6	Powr-Lok	4.10	706660-3X	706172X	706174X	706176X	31494-1	31494-1
603323-7	Standard	4.56	706660-4X	706665X	706669X	706671X	31494-1	31494-1
603323-8	Powr-Lok	4.56	706660-4X	706173X	706175X	706176X	31494-1	31494-1

(7) See Ring Gear & Pinion Kits in XGI Catalog for ratio & tooth combinations.

(8) See Differential Case Assy Kits in XGI Catalog for spline data & ratios.

GMC / Chevrolet Model 60 Rear Axles Common Axle Kits - Use with All Applications

ITEM NO.	DESCRIPTION	KIT PART NUMBER	ITEM NO.	DESCRIPTION	KIT PART NUMBER
Carrier Cover		706128X	Pinion & Bearing Adjusting Shim		706672X
14	Carrier Cover		4	Shim – Drive Pinion Adjusting	
15	Carrier Cover Gasket / Sealant		6	Shim – Pinion Bearing Adjusting	
16	Carrier Cover Plug		12	Pinion Nut	
17	Carrier Cover Bolt		15	Carrier Cover Gasket / Sealant	
Inner Pinion Bearing		706046X	Differential Bearing Adjusting Shim		706673X
3	KIT – Inner Pinion Bearing		15	Carrier Cover Gasket / Sealant	
Outer Pinion Bearing		706045X	21	Shim – Differential Bearing	
7	KIT – Outer Pinion Bearing		Differential & Pinion Shim		706674X
Outer Pinion Bearing		706047X	4	Shim – Drive Pinion Adjusting	
20	KIT – Differential Bearing		6	Shim – Pinion Bearing Adjusting	
			11	Washer – Pinion Nut	
			12	Pinion Nut	
			15	Carrier Cover Gasket / Sealant	
			21	Shim – Differential Bearing	

When replacing Carrier Cover Gasket, replace with same type originally used. RTV tube gasket recommended for use on flat flange type cover. Paper or cork gasket recommended for use on ribbed flange cover.

Miscellaneous Small Parts - Use With All Applications

Full-Float Design

VEHICLE MODEL & BILL OF MATERIAL BASE NUMBER	BRAKE MOUNTING		Hub Seal (item 32)	Inner Wheel Bearing Kit (item 33)	Outer Wheel Bearing Kit (item 34)	Spindle Nut (item 36)	Spindle Nut Lockwasher (item 37)
	Bolt (item 30)	Nut (item 31)					
For C20, C25, I1500, K1500, K25 Models Axle B.M. 602923, 602927, 602989, 602995, 603033, 603051, 603067, 603073, 603107, 603206, 603207, 603208, 603209, 603320, 603321, 603322, 603323	500411-10	500641	35697	(1) {550189 550232}	706217X	306636	30637
For B-Body Model Axle B.M. 603398, 603475, 603545, 603560, 603702, 603705, 603884	30175	30137	(2)	(2)	706074X	33732	33733

Semi-Float Design

VEHICLE MODEL & BILL OF MATERIAL BASE NUMBER	BRAKE MOUNTING		Inboard Shaft Seal (item 39)	Wheel Bearing Retainer Ring (item 40)	Wheel Bearing Assembly (item 41)	Outboard Shaft Seal (item 42)	Oil Seal Retainer (item 43)
	Bolt (item 30)	Nut (item 31)					
For C10 Models Axle B.M. 602994, 603006, 603050, 603145, 603146	30235-1	35704	34419	35755	(1) {550707 550708}	33382 (RH) 23913X (LH)	33388
For C15 & I1000 Models Axle B.M. 602926	30175	30173	34419	35827	550317	30388	30428

(1) Not a Kit (1 each required for all applications listed)

(2) Contact Vehicle Manufacturer for Service

LH - Left Hand RH - Right Hand

GMC / Chevrolet Model 60 Rear Axles Kit Components

ITEM NO.	DESCRIPTION	ITEM NO.	DESCRIPTION	ITEM NO.	DESCRIPTION
Drive Pinion & Gear Assembly		Differential Case Assembly (Trac-Lok)		Differential Parts (Powr-Lok)	
2	Drive Pinion & Gear Assembly	15	Carrier Cover Gasket / Sealant	15	Carrier Cover Gasket / Sealant
3	KIT – Inner Pinion Bearing	20	KIT – Differential Bearing	53	Shaft – Differential
4	Inner Pinion Shims	21	Shim – Differential Bearing	54	Pinion – Differential
5	Baffle – Pinion Bearing	23	Bolt – Drive Gear	55	Gear – Differential
6	Outer Pinion Shims	24	Pinion – Differential	56	Ring – Differential Gear
7	KIT – Outer Pinion Bearing	26	Thrustwasher – Diff. Pinion	57	Plate – Differential
8	Slinger – Outer Pinion Bearing	28	Shaft – Differential	58	Disc – Differential
9	Seal – Pinion Oil	29	Lock – Differential Shaft	59	Disc – Differential (dished)
11	Washer – Pinion Nut	44	Case – Differential	60	Plate – Differential (dished)
12	Pinion Nut	45	Gear – Differential		
15	Carrier Cover Gasket / Sealant	46	Spacer – Diff. Gear (dished)	Differential Parts (Trac-Lok)	
21	Shim – Differential Bearing	47	Plate – Differential	15	Carrier Cover Gasket / Sealant
23	Bolt – Drive Gear	48	Disc – Differential	23	Bolt – Drive Gear
Differential Case Assembly (standard)		49	Plate – Differential	24	Pinion – Differential
15	Carrier Cover Gasket / Sealant	50	Clip – Diff. Clutch Retainer	26	Thrustwasher – Diff. Pinion
20	KIT – Differential Bearing	Differential Case (standard)		28	Shaft – Differential
21	Shim – Differential Bearing	15	Carrier Cover Gasket / Sealant	29	Lock – Differential Shaft
22	Case – Differential	21	Shim – Differential Bearing	45	Gear – Differential
23	Bolt – Drive Gear	22	Case – Differential	46	Spacer – Diff. Gear (dished)
24	Pinion – Differential	23	Bolt – Drive Gear	47	Plate – Differential
25	Gear – Differential	29	Lock – Differential Shaft	48	Disc – Differential
26	Thrustwasher – Diff. Pinion	Differential Case (Powr-Lok)		49	Plate – Differential
27	Thrustwasher – Diff. Gear	15	Carrier Cover Gasket / Sealant	50	Clip – Diff. Clutch Retainer
28	Shaft – Differential Pinion	21	Shim – Differential Bearing		
29	Lock – Differential Shaft	23	Bolt – Drive Gear		
Differential Case Assembly (Powr-Lok)		51	Flange Half – Differential Case		
15	Carrier Cover Gasket / Sealant	52	Cap Half – Differential Case		
20	KIT – Differential Bearing	61	Bolt – Differential Case		
21	Shim – Differential Bearing	Differential Case (Trac-Lok)			
23	Bolt – Drive Gear	15	Carrier Cover Gasket / Sealant		
51	Flange Half – Differential Case	21	Shim – Differential Bearing		
52	Cap Half – Differential Case	23	Bolt – Drive Gear		
53	Shaft – Differential	29	Lock – Differential Shaft		
54	Pinion – Differential	44	Case – Differential		
55	Gear – Differential	Differential Parts (standard)			
56	Ring – Differential Gear	15	Carrier Cover Gasket / Sealant		
57	Plate – Differential	23	Bolt – Drive Gear		
58	Disc – Differential	24	Pinion – Differential		
59	Disc – Differential (dished)	25	Gear – Differential		
60	Plate – Differential (dished)	26	Thrustwasher – Diff. Pinion		
61	Bolt – Differential Case	27	Thrustwasher – Diff. Gear		
		28	Shaft – Differential Pinion		
		29	Lock – Differential Shaft		

When replacing Carrier Cover Gasket, replace with same type originally used. RTV tube gasket recommended for use on flat flange type cover. Paper or cork gasket recommended for use on ribbed flange cover.

GMC / Chevrolet Model 60 Rear Axles Axle Shaft Dimensions

Part Number	Spline		Flange Face to End of Spline	Flange Diameter	Bolts	
	Diameter & Number of Splines	Length			Circle Diameter	Number of Bolt Holes
23243X	1 ⁵ / ₁₆ " -16	1 ¹³ / ₁₆ "	31 ⁵ / ₃₂ "	7 ¹ / ₁₆ "	5 ¹ / ₂ "	5
23244X	1 ⁵ / ₁₆ " -30	1 ¹³ / ₁₆ "	29 ¹⁹ / ₃₂ "	6 ²³ / ₃₂ "	5 ¹ / ₂ "	6
26170X	1 ⁵ / ₁₆ " -30	1 ¹³ / ₁₆ "	30 ³ / ₃₂ "	6 ²³ / ₃₂ "	5 ¹ / ₂ "	6
26171X	1 ⁵ / ₁₆ " -30	1 ¹³ / ₁₆ "	30 ³ / ₃₂ "	6 ²³ / ₃₂ "	5 ¹ / ₂ "	6
31494-1	1 ⁵ / ₁₆ " -30	1 ¹³ / ₁₆ "	35 ¹ / ₈ "	4 ¹ / ₂ "	3 ²³ / ₃₂ "	8
34551-3	1 ⁵ / ₁₆ " -30	1 ¹³ / ₁₆ "	35 ¹ / ₈ "	4 ¹ / ₂ "	3 ²³ / ₃₂ "	8
36453-1	1 ¹ / ₂ " -35	1 ⁵ / ₈ "	40 ¹ / ₁₆ "	4 ³ / ₄ "	3 ³¹ / ₃₂ "	8

GMC / Chevrolet 1973-1978

Model 70 Rear Axles for

C10/25 & C30 Motor Home

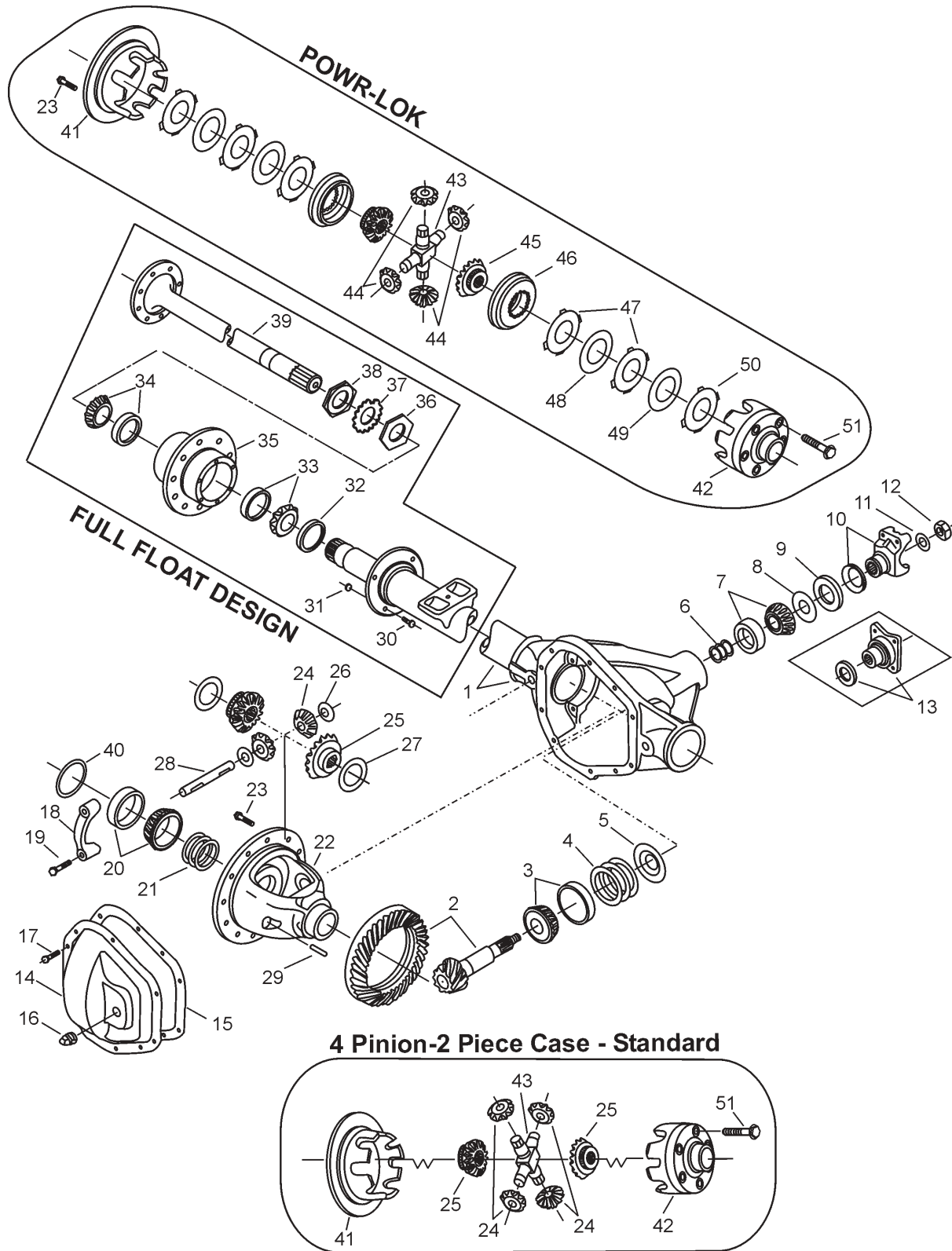
C-300 Camper, Van & Dual Wheel

G-300 Van w/ 146" Wheel Base

P-300 Motor Home

GMC / Chevrolet Model 70 Rear Axles

Exploded View



GMC / Chevrolet Model 70 Rear Axles Parts Listing



ITEM NO.	PART IDENTIFICATION	ITEM NO.	PART IDENTIFICATION	ITEM NO.	PART IDENTIFICATION
1 ⁽¹⁾	Housing – Axle Service	21	Shim – Differential Bearing	Power-Lok & Trak-Lok Differential	
2	Drive Pinion & Gear Assembly	22	Case – Differential		
3	KIT – Inner Pinion Bearing	23	Bolt – Drive Gear	41	Flange Half - Differential Case
4	Shim – Drive Pinion	24	Pinion – Differential	42	Cap Half – Differential Case
5	Baffle – Pinion Bearing	25	Gear – Differential	43	Shaft – Differential
6	Shim – Pinion Bearing	26	Thrustwasher – Diff. Pinion	44	Pinion – Differential
7	KIT – Outer Pinion Bearing	27	Thrustwasher – Differential Gear	45	Gear – Differential
8	Slinger – Outer Pinion Bearing	28	Shaft – Differential Pinion	46	Ring – Differential
9	Seal – Pinion Oil	29	Lock – Differential Shaft	47	Plate – Differential
10 ⁽²⁾	End Yoke Assembly	30	Brake Mounting Bolt	48	Disc – Differential
11	Washer – Pinion Nut	31	Brake Mounting Nut	49	Disc – Differential (dished)
12	Pinion Nut	32	Hub Seal	50	Plate – Differential (dished)
13 ⁽²⁾	Companion Flange Assembly	33	KIT – Inner Wheel Bearing	51	Bolt – Differential Case
14	Carrier Cover	34	KIT – Outer Wheel Bearing		
15	Carrier Cover Gasket / Sealant	35	Wheel Hub		
16	Plug – Carrier Cover	36	Spindle Nut – Inner		
17	Bolt – Carrier Cover	37	Lockwasher – Spindle Nut		
18 ⁽²⁾	Differential Bearing Cap	38	Spindle Nut – Outer		
19 ⁽²⁾	Bolt – Differential Bearing Cap	39	Shaft – Axle Flanged Drive		
20	KIT – Differential Bearing	40	Spacer – Differential Bearing		

(1) Contact Vehicle Manufacturer
 (2) See Spicer Driveline Catalog J300P Section 10
 Check availability on all Powr-Lok parts before ordering

Miscellaneous Small Parts - Use with All Applications

VEHICLE MODEL & BILL OF MATERIAL BASE NUMBER	BRAKE MOUNTING		Hub Seal (item 32)	Inner Wheel Bearing Kit (item 33)	Outer Wheel Bearing Kit (item 34)	Wheel Hub (item 35)	Spindle Nut/ Washer Inner (item 36)	Spindle Nut Lock Washer (item 37)	Spindle Nut Outer (item 38)
	Bolt	Nut							
	(item 30)	(item 31)							
For C20/25, C30, C300, G300 Models Axle B.M. 603354, 603476, 603537, 603703, 603704	30175	30137	— ⁽²⁾	706179X	706074X	— ⁽²⁾	(1) {33732 33734}	33733	33732
For G300 Models Axle B.M. 603546	30175	30137	— ⁽²⁾	706073X	706074X	— ⁽²⁾	(1) {33732 33734}	33733	33732
For P300 Models Axle B.M. 603408, 603474, 603536, 603657, 603753, 603881	36638	(1) {36640 500357-14}	— ⁽²⁾	— ⁽²⁾	— ⁽²⁾	— ⁽²⁾	(1) {36635 36637}	36636	36635

(1) Not a Kit (1 each required for all applications listed)
 (2) Contact Vehicle Manufacturer for Service

GMC / Chevrolet Model 70 Rear Axles

Bill of Material Table

Axle			Axle Kits				Shaft & Joint Assy.	
Bill of Material	Diff. Type	Ratio	Ring Gear & Pinion Kit ⁽⁷⁾	Differential			Right Hand Shaft Assy.	Left Hand Shaft Assy.
				Case Assy. Kit ⁽⁸⁾	Case Kit	Inner Parts Kit		
1973 C20/25 & C-30 Motor Home - 2 Piece Case								
603354-1	Standard	4.10	706048-2X	706186X	706185X	706099X	36453-1	36453-1
603354-2	Standard	4.56	706048-3X	706097X	706098X	706099X	36453-1	36453-1
603354-3	Powr-Lok	4.10	706048-2X	706062X	706066X	706057X	36453-1	36453-1
603354-4	Powr-Lok	4.56	706048-3X	706063X	706067X	706057X	36453-1	36453-1
603354-5	Standard	3.73	706048-1X	706186X	706185X	706099X	36453-1	36453-1
603354-6	Powr-Lok	3.73	706048-1X	706062X	706066X	706057X	36453-1	36453-1
1974 C20/25 & C-30 Motor Home; C300 Camper, Van & Dual Wheel - 2 Piece Case								
603476-1	Standard	4.10	706048-2X	706186X	706185X	706099X	36453-1	36453-1
603476-2	Standard	4.56	706048-3X	706097X	706098X	706099X	36453-1	36453-1
603476-3	Powr-Lok	4.10	706048-2X	706062X	706066X	706057X	36453-1	36453-1
603476-4	Powr-Lok	4.56	706048-3X	706063X	706067X	706057X	36453-1	36453-1
603476-5	Standard	3.73	706048-1X	706186X	706185X	706099X	36453-1	36453-1
603476-6	Powr-Lok	3.73	706048-1X	706062X	706066X	706057X	36453-1	36453-1
1975 C300 Camper, Van & Dual Wheel - 1 Piece Case								
603537-1	Standard	4.10	706061-2X	706064X	706068X	706058X	36453-1	36453-1
603537-2	Standard	4.56	706061-3X	706065X	706069X	706058X	36453-1	36453-1
603537-3	Powr-Lok	4.10	706061-2X	706062X	706066X	706057X	36453-1	36453-1
603537-4	Powr-Lok	4.56	706061-3X	706063X	706067X	706057X	36453-1	36453-1
603537-5	Standard	3.73	706061-1X	706164X	706068X	706058X	36453-1	36453-1
603537-6	Powr-Lok	3.73	706061-1X	706062X	706066X	706057X	36453-1	36453-1
1976-78 C300 Camper, Van & Dual Wheel - 1 Piece Case								
603704-1	Standard	4.10	706061-2X	706064X	706068X	706058X	36453-1	36453-1
603704-2	Standard	4.56	706061-3X	706065X	706069X	706058X	36453-1	36453-1
603704-6	Standard	3.73	706061-1X	706164X	706068X	706058X	36453-1	36453-1
603704-4	Standard	4.56	706061-3X	706065X	706069X	706058X	36453-1	36453-1
1975 G-300 Van 146" Wheel Base - 1 Piece Case								
603546-1	Standard	4.10	706048-2X	706051X	706055X	706058X	36453-1	36453-1
603546-2	Powr-Lok	4.10	706048-2X	706049X	706053X	706057X	36453-1	36453-1
603546-3	Standard	4.56	706048-3X	706052X	706056X	706058X	36453-1	36453-1
603546-4	Powr-Lok	4.56	706048-2X	706050X	706054X	706057X	36453-1	36453-1
1976-78 G-300 Van 146" Wheel Base - 1 Piece Case								
603703-1	Standard	4.10	706048-2X	706051X	706055X	706058X	36453-1	36453-1
603703-2	Standard	4.56	706048-3X	706052X	706056X	706058X	36453-1	36453-1
1973 P-300 Motor Home - 2 Piece Case								
603408-4	Standard	4.56	706048-3X	706097X	706098X	706099X	36625-1	36625-1
603408-5	Standard	4.88	706048-4X	706097X	706098X	706099X	36625-1	36625-1
1974 P-300 Motor Home - 2 Piece Case								
603474-4	Standard	4.56	706048-3X	706097X	706098X	706099X	36625-1	36625-1
603474-5	Standard	4.88	706048-4X	706097X	706098X	706099X	36625-1	36625-1
1975 P-300 Motor Home - 1 Piece Case								
603536-4	Standard	4.56	706048-3X	706065X	706069X	706058X	36625-1	36625-1
603536-5	Standard	4.88	706048-4X	706065X	706069X	706058X	36625-1	36625-1
1976 P-300 Motor Home - 1 Piece Case								
603753-1	Standard	4.56	706048-3X	706065X	706069X	706058X	36625-1	36625-1
603753-2	Standard	4.88	706048-4X	706065X	706069X	706058X	36625-1	36625-1

(7) See Ring Gear & Pinion Kits in XGI Catalog for ratio & tooth combinations.

(8) See Differential Case Assy Kits in XGI Catalog for spline data & ratios.

GMC / Chevrolet Model 70 Rear Axles

Bill of Material Table

Axle			Axle Kits				Shaft & Joint Assy.	
Bill of Material	Diff. Type	Ratio	Ring Gear & Pinion Kit ⁽⁷⁾	Differential			Right Hand Shaft Assy.	Left Hand Shaft Assy.
				Case Assy. Kit ⁽⁸⁾	Case Kit	Inner Parts Kit		
1977 P-300 Motor Home - 1 Piece Case								
603657-4	Standard	4.56	706048-3X	706065X	706069X	706058X	36625-1	36625-1
603657-5	Standard	4.88	706048-4X	706065X	706069X	706058X	36625-1	36625-1
1978 P-300 Motor Home - 1 Piece Case								
603881-1	Standard	4.56	706048-3X	706065X	706069X	706058X	36625-1	36625-1
603881-2	Standard	4.88	706048-4X	706065X	706069X	706058X	36625-1	36625-1

(7) See Ring Gear & Pinion Kits in XGI Catalog for ratio & tooth combinations.

(8) See Differential Case Assy Kits in XGI Catalog for spline data & ratios.

Axle Shaft Dimensions

Part Number	Spline		Flange Face to End of Spline	Flange Diameter	Bolts	
	Diameter & Number of Splines	Length			Circle Diameter	Number of Bolt Holes
36453-1	1 1/2" -35	1 5/8"	40 1/16"	4 3/4"	3 31/32"	8
36625-1	1 1/2" -35	1 5/8"	36 11/16"	3 25/32"	(20T Splined End)	

Common Axle Kits - Use with All Applications

ITEM NO.	DESCRIPTION	KIT PART NUMBER	ITEM NO.	DESCRIPTION	KIT PART NUMBER
Inner Pinion Bearing		706060X	Differential Bearing		706070X⁽⁹⁾
3	KIT – Inner Pinion Bearing		20	KIT – Differential Bearing	
Outer Pinion Bearing		706045X	Pinion & Bearing Adjusting Shim		706357X
7	KIT – Outer Pinion Bearing		4	Shim – Drive Pinion Adjusting	
Carrier Cover Kit			6	Shim – Pinion Bearing Adjusting	
Axle B.M. 603354, 603408, 603474, 603476, 603536, 603537		706100X	12	Pinion Nut	
Axle B.M. 603546, 603703		706149X	15	Carrier Cover Gasket / Sealant	
Axle B.M. 603704, 603753, 603657, 603881		706058X	Differential Bearing Adjusting Shim		706373X⁽¹⁰⁾
14	Carrier Cover		15	Carrier Cover Gasket / Sealant	
15	Carrier Cover Gasket / Sealant		21	Shim – Differential Bearing	
16	Plug – Carrier Cover		Differential & Pinion Shim		706213X⁽¹¹⁾
17	Bolt – Carrier Cover		4	Shim – Drive Pinion Adjusting	
			6	Shim – Pinion Bearing Adjusting	
			11	Washer – Pinion Nut	
			12	Pinion Nut	
			15	Carrier Cover Gasket / Sealant	
			21	Shim – Differential Bearing	

When replacing Carrier Cover Gasket, replace with same type originally used. RTV tube gasket recommended for use on flat flange type cover. Paper or cork gasket recommended for use on ribbed flange cover.

(9) On Model G-300 Bills of Material 603546 and 603703 use Kit Number 706047X

(10) On Model G-300 Bills of Material 603546 and 603703 use Kit Number 706378X

(11) On Model C-300 Bills of Material 6035471 and 603704 use Kit Number 706077X

GMC / Chevrolet Model 70 Rear Axles Kit Components

ITEM NO.	DESCRIPTION	ITEM NO.	DESCRIPTION	ITEM NO.	DESCRIPTION
Drive Pinion & Gear Assembly		Differential Case Assembly (Powr-Lok)		Differential Parts (standard) (1 piece Case)	
2	Drive Pinion & Gear Assembly	15	Carrier Cover Gasket / Sealant	15	Carrier Cover Gasket / Sealant
3	KIT – Inner Pinion Bearing	20	KIT – Differential Bearing	23	Bolt – Drive Gear
4	Inner Pinion Shims	21	Shim – Differential Bearing	24	Pinion – Differential
5	Baffle – Pinion Bearing	23	Bolt – Drive Gear	25	Gear – Differential
6	Outer Pinion Shims	40	Spacer – Differential Bearing	26	Thrustwasher – Diff. Pinion
7	KIT – Outer Pinion Bearing	41	Flange Half – Differential Case	27	Thrustwasher – Diff. Gear
8	Slinger – Outer Pinion Bearing	42	Cap Half – Differential Case	28	Shaft – Differential Pinion
9	Seal – Pinion Oil	43	Shaft – Differential	29	Lock – Differential Shaft
11	Washer – Pinion Nut	44	Pinion – Differential		
12	Pinion Nut	45	Gear – Differential	Differential Parts (standard) (2 piece Case)	
15	Carrier Cover Gasket / Sealant	46	Ring – Differential Gear	15	Carrier Cover Gasket / Sealant
21	Shim – Differential Bearing	47	Plate – Differential	23	Bolt – Drive Gear
23	Bolt – Drive Gear	48	Disc – Differential	24	Pinion – Differential
40	Spacer – Differential Bearing	49	Disc – Differential (dished)	25	Gear – Differential
Differential Case Assembly (standard) (1 piece Case)		50	Plate – Differential (dished)	26	Thrustwasher – Diff. Pinion
15	Carrier Cover Gasket / Sealant	51	Bolt – Differential Case	27	Thrustwasher – Diff. Gear
20	KIT – Differential Bearing	Differential Case (standard) (1 piece Case)		43	Shaft – Differential Pinion
21	Shim – Differential Bearing	15	Carrier Cover Gasket / Sealant	Differential Parts (Powr-Lok)	
22	Case – Differential	21	Shim – Differential Bearing	15	Carrier Cover Gasket / Sealant
23	Bolt – Drive Gear	22	Case – Differential	23	Bolt – Drive Gear
24	Pinion – Differential	23	Bolt – Drive Gear	43	Shaft – Differential
25	Gear – Differential	29	Lock – Differential Shaft	44	Pinion – Differential
26	Thrustwasher – Diff. Pinion	Differential Case (standard) (2 piece Case)		45	Gear – Differential
27	Thrustwasher – Diff. Gear	15	Carrier Cover Gasket / Sealant	46	Ring – Differential Gear
28	Shaft – Differential Pinion	21	Shim – Differential Bearing	47	Plate – Differential
29	Lock – Differential Shaft	23	Bolt – Drive Gear	48	Disc – Differential
40	Spacer – Differential Bearing	41	Flange Half – Differential Case	49	Disc – Differential (dished)
Differential Case Assembly (standard) (2 piece Case)		42	Cap Half – Differential Case	50	Plate – Differential (dished)
15	Carrier Cover Gasket / Sealant	51	Bolt – Differential Case		
20	KIT – Differential Bearing	Differential Case (Powr-Lok)			
21	Shim – Differential Bearing	15	Carrier Cover Gasket / Sealant		
23	Bolt – Drive Gear	21	Shim – Differential Bearing		
24	Pinion – Differential	23	Bolt – Drive Gear		
25	Gear – Differential	41	Flange Half – Differential Case		
26	Thrustwasher – Diff. Pinion	42	Cap Half – Differential Case		
27	Thrustwasher – Differential Gear	51	Bolt – Differential Case		
40	Spacer – Differential Bearing				
41	Flange Half – Differential Case				
42	Cap Half – Differential Case				
43	Shaft – Differential Pinion				
51	Bolt – Differential Case				

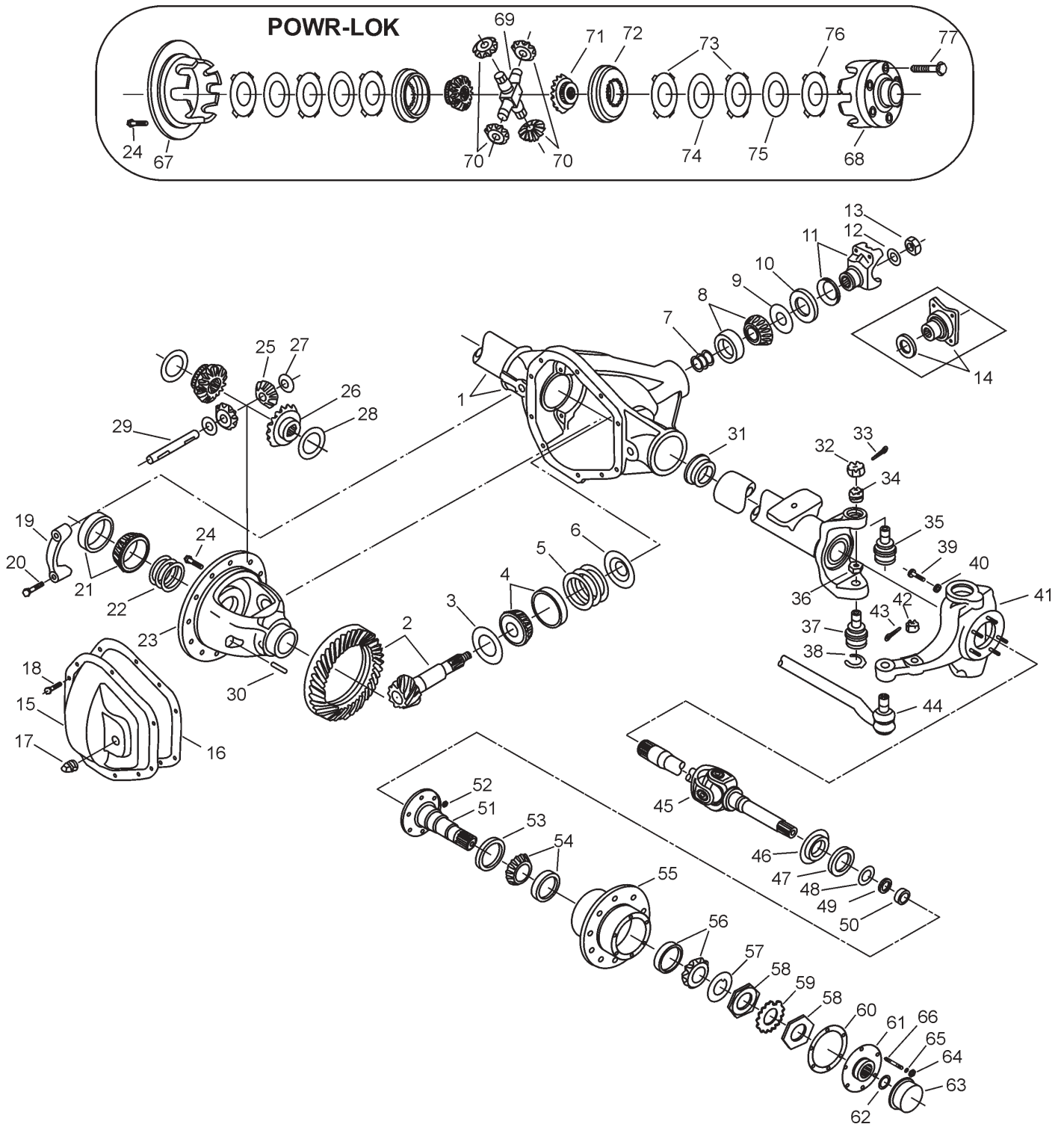
When replacing Carrier Cover Gasket, replace with same type originally used. RTV tube gasket recommended for use on flat flange type cover. Paper or cork gasket recommended for use on ribbed flange cover.

IHC 1967-1977

Model 30 Front Axles for IHC

Scout I, II & Traveler

IHC Model 30 Front Axles Exploded View



IHC Model 30 Front Axles Parts Listing



ITEM NO.	PART IDENTIFICATION	ITEM NO.	PART IDENTIFICATION	ITEM NO.	PART IDENTIFICATION
1 ⁽¹⁾	Housing – Axle Service	28	Thrustwasher – Diff. Gear	55	Wheel Hub
2	Drive Pinion & Gear Assembly	29	Shaft – Differential Pinion	56	KIT – Outer Wheel Bearing
3	Slinger – Inner Pinion Bearing	30	Lock – Differential Shaft	57	Wheel Bearing Lockwasher
	PKG – Inner Pinion Shim	31	Seal & Guide Tube	58	Wheel Bearing Nut
4	KIT – Inner Pinion Bearing	32	Nut - Hex Slotted	59	Lockwasher – Wheel Brg Nut
5	Inner Pinion Shims	33	Cotter Pin	60	Drive Flange Gasket
6	Baffle – Pinion Bearing	34	Adjusting Split Ring	61	Axle Drive Flange
7	Outer Pinion Shims	35	Upper Socket Assembly	62	Snap Ring
8	KIT – Outer Pinion Bearing	36	Lock Nut	63	Hub Cap
9	Slinger – Outer Pinion Bearing	37	Lower Socket Assembly	64	Nut
10	Seal – Pinion Oil	38	Snap Ring	65	Lockwasher
11 ⁽²⁾	End Yoke Assembly	39	Stop Screw	66	Stud
12	Washer – Pinion Nut	40	Jam Nut		
13	Pinion Nut	41	Knuckle Assembly		Power-Lok & Trak-Lok
14 ⁽²⁾	Companion Flange Assembly	42 ⁽¹⁾	Nut - Hex Slotted		Differential
15	Carrier Cover	43 ⁽¹⁾	Cotter Pin	67	Flange Half – Differential Case
16	Carrier Cover Gasket / Sealant	44 ⁽¹⁾	Tie Rod Assembly	68	Cap Half – Differential Case
17	Plug – Carrier Cover	45	Shaft & Joint Assembly	69	Shaft – Differential
18	Bolt – Carrier Cover	46	Slinger – Spindle Yoke (pressed on axle shaft if used)	70	Pinion – Differential
19 ⁽¹⁾	Differential Bearing Cap	47	Oil Seal	71	Gear – Differential
20 ⁽¹⁾	Bolt – Differential Bearing Cap	48	Spacer – Wheel Bearing Spindle	72	Ring – Differential Gear
21	KIT – Differential Bearing	49	Oil Seal - Block Vee	73	Plate – Differential
22	Shim – Differential Bearing	50	Needle Bearing Assembly	74	Disc – Differential
23	Case – Differential	51	Wheel Bearing Spindle	75	Disc – Differential (dished)
24	Bolt – Drive Gear	52	Brake Mounting Nut	76	Plate – Differential (dished)
25	Pinion – Differential	53	Oil Seal	77	Bolt – Differential Case
26	Gear – Differential	54	KIT – Inner Wheel Bearing		
27	Thrustwasher – Diff. Pinion				

(1) Contact Vehicle Manufacturer

(2) See Spicer Driveline Catalog J300P Section 10
Check availability on all Powr-Lok parts before ordering

IHC Model 30 Front Axles

Bill of Material Table

Axle			Axle Kits				Shaft & Joint Assy.	
Bill of Material	Diff. Type	Ratio	Ring Gear & Pinion Kit ⁽⁷⁾	Differential			Right Hand Shaft Assy.	Left Hand Shaft Assy.
				Case Assy. Kit ⁽⁸⁾	Case Kit	Inner Parts Kit		
1967-69 Scout I, II & Traveler								
602951-1	Standard	3.73	706503-3X	25771X	706008X	26913X	202616-17	202616-11
602951-2	Standard	4.10	706503-4X	25771X	706008X	26913X	202616-17	202616-11
602951-3	Standard	4.27	706503-8X	25771X	706008X	26913X	202616-17	202616-11
602951-4	Standard	4.56	706503-5X	25771X	706008X	26913X	202616-17	202616-11
602951-5	Standard	4.88	706503-6X	25771X	706008X	26913X	202616-17	202616-11
602951-6	Powr-Lok	3.73	706503-3X	25773X	706006X	— ⁽⁹⁾	202616-17	202616-11
602951-7	Powr-Lok	4.10	706503-4X	25773X	706006X	— ⁽⁹⁾	202616-17	202616-11
602951-8	Powr-Lok	4.27	706503-8X	25773X	706006X	— ⁽⁹⁾	202616-17	202616-11
602951-9	Powr-Lok	4.56	706503-5X	25773X	706006X	— ⁽⁹⁾	202616-17	202616-11
602951-10	Powr-Lok	4.88	706503-6X	25773X	706006X	— ⁽⁹⁾	202616-17	202616-11
1969 1/2-70 Scout I, II & Traveler								
603144-1	Standard	3.31	706503-1X	26888X	706007X	26913X	202616-17	202616-11
603144-2	Standard	3.73	706503-3X	25771X	706008X	26913X	202616-17	202616-11
603144-3	Standard	4.10	706503-4X	25771X	706008X	26913X	202616-17	202616-11
603144-4	Standard	4.27	706503-8X	25771X	706008X	26913X	202616-17	202616-11
603144-5	Standard	4.56	706503-5X	25771X	706008X	26913X	202616-17	202616-11
603144-6	Standard	4.88	706503-6X	25771X	706008X	26913X	202616-17	202616-11
1970 1/2-71 Scout I, II & Traveler								
603184-1	Standard	3.31	706503-1X	26888X	706007X	26913X	202616-17	202616-11
603184-2	Standard	3.73	706503-3X	25771X	706008X	26913X	202616-17	202616-11
603184-3	Standard	4.27	706503-8X	25771X	706008X	26913X	202616-17	202616-11
1971 1/2-73 Scout I, II & Traveler								
603283-1	Standard	3.73	706503-3X	706004X	706008X	706010X	905192-1	905192-2
603283-3	Standard	4.27	706503-8X	706004X	706008X	706010X	905192-1	905192-2
603283-6	Standard	3.31	706503-1X	706003X	706007X	706010X	905192-1	905192-2
1973 1/2-74 Scout I, II & Traveler								
603451-1	Standard	3.73	706503-3X	706004X	706008X	706010X	905192-1	905192-2
603451-3	Standard	4.27	706503-8X	706004X	706008X	706010X	905192-1	905192-2
603451-5	Standard	4.88	706503-6X	706004X	706008X	706010X	905192-1	905192-2
603451-6	Standard	3.31	706503-1X	706003X	706007X	706010X	905192-1	905192-2
1974 1/2-75 Scout I, II & Traveler								
603562-1	Standard	3.31	706503-1X	706003X	706007X	706010X	28179-1X	28179-2X
603562-2	Standard	3.73	706503-3X	706004X	706008X	706010X	28179-1X	28179-2X
603562-3	Standard	4.10	706503-4X	25771X	706008X	26913X	28179-1X	28179-2X
603562-4	Standard	4.27	706503-8X	706004X	706008X	706010X	28179-1X	28179-2X
603562-5	Standard	3.54	706503-2X	706004X	706008X	706010X	28179-1X	28179-2X
1976-77 Scout I, II & Traveler								
603730-1	Standard	3.54	706503-2X	706003X	706007X	706010X	28179-1X	28179-2X
603730-3	Standard	4.10	706503-4X	706004X	706008X	706010X	28179-1X	28179-2X
1971-73 Scout II & Traveler - Dead Front								
Use Bill of Material 603184-1								
1973 1/2 Scout II & Traveler - Dead Front								
Use Bill of Material 603452-1								
1974 Scout II & Traveler - Dead Front								
Use Bill of Material 603426-1								

(7) See Ring Gear & Pinion Kits in XGI Catalog for ratio & tooth combinations.

(8) See Differential Case Assy Kits in XGI Catalog for spline data & ratios.

(9) Use internal parts from Case Assembly Kit

IHC Model 30 Front Axles Axle Shaft Dimensions

Complete Assembly Number	Inner Shaft - Side Gear End			Outer Shaft - Spline End			Axle Shaft & Joint Assembly		
	Major Spline Diameter	Centerline to End of Spline	Yoke Shaft Part Number	Major Spline Diameter	Centerline to End of Spline	Yoke Shaft Part Number	Side	Overall Length	Cross & Bearing Kit
28179-1X	1 ⁵ / ₃₂ " -27	14 ²⁹ / ₃₂ "	27941-1X	1 ⁵ / ₃₂ " -27	8 ²³ / ₃₂ "	36617	Right	23 ⁵ / ₈ "	5-260X
28179-2X	1 ⁵ / ₃₂ " -27	33 ¹ / ₃₂ "	27941-2X	1 ⁵ / ₃₂ " -27	8 ²³ / ₃₂ "	36617	Left	41 ³ / ₄ "	5-260X
202616-11	1 ¹ / ₈ " -10	32 ¹⁷ / ₃₂ "	27777-5X	1 ¹ / ₈ " -10	8 ⁷ / ₃₂ "	2-82-161	Left	40 ³ / ₄ "	5-74X
202616-17	1 ¹ / ₈ " -10	13 ³¹ / ₃₂ "	27777-7X	1 ¹ / ₈ " -10	8 ⁷ / ₃₂ "	2-82-161	Right	22 ¹³ / ₆₄ "	5-74X
905192-1	1 ⁵ / ₃₂ " -27	14 ²⁹ / ₃₂ "	2-82-1381-1	1 ⁵ / ₃₂ " -27	8 ²³ / ₃₂ "	2-82-1371	Right	23 ⁵ / ₈ "	5-260X
905192-2	1 ⁵ / ₃₂ " -27	33 ¹ / ₃₂ "	2-82-1381-2	1 ⁵ / ₃₂ " -27	8 ²³ / ₃₂ "	2-82-1371	Left	41 ³ / ₄ "	5-260X

(7) See Ring Gear & Pinion Kits in XGI Catalog for ratio & tooth combinations.
(8) See Differential Case Assy Kits in XGI Catalog for spline data & ratios.

Axle Kits & Small Parts - Use with All Applications

Description & Item Number (Refer to "Exploded View" at the front of this section)		Bills of Material				
		602951	603144	603184	603282	603284 603452
Inner Pinion Bearing Kit	4	706015X	706015X	706015X	706015X	706015X
Pinion & Bearing Adjusting Shim (inc. items 5, 7, 12, 13, 16)	—	706360X	706360X	706360X	706360X	706360X
Differential & Pinion Shim (inc. items 5, 7, 12, 13, 16, 22)	—	706386X	706386X	706386X	706386X	706386X
Outer Pinion Bearing	8	706014X	706014X	706014X	706014X	706014X
Carrier Cover (inc. 15, 16, 17, 18)	—	706090X	706090X	706090X	706090X	706090X
Differential Bearing Adj. Shim (16, 22)	—	706087X	706087X	706087X	706087X	706087X
Differential Bearing	21	706016X	706016X	706016X	706016X	706016X
Seal & Guide Tube	31	36410	36410	36410	36410	—
Steering Knuckle Assembly - RH (inc. items 32, 33, 34, 36, 41)	—	34698	27852X	27854X	28975X	28975X
Steering Knuckle Assembly - LH	N.I.	34699	27853X	27855X	28976X	28976X
Socket Assy (32,33,34,35,36,41)	—	— ⁽⁴⁾	30354	30354	706116X	706116X
Stop Screw	39	31026-1	31026-1	31026-1	31026-1	31026-1
Jam Nut	40	500381-3	500381-3	500381-3	500381-3	500381-3
Wheel Spindle Seal & Bearing (inc. items 47, 48, 48A, 49)	—	—	—	—	—	—
Wheel Bearing Spindle (inc. items 47, 48, 48A, 49, 50 or 74)	—	27503X	27503X	27503X	27817X	27820X
Oil Seal	47	—	—	—	34783	36544
Spacer - Wheel Bearing Spindle	48	—	—	—	35986	—
Oil Seal - Block Vee	48A	—	—	—	—	—
Needle Bearing Assembly	49	18174	18174	18174	550759	—
Nut - Brake Mounting	51	— ⁽¹⁾	— ⁽¹⁾	36044	— ⁽¹⁾	— ⁽¹⁾
KIT — Inner Wheel Bearing	53	706111X	706111X	706111X	— ⁽¹⁾	— ⁽¹⁾
KIT — Outer Wheel Bearing	55	706111X	706111X	706111X	706111X	706111X
Gasket-Drive Flange	59	18188	18188	18188	18188	18188
Flange-Axle Drive	60	17153	17153	17153	36436	—
Snap Ring	61	18270	18270	18270	18270	—
Hub Cap	62	17071	17071	17071	32001	— ⁽¹⁾
Lockwasher	64	501209-3	501209-3	501209-3	501209-3	501209-3
Lockwasher-Wheel Bearing	84	17015	17015	17015	17015	17015
Nut-Wheel Bearing	85	17016	17016	17016	17016	17016
Lockwasher-Wheel Bearing Nut	86	17017	17017	17017	17017	17017
Hub Lock Assembly	N.I.	— ⁽¹⁾	— ⁽¹⁾	— ⁽¹⁾	—	—

(1) Contact Vehicle Manufacturer

(4) For 1974 use Carrier Cover Kit 706192X

IHC Model 30 Front Axles

Axle Kits & Small Parts - Use with All Applications

Description & Item Number (Refer to "Exploded View" at the front of this section)		Bills of Material				
		603426	603451	603562	603730	
Inner Pinion Bearing Kit	4	706015X	706015X	706015X	706015X	
Pinion & Bearing Adjusting Shim (inc. items 5, 7, 12, 13, 16)	—	706360X	706360X	706360X	706360X	
Differential & Pinion Shim (inc. items 5, 7, 12, 13, 16, 22)	—	706386X	706386X	706386X	706377X	
Outer Pinion Bearing	8	706014X	706014X	706014X	706030X	
Carrier Cover (inc. 15, 16, 17, 18)	—	706090X	706090X	706090X	706090X	
Differential Bearing Adj. Shim (16, 22)	—	706087X	706087X	706087X	706087X	
Differential Bearing	21	706016X	706016X	706016X	706016X	
Seal & Guide Tube	31	—	36410	36410	36410	
Steering Knuckle Assembly - RH (inc. items 32, 33, 34, 36, 41)	—	706194X	28975X	706194X	706194X	
Steering Knuckle Assembly - LH	N.I.	706195X	28976X	706195X	706195X	
Socket Assy (32,33,34,35,36,41)	—	706116X	706116X	706116X	706116X	
Stop Screw	39	31026-1	31026-1	31026-1	31026-1	
Jam Nut	40	500381-3	500381-3	500381-3	500381-3	
Wheel Spindle Seal & Bearing (inc. items 47, 48, 48A, 49)	—	—	—	—	706527X	
Wheel Bearing Spindle (inc. items 47, 48, 48A, 49, 50)	—	28382X	27817X	706171X	706533X	
Oil Seal	47	36544	34783	38128	38128	
Spacer - Wheel Bearing Spindle	48	—	35986	38106	38106	
Oil Seal - Block Vee	48A	—	—	—	36361	
Needle Bearing Assembly	49	—	550759	550759	550759	
Nut - Brake Mounting	51	— ⁽¹⁾	— ⁽¹⁾	— ⁽¹⁾	— ⁽¹⁾	
KIT — Inner Wheel Bearing	53	— ⁽¹⁾	— ⁽¹⁾	— ⁽¹⁾	— ⁽¹⁾	
KIT — Outer Wheel Bearing	55	706111X	706111X	706111X	706111X	
Gasket-Drive Flange	59	18188	18188	18188	18188	
Flange-Axle Drive	60	—	36436	36436	36436	
Snap Ring	61	—	18270	18270	18270	
Hub Cap	62	— ⁽¹⁾	32001	32001	32001	
Lockwasher	64	501209-3	501209-3	501209-3	501209-3	
Lockwasher-Wheel Bearing	84	17015	17015	17015	17015	
Nut-Wheel Bearing	85	17016	17016	17016	17016	
Lockwasher-Wheel Bearing Nut	86	17017	17017	17017	17017	
Hub Lock Assembly	N.I.	—	—	—	—	

(3) Contact Vehicle Manufacturer

(4) For 1974 use Carrier Cover Kit 706192X

IHC Model 30 Front Axles Kit Components

ITEM NO.	DESCRIPTION	ITEM NO.	DESCRIPTION	ITEM NO.	DESCRIPTION
Drive Pinion & Gear Assembly		Differential Case Assembly (Powr-Lok)		Differential Parts (standard)	
2	Drive Pinion & Gear Assembly	16	Carrier Cover Gasket / Sealant	16	Carrier Cover Gasket / Sealant
3	Slinger – Inner Pinion Bearing	21	KIT – Differential Bearing	24	Bolt – Drive Gear
4	KIT – Inner Pinion Bearing	22	Shim – Differential Bearing	25	Pinion – Differential
5	Inner Pinion Shims	24	Bolt – Drive Gear	26	Gear – Differential
6	Baffle – Pinion Bearing	67	Flange Half – Differential Case	27	Thrustwasher – Diff. Pinion
7	Outer Pinion Shims	68	Cap Half – Differential Case	28	Thrustwasher – Diff. Gear
8	KIT – Outer Pinion Bearing	69	Shaft – Differential	29	Shaft – Differential Pinion
9	Slinger – Outer Pinion Bearing	70	Pinion – Differential	30	Lock – Differential Shaft
10	Seal – Pinion Oil	71	Gear – Differential		
12	Washer – Pinion Nut	82	Ring – Differential Gear	Differential Parts (Powr-Lok)	
13	Pinion Nut	73	Plate – Differential	16	Carrier Cover Gasket / Sealant
16	Carrier Cover Gasket / Sealant	74	Disc – Differential	69	Shaft – Differential
22	Shim – Differential Bearing	75	Disc – Differential (dished)	70	Pinion – Differential
24	Bolt – Drive Gear	76	Plate – Differential (dished)	71	Gear – Differential
		77	Bolt – Differential Case	72	Ring – Differential Gear
Differential Case Assembly (standard)		Differential Case (standard)		73	Plate – Differential
16	Carrier Cover Gasket / Sealant	16	Carrier Cover Gasket / Sealant	74	Disc – Differential
21	KIT – Differential Bearing	22	Shim – Differential Bearing	75	Disc – Differential (dished)
22	Shim – Differential Bearing	23	Case – Differential	76	Plate – Differential (dished)
23	Case – Differential	24	Bolt – Drive Gear		
24	Bolt – Drive Gear	30	Lock – Differential Shaft		
25	Pinion – Differential	Differential Case (Powr-Lok)			
26	Gear – Differential	16	Carrier Cover Gasket / Sealant		
27	Thrustwasher – Diff. Pinion	22	Shim – Differential Bearing		
28	Thrustwasher – Diff. Gear	24	Bolt – Drive Gear		
29	Shaft – Differential Pinion	67	Flange Half – Differential Case		
30	Lock – Differential Shaft	68	Cap Half – Differential Case		
		77	Bolt – Differential Case		

When replacing Carrier Cover Gasket, replace with same type originally used. RTV tube gasket recommended for use on flat flange type cover. Paper or cork gasket recommended for use on ribbed flange cover.

IHC 1967-1978

Model 44 Front Axles for

100, 1100 1/2 Ton Pick-up & Station Wagon

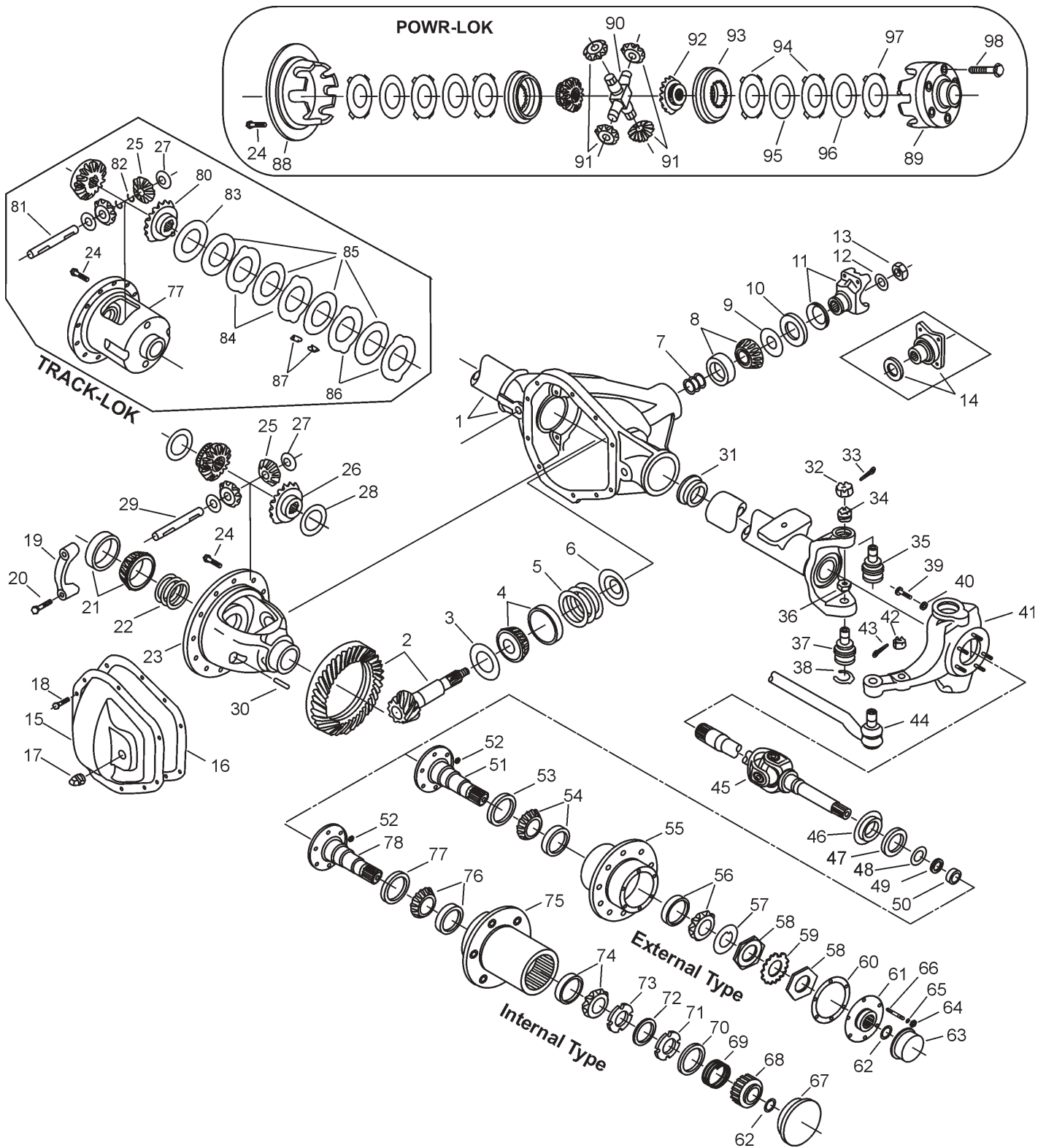
200, 1200 3/4 Ton Pick-up & Station Wagon

Scout II

Traveler

IHC Model 44 Front Axles

Exploded View



IHC Model 44 Front Axles

Parts Listing

ITEM NO.	PART IDENTIFICATION	ITEM NO.	PART IDENTIFICATION	ITEM NO.	PART IDENTIFICATION
1 ⁽¹⁾	Housing – Axle Service	36	Lock Nut	70	Spring Retaining Plate
2	Drive Pinion & Gear Assembly	37	Lower Socket Assembly	71	Wheel Bearing Adjusting Nut
3	Slinger – Inner Pinion Bearing	38	Snap Ring	72	Lock Nut
4	KIT – Inner Pinion Bearing	39	Stop Screw	73	Nut & Pin Assembly – Inner Lock
5	Inner Pinion Shims	40	Jam Nut	74	KIT – Outer Wheel Bearing
6	Baffle – Pinion Bearing	41	Knuckle Assembly	75	Wheel Hub
7	Outer Pinion Shims	42 ⁽¹⁾	Nut - Hex Slotted	76	KIT – Inner Wheel Bearing
8	KIT – Outer Pinion Bearing	43 ⁽¹⁾	Cotter Pin	77	Oil Seal
9	Slinger – Outer Pinion Bearing	44 ⁽¹⁾	Tie Rod Assembly	78	Wheel Bearing Spindle
10	Seal – Pinion Oil	45	Shaft & Joint Assembly		
11 ⁽²⁾	End Yoke Assembly	46	Slinger – Spindle Yoke (pressed on axle shaft if used)		Power-Lok & Trak-Lok Differential
12	Washer – Pinion Nut				
13	Pinion Nut	47	Oil Seal	79	Case – Differential
14 ⁽²⁾	Companion Flange Assembly	48	Spacer – Wheel Bearing Spindle	80	Gear – Differential
15	Carrier Cover	49	Oil Seal - Block Vee	81	Shaft – Differential
16	Carrier Cover Gasket / Sealant	50	Needle Bearing Assembly	82	Snap Ring
17	Plug – Carrier Cover	51	Wheel Bearing Spindle	83	Spacer – Diff. Gear (dished)
18	Bolt – Carrier Cover	52	Brake Mounting Nut	84	Plate – Differential
19 ⁽¹⁾	Differential Bearing Cap	53	Oil Seal	85	Disc – Differential
20 ⁽¹⁾	Bolt – Differential Bearing Cap	54	KIT – Inner Wheel Bearing	86	Plate – Differential
21	KIT – Differential Bearing	55	Wheel Hub	87	Clip – Diff. Clutch Retainer
22	Shim – Differential Bearing	56	KIT – Outer Wheel Bearing	88	Flange Half – Differential Case
23	Case – Differential	57	Wheel Bearing Lockwasher	89	Cap Half – Differential Case
24	Bolt – Drive Gear	58	Wheel Bearing Nut	90	Shaft – Differential
25	Pinion – Differential	59	Lockwasher – Wheel Brg Nut	91	Pinion – Differential
26	Gear – Differential	60	Drive Flange Gasket	92	Gear – Differential
27	Thrustwasher – Diff. Pinion	61	Drive Flange	93	Ring – Differential Gear
28	Thrustwasher – Diff. Gear	62	Snap Ring	94	Plate – Differential
29	Shaft – Differential Pinion	63	Hub Cap	95	Disc – Differential
30	Lock – Differential Shaft	64	Nut	96	Disc – Differential (dished)
31	Seal & Guide Tube	65	Lockwasher	97	Plate – Differential (dished)
32	Nut - Hex Slotted	66	Stud	98	Bolt – Differential Case
33	Cotter Pin	67	Hub Cap		
34	Adjusting Split Ring	68	Axle Drive Gear		
35	Upper Socket Assembly	69	Pressure Spring		

(1) Contact Vehicle Manufacturer

(2) See Spicer Driveline Catalog J300P Section 10
Check availability on all Powr-Lok parts before ordering

IHC Model 44 Front Axles

Bill of Material Table

Axle			Axle Kits				Shaft & Joint Assy.	
Bill of Material	Diff. Type	Ratio	Ring Gear & Pinion Kit ⁽⁷⁾	Differential			Right Hand Shaft Assy.	Left Hand Shaft Assy.
				Case Assy. Kit ⁽⁸⁾	Case Kit	Inner Parts Kit		
1967-68 100, 1100 1/2 Ton Pick-up & Station Wagon								
602921-1	Standard	3.73	706613-6X	706614X	706615X	706616X	206032-5	206032-6
602921-2	Powr-Lok	3.73	706613-6X	25597X	23435X	— ⁽⁹⁾	206032-5	206032-6
602921-3	Standard	4.09	706613-5X	706695X	706696X	706616X	206032-5	206032-6
602921-4	Powr-Lok	4.09	706613-5X	25596X	23436X	— ⁽⁹⁾	206032-5	206032-6
602921-5	Standard	4.78	706613-12X	706695X	706696X	706616X	206032-5	206032-6
602921-6	Powr-Lok	4.78	706613-12X	25596X	23436X	— ⁽⁹⁾	206032-5	206032-6
602921-7	Standard	3.73	706613-6X	706614X	706615X	706616X	206032-5	206032-6
602921-8	Powr-Lok	3.73	706613-6X	25597X	23435X	— ⁽⁹⁾	206032-5	206032-6
602921-9	Standard	4.09	706613-5X	706695X	706696X	706616X	206032-5	206032-6
602921-10	Powr-Lok	4.09	706613-5X	25596X	23436X	— ⁽⁹⁾	206032-5	206032-6
602921-11	Standard	4.78	706613-12X	706695X	706696X	706616X	206032-5	206032-6
602921-12	Powr-Lok	4.78	706613-12X	25596X	23436X	— ⁽⁹⁾	206032-5	206032-6
602921-13	Standard	4.89	706613-13X	706695X	706696X	706616X	206032-5	206032-6
602921-14	Powr-Lok	4.89	706613-13X	25596X	23436X	— ⁽⁹⁾	206032-5	206032-6
602921-15	Standard	4.89	706613-13X	706695X	706696X	706616X	206032-5	206032-6
602921-16	Powr-Lok	4.89	706613-13X	25596X	23436X	— ⁽⁹⁾	206032-5	206032-6
602921-17	Standard	4.55	706613-8X	706695X	706696X	706616X	206032-5	206032-6
602921-18	Powr-Lok	4.55	706613-8X	25596X	23436X	— ⁽⁹⁾	206032-5	206032-6
602921-19	Standard	4.55	706613-8X	706695X	706696X	706616X	206032-5	206032-6
602921-20	Powr-Lok	4.55	706613-8X	25596X	23436X	— ⁽⁹⁾	206032-5	206032-6
602922-1	Standard	3.73	706613-6X	706614X	706615X	706616X	206032-5	206032-6
602922-2	Powr-Lok	3.73	706613-6X	25597X	23435X	— ⁽⁹⁾	206032-5	206032-6
602922-3	Standard	4.09	706613-5X	706695X	706696X	706616X	206032-5	206032-6
602922-4	Powr-Lok	4.09	706613-5X	25596X	23436X	— ⁽⁹⁾	206032-5	206032-6
602922-5	Standard	4.78	706613-12X	706695X	706696X	706616X	206032-5	206032-6
602922-6	Powr-Lok	4.78	706613-12X	25596X	23436X	— ⁽⁹⁾	206032-5	206032-6
602922-7	Standard	4.89	706613-13X	706695X	706696X	706616X	206032-5	206032-6
602922-8	Powr-Lok	4.89	706613-13X	25596X	23436X	— ⁽⁹⁾	206032-5	206032-6
602922-9	Standard	4.55	706613-8X	706695X	706696X	706616X	206032-5	206032-6
602922-10	Powr-Lok	4.55	706613-8X	25596X	23436X	— ⁽⁹⁾	206032-5	206032-6
1969-72 100, 1100 1/2 Ton Pick-up & Station Wagon								
603193-1	Standard	3.73	706613-6X	706614X	706615X	706616X	206032-5	206032-6
603193-3	Standard	4.09	706613-5X	706695X	706696X	706616X	206032-5	206032-6
603193-5	Standard	4.78	706613-12X	706695X	706696X	706616X	206032-5	206032-6
603193-7	Standard	3.73	706613-6X	706614X	706615X	706616X	206032-5	206032-6
603193-9	Standard	4.09	706613-5X	706695X	706696X	706616X	206032-5	206032-6
603193-11	Standard	4.78	706613-12X	706695X	706696X	706616X	206032-5	206032-6
603193-13	Standard	4.89	706613-13X	706695X	706696X	706616X	206032-5	206032-6
603193-15	Standard	4.89	706613-13X	706695X	706696X	706616X	206032-5	206032-6
603193-17	Standard	4.55	706613-8X	706695X	706696X	706616X	206032-5	206032-6
603193-19	Standard	4.55	706613-8X	706695X	706696X	706616X	206032-5	206032-6
603193-21	Standard	3.54	706613-4X	706614X	706615X	706616X	206032-5	206032-6
603193-23	Standard	3.54	706613-4X	706614X	706615X	706616X	206032-5	206032-6
603193-25	Standard	3.07	706613-2X	706614X	706615X	706616X	206032-5	206032-6

(7) See Ring Gear & Pinion Kits in XGI Catalog for ratio & tooth combinations.

(8) See Differential Case Assy Kits in XGI Catalog for spline data & ratios.

(9) Use internal parts from Case Assembly Kit

IHC Model 44 Front Axles

Bill of Material Table

Axle			Axle Kits				Shaft & Joint Assy.	
Bill of Material	Diff. Type	Ratio	Ring Gear & Pinion Kit ⁽⁷⁾	Differential			Right Hand Shaft Assy.	Left Hand Shaft Assy.
				Case Assy. Kit ⁽⁸⁾	Case Kit	Inner Parts Kit		
1971 1/2-75 100, 1100 1/2 Ton Pick-up & Station Wagon								
603326-1	Standard	3.54	706613-4X	706614X	706615X	706616X	27552-5X	27552-6X
603326-2	Standard	3.54	706613-4X	706614X	706615X	706616X	27552-5X	27552-6X
603326-3	Standard	3.73	706613-6X	706614X	706615X	706616X	27552-5X	27552-6X
603326-4	Standard	3.73	706613-6X	706614X	706615X	706616X	27552-5X	27552-6X
603326-5	Standard	4.09	706613-5X	706695X	706696X	706616X	27552-5X	27552-6X
603326-6	Standard	4.09	706613-5X	706695X	706696X	706616X	27552-5X	27552-6X
603326-7	Standard	4.55	706613-8X	706695X	706696X	706616X	27552-5X	27552-6X
603326-8	Standard	4.55	706613-8X	706695X	706696X	706616X	27552-5X	27552-6X
603326-9	Standard	4.78	706613-12X	706695X	706696X	706616X	27552-5X	27552-6X
603326-10	Standard	4.78	706613-12X	706695X	706696X	706616X	27552-5X	27552-6X
603326-11	Standard	4.89	706613-13X	706695X	706696X	706616X	27552-5X	27552-6X
603326-12	Standard	4.89	706613-13X	706695X	706696X	706616X	27552-5X	27552-6X
603326-13	Standard	3.07	706613-2X	706614X	706615X	706616X	27552-5X	27552-6X
1973 1/2-75 100, 1100 1/2 Ton Pick-up & Station Wagon								
603477-1	Standard	3.54	706613-4X	706614X	706615X	706616X	28381-3X	28381-4X
603477-3	Standard	3.73	706613-6X	706614X	706615X	706616X	28381-3X	28381-4X
603477-5	Standard	4.09	706613-5X	706695X	706696X	706616X	28381-3X	28381-4X
603477-13	Standard	3.07	706613-2X	706614X	706615X	706616X	28381-3X	28381-4X
603477-15	Standard	3.07	706613-11X	706614X	706615X	706616X	28381-3X	28381-4X
1967-68 200, 1200 3/4 Ton Pick-up & Station Wagon								
602507-1	Standard	4.09	706613-5X	706695X	706696X	706616X	903212-3	903212-4
602507-2	Standard	4.78	706613-12X	706695X	706696X	706616X	903212-3	903212-4
602507-3	Standard	4.89	706613-13X	706695X	706696X	706616X	903212-3	903212-4
602507-4	Powr-Lok	4.09	706613-5X	25596X	23436X	— ⁽⁹⁾	903212-3	903212-4
602507-5	Powr-Lok	4.78	706613-12X	25596X	23436X	— ⁽⁹⁾	903212-3	903212-4
602507-6	Powr-Lok	4.89	706613-13X	25596X	23436X	— ⁽⁹⁾	903212-3	903212-4
602507-7	Standard	4.09	706613-5X	706695X	706696X	706616X	903212-3	903212-4
602507-8	Standard	4.78	706613-12X	706695X	706696X	706616X	903212-3	903212-4
602507-9	Standard	4.89	706613-13X	706695X	706696X	706616X	903212-3	903212-4
602507-10	Powr-Lok	4.09	706613-5X	25596X	23436X	— ⁽⁹⁾	903212-3	903212-4
602507-11	Powr-Lok	4.78	706613-12X	25596X	23436X	— ⁽⁹⁾	903212-3	903212-4
602507-12	Powr-Lok	4.89	706613-13X	25596X	23436X	— ⁽⁹⁾	903212-3	903212-4
602508-1	Standard	4.09	706613-5X	706695X	706696X	706616X	903212-3	903212-4
602508-2	Standard	4.78	706613-12X	706695X	706696X	706616X	903212-3	903212-4
602508-3	Standard	4.89	706613-13X	706695X	706696X	706616X	903212-3	903212-4
602508-4	Powr-Lok	4.09	706613-5X	25596X	23436X	— ⁽⁹⁾	903212-3	903212-4
602508-5	Powr-Lok	4.78	706613-12X	25596X	23436X	— ⁽⁹⁾	903212-3	903212-4
602508-6	Powr-Lok	4.89	706613-13X	25596X	23436X	— ⁽⁹⁾	903212-3	903212-4
1969-71 200, 1200 3/4 Ton Pick-up & Station Wagon								
603192-1	Standard	3.73	706613-6X	706614X	706615X	706616X	903212-3	903212-4
603192-3	Standard	4.09	706613-5X	706695X	706696X	706616X	903212-3	903212-4
603192-4	Powr-Lok	4.09	706613-5X	25596X	23436X	— ⁽⁹⁾	903212-3	903212-4
603192-7	Standard	3.73	706613-6X	706614X	706615X	706616X	903212-3	903212-4
603192-9	Standard	4.09	706613-5X	706695X	706696X	706616X	903212-3	903212-4
603192-13	Standard	4.89	706613-13X	706695X	706696X	706616X	903212-3	903212-4
603192-15	Standard	4.89	706613-13X	706695X	706696X	706616X	903212-3	903212-4

(7) See Ring Gear & Pinion Kits in XGI Catalog for ratio & tooth combinations.

(8) See Differential Case Assy Kits in XGI Catalog for spline data & ratios.

(9) Use internal parts from Case Assembly Kit

IHC Model 44 Front Axles

Bill of Material Table

Axle			Axle Kits				Shaft & Joint Assy.	
Bill of Material	Diff. Type	Ratio	Ring Gear & Pinion Kit ⁽⁷⁾	Differential			Right Hand Shaft Assy.	Left Hand Shaft Assy.
				Case Assy. Kit ⁽⁸⁾	Case Kit	Inner Parts Kit		
1971 1/2-74 200, 1200 3/4 Ton Pick-up & Station Wagon								
603327-1	Standard	3.54	706613-4X	706614X	706615X	706616X	27607-1X	27607-5X
603327-2	Standard	3.54	706613-4X	706614X	706615X	706616X	27607-1X	27607-5X
603327-3	Standard	3.73	706613-6X	706614X	706615X	706616X	27607-1X	27607-5X
603327-4	Standard	3.73	706613-6X	706614X	706615X	706616X	27607-1X	27607-5X
603327-5	Standard	4.09	706613-5X	706695X	706696X	706616X	27607-1X	27607-5X
603327-6	Standard	4.09	706613-5X	706695X	706696X	706616X	27607-1X	27607-5X
603327-11	Standard	4.89	706613-13X	706695X	706696X	706616X	27607-1X	27607-5X
1973 1/2-75 200, 1200 3/4 Ton Pick-up & Station Wagon								
603478-1	Standard	3.54	706613-4X	706614X	706615X	706616X	28173-5X	28173-6X
603478-3	Standard	3.73	706613-6X	706614X	706615X	706616X	28173-5X	28173-6X
603478-5	Standard	4.09	706613-5X	706695X	706696X	706616X	28173-5X	28173-6X
603478-11	Standard	4.89	706613-13X	706695X	706696X	706616X	28173-5X	28173-6X
1967-68 200, 1200 3/4 Ton Heavy Duty Pick-up & Station Wagon								
602486-1	Standard	4.09	706613-5X	706695X	706696X	706616X	903212-3	903212-4
602486-2	Standard	4.78	706613-12X	706695X	706696X	706616X	903212-3	903212-4
602486-3	Standard	4.89	706613-13X	706695X	706696X	706616X	903212-3	903212-4
602486-4	Powr-Lok	4.09	706613-5X	25596X	23436X	— ⁽⁹⁾	903212-3	903212-4
602486-5	Powr-Lok	4.78	706613-12X	25596X	23436X	— ⁽⁹⁾	903212-3	903212-4
602486-6	Powr-Lok	4.89	706613-13X	25596X	23436X	— ⁽⁹⁾	903212-3	903212-4
602486-7	Standard	4.09	706613-5X	706695X	706696X	706616X	903212-3	903212-4
602486-8	Standard	4.78	706613-12X	706695X	706696X	706616X	903212-3	903212-4
602486-9	Standard	4.89	706613-13X	706695X	706696X	706616X	903212-3	903212-4
602486-10	Powr-Lok	4.09	706613-5X	25596X	23436X	— ⁽⁹⁾	903212-3	903212-4
602486-11	Powr-Lok	4.78	706613-12X	25596X	23436X	— ⁽⁹⁾	903212-3	903212-4
602486-12	Powr-Lok	4.89	706613-13X	25596X	23436X	— ⁽⁹⁾	903212-3	903212-4
602486-13	Standard	4.55	706613-8X	706695X	706696X	706616X	903212-3	903212-4
602486-14	Powr-Lok	4.55	706613-8X	25596X	23436X	— ⁽⁹⁾	903212-3	903212-4
602486-15	Standard	4.27	706613-7X	706695X	706696X	706616X	903212-3	903212-4
602486-16	Standard	4.27	706613-7X	706695X	706696X	706616X	903212-3	903212-4
602486-17	Standard	4.55	706613-8X	706695X	706696X	706616X	903212-3	903212-4
602486-18	Powr-Lok	4.55	706613-8X	25596X	23436X	— ⁽⁹⁾	903212-3	903212-4
1968 1/2-75 200, 1200 3/4 Ton Heavy Duty Pick-up & Station Wagon								
603057-1	Standard	4.09	706613-5X	706695X	706696X	706616X	903212-3	903212-4
603057-3	Standard	4.89	706613-13X	706695X	706696X	706616X	903212-3	903212-4
603057-4	Powr-Lok	4.09	706613-5X	25596X	23436X	— ⁽⁹⁾	903212-3	903212-4
603057-6	Powr-Lok	4.89	706613-13X	25596X	23436X	— ⁽⁹⁾	903212-3	903212-4
603057-7	Standard	4.09	706613-5X	706695X	706696X	706616X	903212-3	903212-4
603057-9	Standard	4.89	706613-13X	706695X	706696X	706616X	903212-3	903212-4
603057-10	Powr-Lok	4.09	706613-5X	25596X	23436X	— ⁽⁹⁾	903212-3	903212-4
603057-12	Powr-Lok	4.89	706613-13X	25596X	23436X	— ⁽⁹⁾	903212-3	903212-4
603057-19	Standard	3.73	706613-6X	706614X	706615X	706616X	903212-3	903212-4
603057-20	Standard	3.73	706613-6X	706614X	706615X	706616X	903212-3	903212-4
603057-21	Trac-Lok	4.09	706613-5X	706658X	706658X	706659X	903212-3	903212-4
603057-29	Standard	4.89	706613-13X	706695X	706696X	706616X	903212-3	903212-4
603057-30	Standard	3.54	706613-4X	706614X	706615X	706616X	903212-3	903212-4

(7) See Ring Gear & Pinion Kits in XGI Catalog for ratio & tooth combinations.

(8) See Differential Case Assy Kits in XGI Catalog for spline data & ratios.

(9) Use internal parts from Case Assembly Kit

IHC Model 44 Front Axles

Bill of Material Table

Axle			Axle Kits				Shaft & Joint Assy.	
Bill of Material	Diff. Type	Ratio	Ring Gear & Pinion Kit ⁽⁷⁾	Differential			Right Hand Shaft Assy.	Left Hand Shaft Assy.
				Case Assy. Kit ⁽⁸⁾	Case Kit	Inner Parts Kit		
1973 Scout II, Traveler								
603453-2	Standard	3.31	706613-11X	706614X	706615X	706616X	27749-1X	27749-2X
603453-3	Standard	3.73	706613-6X	706614X	706615X	706616X	27749-1X	27749-2X
603453-5	Standard	4.27	706613-7X	706695X	706696X	706616X	27749-1X	27749-2X
1974-75 Scout II, Traveler								
603564-1	Standard	3.07	706613-2X	706614X	706615X	706616X	28381-1X	28381-2X
603564-2	Standard	3.31	706613-11X	706614X	706615X	706616X	28381-1X	28381-2X
603564-3	Standard	3.73	706613-6X	706614X	706615X	706616X	28381-1X	28381-2X
603564-4	Standard	4.09	706613-5X	706695X	706696X	706616X	28381-1X	28381-2X
603564-5	Standard	4.27	706613-7X	706695X	706696X	706616X	28381-1X	28381-2X
603564-8	Standard	3.54	706613-4X	706614X	706615X	706616X	28381-1X	28381-2X
1978 Scout II, Traveler								
610035-1	Standard	3.07	706613-2X	706614X	706615X	706616X	28381-1X	28381-2X
610035-2	Standard	3.54	706613-4X	706614X	706615X	706616X	28381-1X	28381-2X
610035-3	Standard	4.09	706613-5X	706695X	706696X	706616X	28381-1X	28381-2X
610035-4	Standard	4.27	706613-7X	706695X	706696X	706616X	28381-1X	28381-2X
610035-5	Standard	3.73	706613-6X	706614X	706615X	706616X	28381-1X	28381-2X
1978 Scout II, Traveler - Dead Front								
Use Bill of Material 610034								

(7) See Ring Gear & Pinion Kits in XGI Catalog for ratio & tooth combinations.

(8) See Differential Case Assy Kits in XGI Catalog for spline data & ratios.

(9) Use internal parts from Case Assembly Kit

IHC Model 44 Front Axles

Axle Kits & Parts - Use with All Applications

Description & Item Number (Refer to "Exploded View" at the front of this section)		Bills of Material				
		602486	602507	602508	602921	602922
Inner Pinion Bearing Kit	4	706031X	706031X	706031X	706031X	706031X
Pinion & Bearing Adjusting Shim (inc. items 5, 7, 12, 13, 16)	—	706617X	706617X	706617X	706617X	706617X
Differential & Pinion Shim (inc. items 5, 7, 12, 13, 16, 22)	—	706619X	706619X	706619X	706619X	706619X
Outer Pinion Bearing	8	706030X	706030X	706030X	706030X	706030X
Carrier Cover (inc. 15, 16, 17, 18)	—	706095X	706095X	706095X	706095X	706095X
Differential Bearing Adj. Shim (16, 22)	—	706618X	706618X	706618X	706618X	706618X
Differential Bearing	21	706032X	706032X	706032X	706032X	706032X
Steering Knuckle Assembly - RH (inc. items 32, 33, 34, 36, 41)	—	— ⁽¹⁾	— ⁽¹⁾	— ⁽¹⁾	— ⁽¹⁾	— ⁽¹⁾
Steering Knuckle Assembly - LH	N.I.	27694X	— ⁽¹⁾	— ⁽¹⁾	— ⁽¹⁾	27694X
Socket Assy (32,33,34,35,36,37, 38)		35183	—	30354	—	30354
Upper		—	32413	—	32413	—
Lower		—	30354	—	30354	—
Steering Arm	N.I.	—	23037-1X	23037-1X	26584-1X	23657X
Wheel Spindle Seal & Bearing (inc. items 47, 48, 49, 50)		—	—	—	—	—
Wheel Bearing Spindle (inc. items 47, 48, 49, 50, 51 or 78)		22210X	22210X	22210X	22137X	22137X
Inner Wheel Bearing	54/76	706216X	706216X	706216X	706110X	706110X
Outer Wheel Bearing	56/74	706216X	706216X	706216X	706111X	706111X
		603057	603192	603193	603326	603327
Inner Pinion Bearing Kit	4	706031X	706031X	706031X	706031X	706031X
Pinion & Bearing Adjusting Shim (inc. items 5, 7, 12, 13, 16)	—	706617X	706617X	706617X	706617X	706617X
Differential & Pinion Shim (inc. items 5, 7, 12, 13, 16, 22)	—	706619X	706619X	706619X	706619X	706619X
Outer Pinion Bearing	8	706030X	706030X	706030X	706030X	706030X
Carrier Cover (inc. 15, 16, 17, 18)	—	706095X	706095X	706095X	706095X	706095X
Differential Bearing Adj. Shim (16, 22)	—	706618X	706618X	706618X	706618X	706618X
Differential Bearing	21	706032X	706032X	706032X	706032X	706032X
Steering Knuckle Assembly - RH (inc. items 32, 33, 34, 36, 41)	—	27866X	— ⁽¹⁾	— ⁽¹⁾	27694X	27694X
Steering Knuckle Assembly - LH	N.I.	27867X	— ⁽¹⁾	— ⁽¹⁾	27807X	27807X
Socket Assy (32,33,34,35,36,37, 38)		35183	30354	30354	706116X	706116X
Steering Arm	N.I.	—	—	—	—	—
Wheel Spindle Seal & Bearing (inc. items 47, 48, 49, 50)		—	—	—	—	—
Wheel Bearing Spindle (inc. items 47, 48, 49, 50, 51 or 78)		26283X	26283X	22137X	27808X	— ⁽¹⁾
Inner Wheel Bearing	54/76	— ⁽¹⁾	— ⁽¹⁾	706110X	706110X	— ⁽¹⁾
Outer Wheel Bearing	56/74	— ⁽¹⁾	— ⁽¹⁾	706111X	706111X	— ⁽¹⁾

(1) Contact Vehicle Manufacturer

IHC Model 44 Front Axles

Axle Kits & Parts - Use with All Applications

Description & Item Number (Refer to "Exploded View" at the front of this section)		Bills of Material				
		603453	603477	603478	603564	610034
Inner Pinion Bearing Kit	4	706031X	706031X	706031X	706031X	—
Pinion & Bearing Adjusting Shim (inc. items 5, 7, 12, 13, 16)	—	706617X	706617X	706617X	706617X	—
Differential & Pinion Shim (inc. items 5, 7, 12, 13, 16, 22)	—	706619X	706619X	706619X	706619X	—
Outer Pinion Bearing	8	706030X	706030X	706030X	706030X	—
Carrier Cover (inc. 15, 16, 17, 18)	—	706095X	706095X	706095X	706095X	—
Differential Bearing Adj. Shim (16, 22)	—	706618X	706618X	706618X	706618X	—
Differential Bearing	21	706032X	706032X	706032X	706032X	—
Steering Knuckle Assembly - RH (inc. items 32, 33, 34, 36, 41)	—	706330X	706164X	706164X	706194X	706194X
Steering Knuckle Assembly - LH	N.I.	706331X	706165X	706165X	706195X	706195X
Socket Assy (32,33,34,35,36,37, 38)		706116X	706116X	706116X	706116X	706116X
Steering Arm	N.I.	706144X	706170X	706170X	—	—
Wheel Spindle Seal & Bearing (inc. items 47, 48, 49, 50)		706527X	706527X	706109X	706527X	—
Wheel Bearing Spindle (inc. items 47, 48, 49, 50, 51 or 78)		706281X	706533X	706168X	706171X	—
Inner Wheel Bearing	54/76	706110X	— ⁽¹⁾	— ⁽¹⁾	— ⁽¹⁾	—
Outer Wheel Bearing	56/74	706111X	706111X	— ⁽¹⁾	706111X	—
		610035				
Inner Pinion Bearing Kit	4	706031X				
Pinion & Bearing Adjusting Shim (inc. items 5, 7, 12, 13, 16)	—	706617X				
Differential & Pinion Shim (inc. items 5, 7, 12, 13, 16, 22)	—	706619X				
Outer Pinion Bearing	8	706030X				
Carrier Cover (inc. 15, 16, 17, 18)	—	706094X				
Differential Bearing Adj. Shim (16, 22)	—	706618X				
Differential Bearing	21	706032X				
Steering Knuckle Assembly - RH (inc. items 32, 33, 34, 36, 41)	—	706194X				
Steering Knuckle Assembly - LH	N.I.	706195X				
Socket Assy (32,33,34,35,36,37, 38)		706116X				
Steering Arm	N.I.	—				
Wheel Spindle Seal & Bearing (inc. items 47, 48, 49, 50)		706527X				
Wheel Bearing Spindle (inc. items 47, 48, 49, 50, 51 or 78)		700026				
Inner Wheel Bearing	54/76	— ⁽¹⁾				
Outer Wheel Bearing	56/74	706111X				

(1) Contact Vehicle Manufacturer

Miscellaneous Small Parts- Use with All Applications

Description & Item Number (Refer to "Exploded View" at the front of this section)		Bills of Material				
		602486	602507	602508	602921 602922	603057
Seal & Guide Tube	31	—	—	36352	—	—
Seal	—	32542-1	32542-1	—	32542-1	32542-1
Guide	—	30703	30703	—	30703	30703
Stop Screw	39	30902	31026-1	31026-1	31026-1	30902
Jam Nut	40	500381-3	500381-3	500381-3	500381-3	500381-3
Oil Seal	47	—	—	—	—	—
Spacer - Wheel Bearing Spindle	48	—	—	—	—	—
Oil Seal - Block Vee	49	—	—	—	—	—
Needle Bearing Assembly	50	30339	30339	30339	30339	30339
Nut - Brake Mounting	52	30688	30688	30688	30688	30688
Oil Seal	53	30348	— ⁽¹⁾	30348	—	— ⁽¹⁾
Wheel Hub	55	— ⁽¹⁾	— ⁽¹⁾	— ⁽¹⁾	—	— ⁽¹⁾
Lockwasher-Wheel Bearing	57	30342	30342	30342	—	30342
Nut-Wheel Bearing	58	30350	30350	30350	—	30350
Lockwasher-Wheel Bearing Nut	59	30343	30343	30343	—	30343
Gasket-Drive Flange	60	30344	30344	30344	—	30344
Flange-Axle Drive	61	30340	30340	30340	—	30340
Snap Ring	62	31624	31624	31624	31624	31624
Hub Cap	63	32001	32001	32001	—	32001
Nut	64	500371-3	— ⁽¹⁾	— ⁽¹⁾	—	500371-3
Lockwasher	65	501209-3	— ⁽¹⁾	— ⁽¹⁾	—	501209-3
Stud	66	31017	— ⁽¹⁾	— ⁽¹⁾	—	31017
Hub Cap	67	—	—	—	31152	—
Axle Drive Gear	68	—	—	—	31125	—
Pressure Spring	69	—	—	—	—	—
Plate-Spring Retaining	70	—	—	—	26124X ⁽⁴⁾	—
Wheel Bearing Adjusting Nut	71	—	—	—	31139	—
Retaining Lock Nut	72	—	—	—	36569	—
Nut & Pin Assembly-Inner Lock	73	—	—	—	21588X	—
Wheel Hub	75	—	—	—	— ⁽¹⁾	—
Oil Seal	77	—	—	—	34611	—
Hub Lock Assembly	N.I.	27369-3X	27369-3X	26133-3X	27369-3X	27369-3X

(1) Contact Vehicle Manufacturer

(4) Includes Pressure Spring

IHC Model 44 Front Axles

Miscellaneous Small Parts- Use with All Applications

Description & Item Number (Refer to "Exploded View" at the front of this section)		Bills of Material				
		603192	603193	603326	603327	603453
Seal & Guide Tube	31	—	—	36352	36352	36352
Seal	—	32542-1	32542-1	—	—	—
Guide	—	30703	30703	—	—	—
Stop Screw	39	31026-1	31026-1	31026-1	31026-1	31026-1
Jam Nut	40	500381-3	500381-3	500381-3	500381-3	500381-3
Oil Seal	47	—	—	34783	34783	34783
Spacer - Wheel Bearing Spindle	48	—	—	35986	35986	35986
Oil Seal - Block Vee	49	—	—	—	—	—
Needle Bearing Assembly	50	30339	30339	550759	550759	550759
Nut - Brake Mounting	52	30688	30688	— ⁽¹⁾	— ⁽¹⁾	— ⁽¹⁾
Oil Seal	53	— ⁽¹⁾	—	—	34611	— ⁽¹⁾
Wheel Hub	55	— ⁽¹⁾	—	—	— ⁽¹⁾	— ⁽¹⁾
Lockwasher-Wheel Bearing	57	—	—	—	—	17015
Nut-Wheel Bearing	58	30350	—	—	30350	17016
Lockwasher-Wheel Bearing Nut	59	30343	—	—	30343	17017
Gasket-Drive Flange	60	30344	—	—	30344	18188
Flange-Axle Drive	61	30340	—	—	30340	36436
Snap Ring	62	31624	31624	31624	31624	18270
Hub Cap	63	32001	—	—	32001	32001
Nut	64	— ⁽¹⁾	—	—	— ⁽¹⁾	— ⁽¹⁾
Lockwasher	65	— ⁽¹⁾	—	—	— ⁽¹⁾	501209-3
Stud	66	— ⁽¹⁾	—	—	— ⁽¹⁾	—
Hub Cap	67	—	31152	31152	—	—
Axle Drive Gear	68	—	31125	31125	—	—
Pressure Spring	69	—	35218	35218	—	—
Plate-Spring Retaining	70	—	32589	32589	—	—
Wheel Bearing Adjusting Nut	71	—	31139	31139	—	—
Retaining Lock Nut	72	—	36569	36569	—	—
Nut & Pin Assembly-Inner Lock	73	—	21588X	21588X	—	—
Wheel Hub	75	—	— ⁽¹⁾	— ⁽¹⁾	—	—
Oil Seal	77	—	34611	34611	—	—
Hub Lock Assembly	N.I.	27369-3X	26133-3X	26133-3X	27369-3X	—

(1) Contact Vehicle Manufacturer

(4) Includes Pressure Spring

Miscellaneous Small Parts- Use with All Applications

Description & Item Number (Refer to "Exploded View" at the front of this section)		Bills of Material				
		603477	603478	603564	610034	610035
Seal & Guide Tube	31	36352	36352	36352	—	36352
Stop Screw	39	31026-1	31026-1	31026-1	31026-1	31026-1
Jam Nut	40	500381-3	500381-3	500381-3	500381-3	500381-3
Oil Seal	47	38128	38128	38128	—	38128
Spacer - Wheel Bearing Spindle	48	38106	38106	38106	—	38106
Oil Seal - Block Vee	49	36361	—	—	—	36361
Needle Bearing Assembly	50	550759	550759	550759	—	550759
Nut - Brake Mounting	52	35704	35704	— ⁽¹⁾	— ⁽¹⁾	— ⁽¹⁾
Oil Seal	53	— ⁽¹⁾	—	—	34611	— ⁽¹⁾
Wheel Hub	55	— ⁽¹⁾	— ⁽¹⁾	— ⁽¹⁾	— ⁽¹⁾	— ⁽¹⁾
Lockwasher-Wheel Bearing	57	—	—	—	—	17015
Nut-Wheel Bearing	58	30350	—	—	30350	17016
Lockwasher-Wheel Bearing Nut	59	30343	—	—	30343	17017
Gasket-Drive Flange	60	18188	30344	18188	—	18188
Flange-Axle Drive	61	36436	30340	36436	—	36436
Snap Ring	62	18270	31624	18270	—	18270
Hub Cap	63	32001	32001	32001	— ⁽¹⁾	32001
Nut	64	— ⁽¹⁾	— ⁽¹⁾	— ⁽¹⁾	— ⁽¹⁾	— ⁽¹⁾
Lockwasher	65	501209-3	— ⁽¹⁾	501209-3	501209-3	501209-3
Stud	66	—	— ⁽¹⁾	—	—	—
Hub Cap	67	—	—	—	—	—
Axle Drive Gear	68	—	—	—	—	—
Pressure Spring	69	—	—	—	—	—
Plate-Spring Retaining	70	—	—	—	—	—
Wheel Bearing Adjusting Nut	71	—	—	—	—	—
Retaining Lock Nut	72	— ⁽¹⁾	— ⁽¹⁾	— ⁽¹⁾	— ⁽¹⁾	— ⁽¹⁾
Nut & Pin Assembly-Inner Lock	73	— ⁽¹⁾	— ⁽¹⁾	— ⁽¹⁾	— ⁽¹⁾	— ⁽¹⁾
Wheel Hub	75	—	—	—	—	—
Oil Seal	77	—	—	—	—	—
Hub Lock Assembly	N.I.	—	27369-3X	—	—	—

(1) Contact Vehicle Manufacturer
(4) Includes Pressure Spring

IHC Model 44 Front Axles Kit Components



ITEM NO.	DESCRIPTION	ITEM NO.	DESCRIPTION	ITEM NO.	DESCRIPTION
Drive Pinion & Gear Assembly		Differential Case Assembly (Trac-Lok)		Differential Parts (Powr-Lok)	
2	Drive Pinion & Gear Assembly	16	Carrier Cover Gasket / Sealant	16	Carrier Cover Gasket / Sealant
3	Slinger – Inner Pinion Bearing	21	KIT – Differential Bearing	90	Shaft – Differential
4	KIT – Inner Pinion Bearing	22	Shim – Differential Bearing	91	Pinion – Differential
5	Inner Pinion Shims	24	Bolt – Drive Gear	92	Gear – Differential
6	Baffle – Pinion Bearing	25	Pinion – Differential	93	Ring – Differential Gear
7	Outer Pinion Shims	27	Thrustwasher – Diff. Pinion	94	Plate – Differential
8	KIT – Outer Pinion Bearing	79	Case – Differential	95	Disc – Differential
9	Slinger – Outer Pinion Bearing	80	Gear – Differential	96	Disc – Differential (dished)
10	Seal – Pinion Oil	81	Shaft – Differential	97	Plate – Differential (dished)
12	Washer – Pinion Nut	82	Snap Ring		
13	Pinion Nut	83	Spacer – Diff. Gear (dished)	Differential Parts (Trac-Lok)	
16	Carrier Cover Gasket / Sealant	84	Plate – Differential	16	Carrier Cover Gasket / Sealant
22	Shim – Differential Bearing	85	Disc – Differential	24	Bolt – Drive Gear
24	Bolt – Drive Gear	86	Plate – Differential	25	Pinion – Differential
		87	Clip – Diff. Clutch Retainer	27	Thrustwasher – Diff. Pinion
Differential Case Assembly (standard)		Differential Case (standard)		80	Gear – Differential
16	Carrier Cover Gasket / Sealant	16	Carrier Cover Gasket / Sealant	81	Shaft – Differential
21	KIT – Differential Bearing	22	Shim – Differential Bearing	82	Snap Ring
22	Shim – Differential Bearing	22	Shim – Differential Bearing	83	Spacer – Diff. Gear (dished)
23	Case – Differential	23	Case – Differential	84	Plate – Differential
24	Bolt – Drive Gear	24	Bolt – Drive Gear	85	Disc – Differential
25	Pinion – Differential	30	Lock – Differential Shaft	86	Plate – Differential
26	Gear – Differential			87	Clip – Diff. Clutch Retainer
27	Thrustwasher – Diff. Pinion	Differential Case (Powr-Lok)			
28	Thrustwasher – Diff. Gear	16	Carrier Cover Gasket / Sealant		
29	Shaft – Differential Pinion	22	Shim – Differential Bearing		
30	Lock – Differential Shaft	24	Bolt – Drive Gear		
		88	Flange Half – Differential Case		
Differential Case Assembly (Powr-Lok)		89	Cap Half – Differential Case		
16	Carrier Cover Gasket / Sealant	98	Bolt – Differential Case		
21	KIT – Differential Bearing				
22	Shim – Differential Bearing	Differential Case (Trac-Lok)			
24	Bolt – Drive Gear	16	Carrier Cover Gasket / Sealant		
88	Flange Half – Differential Case	22	Shim – Differential Bearing		
89	Cap Half – Differential Case	24	Bolt – Drive Gear		
90	Shaft – Differential	79	Case – Differential		
91	Pinion – Differential	82	Snap Ring		
92	Gear – Differential				
93	Ring – Differential Gear	Differential Parts (standard)			
94	Plate – Differential	16	Carrier Cover Gasket / Sealant		
95	Disc – Differential	24	Bolt – Drive Gear		
96	Disc – Differential (dished)	25	Pinion – Differential		
97	Plate – Differential (dished)	26	Gear – Differential		
98	Bolt – Differential Case	27	Thrustwasher – Diff. Pinion		
		28	Thrustwasher – Diff. Gear		
		29	Shaft – Differential Pinion		
		30	Lock – Differential Shaft		

When replacing Carrier Cover Gasket, replace with same type originally used. RTV tube gasket recommended for use on flat flange type cover. Paper or cork gasket recommended for use on ribbed flange cover.

IHC Model 44 Front Axles

Axle Shaft Dimensions

Complete Assembly Number	Inner Shaft - Side Gear End			Outer Shaft - Spline End			Axle Shaft & Joint Assembly		
	Major Spline Diameter	Centerline to End of Spline	Yoke Shaft Part Number	Major Spline Diameter	Centerline to End of Spline	Yoke Shaft Part Number	Side	Overall Length	Cross & Bearing Kit
27552-5X	1 5/16" -30	17 49/64"	27533-3X	1 1/4" -19	9 23/32"	36335	Right	27 15/32"	5-260X
27552-6X	1 5/16" -30	36"	27533-15X	1 1/4" -19	9 23/32"	36335	Left	45 23/32"	5-260X
27607-1X	1 5/16" -30	17 49/64"	27533-3X	1 1/4" -19	8 51/64"	36281	Right	26 9/16"	5-260X
27607-5X	1 5/16" -30	36"	27533-15X	1 1/4" -19	8 51/64"	36281	Left	44 51/64"	5-260X
27749-1X	1 5/16" -30	14 25/32"	27553-12X	1 5/32" -27	8 23/32"	2-82-1371	Right	23 1/2"	5-260X
27749-2X	1 5/16" -30	32 29/32"	27553-13X	1 5/32" -27	8 23/32"	2-82-1371	Left	41 5/8"	5-260X
28173-5X	1 5/16" -30	18 9/64"	27902-23X	1 1/4" -19	8 51/64"	36666	Right	26 5/16"	5-297X
28173-6X	1 5/16" -30	35 41/64"	27902-24X	1 1/4" -19	8 51/64"	36666	Left	44 7/16"	5-297X
28381-1X	1 5/16" -30	14 25/32"	27902-13X	1 5/32" -27	8 23/32"	36859	Right	23 1/2"	5-297X
28381-2X	1 5/16" -30	32 29/32"	27902-14X	1 5/32" -27	8 23/32"	36859	Left	41 5/8"	5-297X
28381-3X	1 5/16" -30	18 9/64"	27902-23X	1 5/32" -27	8 23/32"	36859	Right	26 55/64"	5-297X
28381-4X	1 5/16" -30	35 41/64"	27902-24X	1 5/32" -27	8 23/32"	36859	Left	44 23/64"	5-297X
206032-5	1 5/16" -30	17 49/64"	27656-5X	1 1/4" -19	9 17/32"	660118-1	Right	27 19/64"	5-74X
206032-6	1 5/16" -30	36"	27656-6X	1 1/4" -19	9 17/32"	660118-1	Left	45 1/32"	5-74X
903212-3	1 5/16" -30	17 3/4"	3-82-471-7	1 1/4" -19	9 5/32"	3-82-431	Right	26 29/32"	5-86X
903212-4	1 5/16" -30	36"	3-82-471-8	1 1/4" -19	9 5/32"	3-82-431	Left	45 5/32"	5-86X
903213-3	1 5/16" -30	17 3/4"	2-82-551-7	1 1/4" -19	8 5/8"	2-82-181	Right	26 3/8"	5-74X
903213-4	1 5/16" -30	36"	2-82-551-8	1 1/4" -19	8 5/8"	2-82-181	Left	44 5/8"	5-74X

(7) See Ring Gear & Pinion Kits in XGI Catalog for ratio & tooth combinations.
 (8) See Differential Case Assy Kits in XGI Catalog for spline data & ratios.

IHC 1967-1978

Model 44 Rear Axles for

100, 1100 4 x 2 1/2 Ton Pick-up & Station Wagon

100, 1100 4 x 4 1/2 Ton Pick-up & Station Wagon

900, 1000 Pick-up & Station Wagon

Metro Van

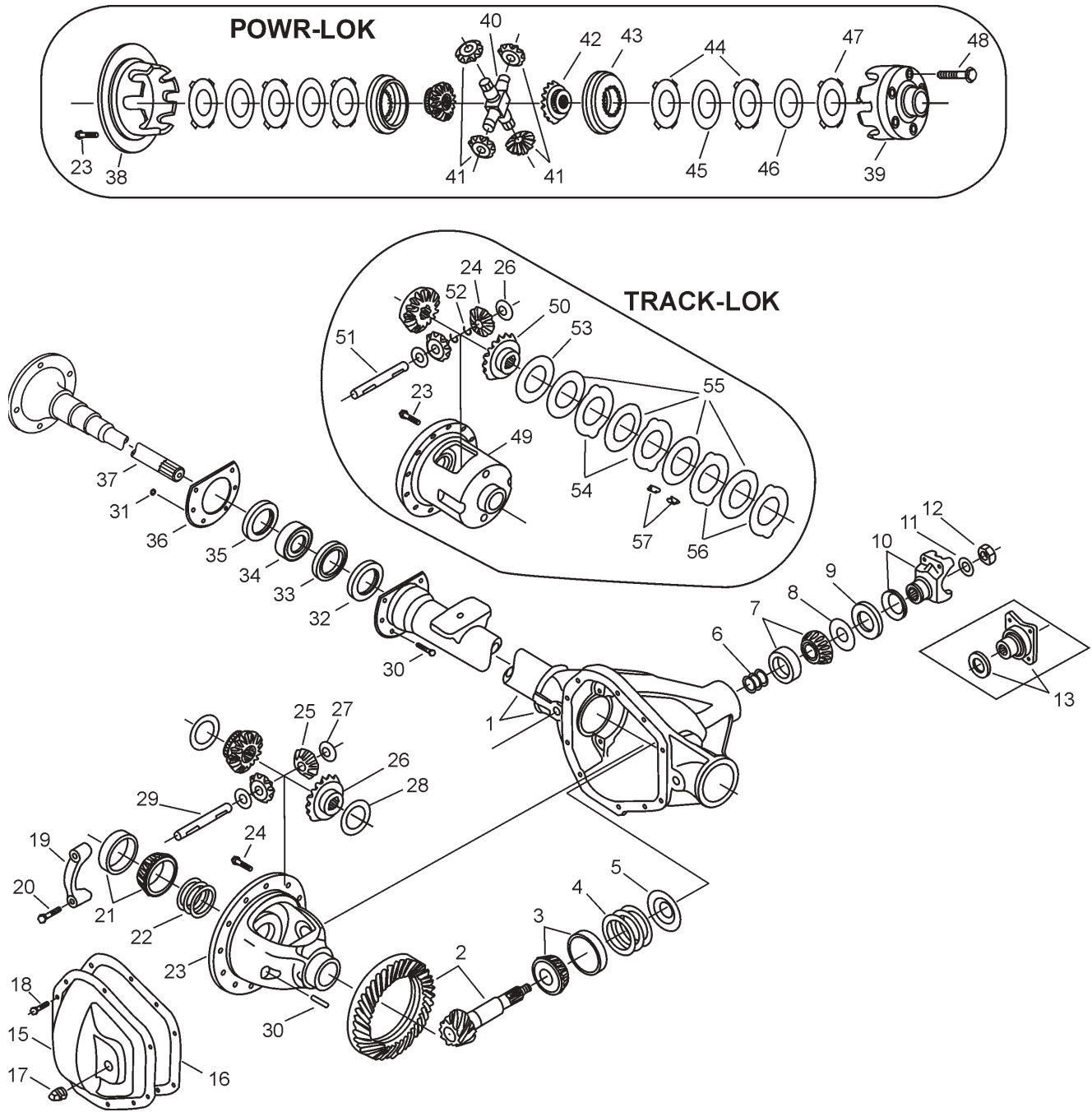
Multi-Stop

Scout I

Scout II

Traveler

IHC Model 44 Rear Axles Exploded View



Miscellaneous Small Parts

BILL OF MATERIAL BASE NUMBER	Brake Mounting		Inboard Shaft Seal (item 32)	Wheel Bearing Retaining Ring (item 33)	Wheel Bearing Assembly (item 34)	Outboard Shaft Seal (item 35)	Oil Seal Retainer (item 36)
	Bolt (item 30)	Nut (item 31)					
602916, 602917, 603034	30175	30137	34419	32755	{550707 550708} (10)	32758	32762
603444, 603489, 603493, 603800	38456	36880	34419	32755	565903	35239	35238
603121, 603162, 603258	30175	30137	34419	32755	565903	35239	35238
603882	38456	36880	—	32755	565903	35239	35238
602757, 602962	30175	30137	34419	—	— (3)	— (3)	— (3)

(3) Contact Vehicle Manufacturer for Service

(10) Not a Kit (1 each required for applications listed)

IHC Model 44 Rear Axles Parts Listing

ITEM NO.	PART IDENTIFICATION	ITEM NO.	PART IDENTIFICATION	ITEM NO.	PART IDENTIFICATION
1 ⁽¹⁾	Housing – Axle Service	20	KIT – Differential Bearing	39	Cap Half – Differential Case
2	Drive Pinion & Gear Assembly	21	PKG – Diff Bearing Shim (inc 15)	40	Shaft – Differential
3	KIT – Inner Pinion Bearing	22	Case – Differential	41	Pinion – Differential
4	Inner Pinion Bearing Shims	23	Bolt – Drive Gear	42	Gear – Differential
5	Baffle – Pinion Bearing	24	Pinion – Differential	43	Ring – Differential Gear
6	Outer Pinion Bearing Shims	25	Gear – Differential	44	Plate – Differential
7	KIT – Outer Pinion Bearing	26	Thrustwasher – Diff Pinion	45	Disc – Differential
8	Slinger – Outer Pinion Bearing	27	Thrustwasher – Diff Gear	46	Disc – Differential (dished)
9	Seal – Pinion Oil	28	Shaft – Differential	47	Plate – Differential (dished)
10 ⁽²⁾	End Yoke Assembly	29	Lock – Differential Shaft	48	Bolt – Differential Case
11	Washer – Pinion Nut	30	Bolt – Brake Mounting	49	Case – Differential
12	Pinion Nut	31	Nut – Brake Mounting	50	Gear – Differential
13 ⁽²⁾	Companion Flange Assembly	32	Seal – Inboard Shaft	51	Shaft – Differential
14	Carrier Cover	33	Retainer Ring – Wheel Bearing	52	Snap Ring
15	Gasket – Carrier Cover	34	Wheel Bearing Assembly	53	Spacer – Diff. Gear (dished)
16	Plug – Carrier Cover	35	Seal – Outboard Shaft	54	Plate – Differential
17	Bolt – Carrier Cover	36	Retainer – Oil Seal	55	Disc – Differential
18 ⁽¹⁾	Cap – Differential Bearing	37	Axle Shaft Assembly	56	Plate – Differential
19 ⁽¹⁾	Bolt – Differential Bearing Cap	38	Flange Half – Differential Case	57	Clip – Diff. Clutch Retainer

(1) Contact Vehicle Manufacturer

(2) See Spicer Driveline Catalog J300P Section 10

Check availability on all Powr-Lok parts before ordering

Common Axle Kits - Use with All Applications

ITEM NO.	DESCRIPTION	KIT PART NUMBER	ITEM NO.	DESCRIPTION	KIT PART NUMBER
Carrier Cover		706029X⁽⁹⁾	Pinion & Bearing Adjusting Shim		706617X
14	Carrier Cover		4	Shim – Drive Pinion Adjusting	
15	Carrier Cover Gasket / Sealant		6	Shim – Pinion Bearing Adjusting	
16	Carrier Cover Plug		12	Pinion Nut	
17	Carrier Cover Bolt		15	Carrier Cover Gasket / Sealant	
Inner Pinion Bearing		706031X	Differential Bearing Adjusting Shim		706618X
3	KIT – Inner Pinion Bearing		15	Carrier Cover Gasket / Sealant	
Outer Pinion Bearing		706030X	21	Shim – Differential Bearing	
7	KIT – Outer Pinion Bearing		Differential & Pinion Shim		706619X
Outer Pinion Bearing		706032X	4	Shim – Drive Pinion Adjusting	
20	KIT – Differential Bearing		6	Shim – Pinion Bearing Adjusting	
			11	Washer – Pinion Nut	
			12	Pinion Nut	
			15	Carrier Cover Gasket / Sealant	
			21	Shim – Differential Bearing	

When replacing Carrier Cover Gasket, replace with same type originally used. RTV tube gasket recommended for use on flat flange type cover. Paper or cork gasket recommended for use on ribbed flange cover.

(9) On Bills of Material 603258, 603444, 603489 & 603493 use Kit Number 706095X;

On Bills of Material 603800 & 603882 use Kit Number 706694X

IHC Model 44 Rear Axles

Bill of Material Table

Axle			Axle Kits				Shaft & Joint Assy.	
Bill of Material	Diff. Type	Ratio	Ring Gear & Pinion Kit ⁽⁷⁾	Differential			Right Hand Shaft Assy.	Left Hand Shaft Assy.
				Case Assy. Kit ⁽⁸⁾	Case Kit	Inner Parts Kit		
1967-68 100, 1100 4 x 2 1/2 Ton Pick-up & Station Wagon								
602916-1	Standard	3.31	706613-11X	23587X	706615X	706616X	25175X	25176X
602916-2	Power-Lok	3.31	706613-11X	25364X	23435X	— ⁽⁹⁾	25175X	25176X
602916-3	Standard	3.54	706613-4X	23587X	706615X	706616X	25175X	25176X
602916-4	Power-Lok	3.54	706613-4X	25364X	23435X	— ⁽⁹⁾	25175X	25176X
602916-5	Standard	3.73	706613-6X	23587X	706615X	706616X	25175X	25176X
602916-6	Power-Lok	3.73	706613-6X	25364X	23435X	— ⁽⁹⁾	25175X	25176X
602916-7	Standard	4.09	706613-5X	23585X	706696X	706616X	25175X	25176X
602916-8	Power-Lok	4.09	706613-5X	25565X	23436X	— ⁽⁹⁾	25175X	25176X
602916-11	Standard	4.78	706613-12X	23585X	706696X	706616X	25175X	25176X
602916-12	Power-Lok	4.78	706613-12X	25565X	23436X	— ⁽⁹⁾	25175X	25176X
1969-71 100, 1100 4 x 2 1/2 Ton Pick-up & Station Wagon								
603052-1	Standard	3.31	706613-11X	23587X	706615X	706616X	25175X	25176X
603052-2	Power-Lok	3.31	706613-11X	25364X	23435X	— ⁽⁹⁾	25175X	25176X
603052-3	Standard	3.54	706613-4X	23587X	706615X	706616X	25175X	25176X
603052-4	Power-Lok	3.54	706613-4X	25364X	23435X	— ⁽⁹⁾	25175X	25176X
603052-5	Standard	3.73	706613-6X	23587X	706615X	706616X	25175X	25176X
603052-6	Power-Lok	3.73	706613-6X	25364X	23435X	— ⁽⁹⁾	25175X	25176X
603052-7	Standard	4.09	706613-5X	23585X	706696X	706616X	25175X	25176X
603052-8	Power-Lok	4.09	706613-5X	25365X	23436X	— ⁽⁹⁾	25175X	25176X
603052-11	Standard	4.78	706613-12X	23585X	706696X	706616X	25175X	25176X
603052-12	Power-Lok	4.78	706613-12X	25365X	23436X	— ⁽⁹⁾	25175X	25176X
603052-17	Standard	3.07	706613-2X	23587X	706615X	706616X	25175X	25176X
603052-18	Power-Lok	3.07	706613-2X	25364X	23435X	— ⁽⁹⁾	25175X	25176X
603052-19	Trac-Lok	3.07	706613-2X	26988-1X	706629X	706630X	25175X	25176X
603052-20	Trac-Lok	3.31	706613-11X	26988-1X	706629X	706630X	25175X	25176X
603052-21	Trac-Lok	3.54	706613-4X	26988-1X	706629X	706630X	25175X	25176X
603052-22	Trac-Lok	3.73	706613-6X	26988-1X	706629X	706630X	25175X	25176X
603052-23	Trac-Lok	4.09	706613-5X	26990-1X	706659X	706630X	25175X	25176X
603052-25	Trac-Lok	4.78	706613-12X	26990-1X	706659X	706630X	25175X	25176X
1971 1/2-72 100, 1100 4 x 2 1/2 Ton Pick-up & Station Wagon								
603258-1	Standard	3.31	706613-11X	706614X	706615X	706616X	706162-3X	706162-3X
603258-2	Trac-Lok	3.31	706613-11X	706628X	706629X	706630X	706162-3X	706162-3X
603258-3	Standard	3.54	706613-4X	706614X	706615X	706616X	706162-3X	706162-3X
603258-4	Trac-Lok	3.54	706613-4X	706628X	706629X	706630X	706162-3X	706162-3X
603258-5	Standard	3.73	706613-6X	706614X	706615X	706616X	706162-3X	706162-3X
603258-6	Trac-Lok	3.73	706613-6X	706628X	706629X	706630X	706162-3X	706162-3X
603258-7	Standard	4.09	706613-5X	706695X	706696X	706616X	706162-3X	706162-3X
603258-8	Trac-Lok	4.09	706613-5X	706658X	706659X	706630X	706162-3X	706162-3X
603258-9	Standard	3.07	706613-2X	706614X	706615X	706616X	706162-3X	706162-3X
603258-10	Trac-Lok	3.07	706613-2X	706628X	706629X	706630X	706162-3X	706162-3X
603258-13	Standard	4.89	706613-13X	706695X	706696X	706616X	706162-3X	706162-3X
1973 100, 1100 4 x 2 1/2 Ton Pick-up & Station Wagon								
603258-1	Standard	3.31	706613-11X	706614X	706615X	706616X	26821-2X	26821-2X
603258-2	Trac-Lok	3.31	706613-11X	706628X	706629X	706630X	26821-2X	26821-2X
603258-3	Standard	3.54	706613-4X	706614X	706615X	706616X	26821-2X	26821-2X
603258-4	Trac-Lok	3.54	706613-4X	706628X	706629X	706630X	26821-2X	26821-2X

Continued on next page

- (7) See Ring Gear & Pinion Kits in XGI Catalog for ratio & tooth combinations.
- (8) See Differential Case Assy Kits in XGI Catalog for spline data & ratios.
- (9) Use internal parts from Case Assembly Kit

IHC Model 44 Rear Axles

Bill of Material Table

Axle			Axle Kits				Shaft & Joint Assy.	
Bill of Material	Diff. Type	Ratio	Ring Gear & Pinion Kit ⁽⁷⁾	Differential			Right Hand Shaft Assy.	Left Hand Shaft Assy.
				Case Assy. Kit ⁽⁸⁾	Case Kit	Inner Parts Kit		
1973 100, 1100 4 x 2 1/2 Ton Pick-up & Station Wagon (Continued)								
603258-5	Standard	3.73	706613-6X	706614X	706615X	706616X	26821-2X	26821-2X
603258-6	Trac-Lok	3.73	706613-6X	706628X	706629X	706630X	26821-2X	26821-2X
603258-7	Standard	4.09	706613-5X	706695X	706696X	706616X	26821-2X	26821-2X
603258-8	Trac-Lok	4.09	706613-5X	706658X	706659X	706630X	26821-2X	26821-2X
603258-9	Standard	3.07	706613-2X	706614X	706615X	706616X	26821-2X	26821-2X
603258-10	Trac-Lok	3.07	706613-2X	706628X	706629X	706630X	26821-2X	26821-2X
603258-13	Standard	4.89	706613-13X	706695X	706696X	706616X	26821-2X	26821-2X
1973 1/2-75 100, 1100 4 x 2 1/2 Ton Pick-up & Station Wagon								
603493-1	Standard	3.31	706613-11X	706614X	706615X	706616X	706162-1X	706162-1X
603493-2	Trac-Lok	3.31	706613-11X	706628X	706629X	706630X	706162-1X	706162-1X
603493-3	Standard	3.54	706613-4X	706614X	706615X	706616X	706162-1X	706162-1X
603493-4	Trac-Lok	3.54	706613-4X	706628X	706629X	706630X	706162-1X	706162-1X
603493-5	Standard	3.73	706613-6X	706614X	706615X	706616X	706162-1X	706162-1X
603493-6	Trac-Lok	3.73	706613-6X	706628X	706629X	706630X	706162-1X	706162-1X
603493-7	Standard	4.09	706613-5X	706695X	706696X	706616X	706162-1X	706162-1X
603493-8	Trac-Lok	4.09	706613-5X	706658X	706659X	706630X	706162-1X	706162-1X
603493-9	Standard	3.07	706613-2X	706614X	706615X	706616X	706162-1X	706162-1X
603493-10	Trac-Lok	3.07	706613-2X	706628X	706629X	706630X	706162-1X	706162-1X
1973-75 100, 1100 4 x 4 1/2 Ton Pick-up & Station Wagon								
603489-1	Standard	3.31	706613-11X	706614X	706615X	706616X	706162-1X	706162-1X
603489-2	Trac-Lok	3.31	706613-11X	706628X	706629X	706630X	706162-1X	706162-1X
603489-3	Standard	3.54	706613-4X	706614X	706615X	706616X	706162-1X	706162-1X
603489-4	Trac-Lok	3.54	706613-4X	706628X	706629X	706630X	706162-1X	706162-1X
603489-5	Standard	3.73	706613-6X	706614X	706615X	706616X	706162-1X	706162-1X
603489-6	Trac-Lok	3.73	706613-6X	706628X	706629X	706630X	706162-1X	706162-1X
603489-7	Standard	4.09	706613-5X	706695X	706696X	706616X	706162-1X	706162-1X
603489-8	Trac-Lok	4.09	706613-5X	706658X	706659X	706630X	706162-1X	706162-1X
603493-9	Standard	3.07	706613-2X	706614X	706615X	706616X	706162-1X	706162-1X
603489-10	Trac-Lok	3.07	706613-2X	706628X	706629X	706630X	706162-1X	706162-1X
1967-69 900, 1000 Pick-up & Station Wagon								
602917-1	Standard	3.31	706613-11X	23587X	706615X	706616X	25175X	25176X
602917-2	Power-Lok	3.31	706613-11X	25364X	23435X	— ⁽⁹⁾	25175X	25176X
602917-3	Standard	3.54	706613-4X	23587X	706615X	706616X	25175X	25176X
602917-4	Power-Lok	3.54	706613-4X	25364X	23435X	— ⁽⁹⁾	25175X	25176X
602917-5	Standard	3.73	706613-6X	23587X	706615X	706616X	25175X	25176X
602917-6	Power-Lok	3.73	706613-6X	25364X	23435X	— ⁽⁹⁾	25175X	25176X
602917-7	Standard	4.09	706613-5X	23585X	706696X	706616X	25175X	25176X
602917-8	Power-Lok	4.09	706613-5X	25365X	23436X	— ⁽⁹⁾	25175X	25176X
1967-69 Scout I, Scout II, Traveler								
602962-1	Standard	4.27	706613-7X	18568X	18458	18555X	22725X	22725X
602962-2	Power-Lok	4.27	706613-7X	23209X	21258X	— ⁽⁹⁾	22725X	22725X
602962-3	Standard	4.89	706613-13X	18568X	18458	18555X	22725X	22725X
602962-4	Power-Lok	4.89	706613-13X	23209X	21258X	— ⁽⁹⁾	22725X	22725X
602962-5	Standard	3.73	706613-6X	18580X	18422	18555X	22725X	22725X
602962-6	Power-Lok	3.73	706613-6X	23207X	21251X	— ⁽⁹⁾	22725X	22725X
602962-7	Standard	4.89	706613-13X	18568X	18458	18555X	22725X	22725X
602962-8	Power-Lok	4.89	706613-13X	23209X	21258X	— ⁽⁹⁾	22725X	22725X

(7) See Ring Gear & Pinion Kits in XGI Catalog for ratio & tooth combinations.

(8) See Differential Case Assy Kits in XGI Catalog for spline data & ratios.

(9) Use internal parts from Case Assembly Kit

IHC Model 44 Rear Axles

Bill of Material Table

Axle			Axle Kits				Shaft & Joint Assy.	
Bill of Material	Diff. Type	Ratio	Ring Gear & Pinion Kit ⁽⁷⁾	Differential			Right Hand Shaft Assy.	Left Hand Shaft Assy.
				Case Assy. Kit ⁽⁸⁾	Case Kit	Inner Parts Kit		
1968-71 Scout I, Scout II, Traveler								
603121-1	Standard	4.27	706613-7X	706695X	706696X	706616X	706162-2X	706162-2X
603121-2	Power-Lok	4.27	706613-7X	26844X	23436X	— ⁽⁹⁾	706162-2X	706162-2X
603121-3	Standard	3.73	706613-6X	706614X	706615X	706616X	706162-2X	706162-2X
603121-4	Power-Lok	3.73	706613-6X	26846X	23435X	— ⁽⁹⁾	706162-2X	706162-2X
603121-5	Standard	3.31	706613-11X	706614X	706615X	706616X	706162-2X	706162-2X
603121-6	Power-Lok	3.31	706613-11X	26846X	23435X	— ⁽⁹⁾	706162-2X	706162-2X
603121-7	Standard	4.27	706613-7X	706695X	706696X	706616X	706162-2X	706162-2X
603121-8	Power-Lok	4.27	706613-7X	26844X	23436X	— ⁽⁹⁾	706162-2X	706162-2X
603121-9	Standard	3.73	706613-6X	706614X	706615X	706616X	706162-2X	706162-2X
603121-10	Power-Lok	3.73	706613-6X	26846X	23435X	— ⁽⁹⁾	706162-2X	706162-2X
603121-11	Standard	3.31	706613-11X	706614X	706615X	706616X	706162-2X	706162-2X
603121-12	Power-Lok	3.31	706613-11X	26846X	23435X	— ⁽⁹⁾	706162-2X	706162-2X
603121-13	Standard	4.78	706613-12X	706695X	706696X	706616X	706162-2X	706162-2X
603121-14	Trac-Lok	4.27	706613-7X	706658X	706659X	706630X	706162-2X	706162-2X
603121-15	Trac-Lok	3.73	706613-6X	706628X	706629X	706630X	706162-2X	706162-2X
603121-16	Trac-Lok	3.31	706613-11X	706628X	706629X	706630X	706162-2X	706162-2X
603121-17	Trac-Lok	4.27	706613-7X	706658X	706659X	706630X	706162-2X	706162-2X
603121-18	Trac-Lok	3.73	706613-6X	706628X	706629X	706630X	706162-2X	706162-2X
603121-19	Trac-Lok	3.31	706613-11X	706628X	706629X	706630X	706162-2X	706162-2X
1971 1/2-72 Scout I, Scout II, Traveler								
603162-1	Standard	4.27	706613-7X	706695X	706696X	706616X	706162-2X	706162-2X
603162-2	Trac-Lok	4.27	706613-7X	706658X	706659X	706630X	706162-2X	706162-2X
603162-3	Standard	3.73	706613-6X	706614X	706615X	706616X	706162-2X	706162-2X
603162-4	Trac-Lok	3.73	706613-6X	706628X	706629X	706630X	706162-2X	706162-2X
603162-5	Standard	3.31	706613-11X	706614X	706615X	706616X	706162-2X	706162-2X
603162-6	Trac-Lok	3.31	706613-11X	706628X	706629X	706630X	706162-2X	706162-2X
603162-7	Standard	4.89	706613-13X	706695X	706696X	706616X	706162-2X	706162-2X
1973 Scout I, Scout II, Traveler								
603162-1	Standard	4.27	706613-7X	706695X	706696X	706616X	26821-2X	26821-2X
603162-2	Trac-Lok	4.27	706613-7X	706658X	706659X	706630X	26821-2X	26821-2X
603162-3	Standard	3.73	706613-6X	706614X	706615X	706616X	26821-2X	26821-2X
603162-4	Trac-Lok	3.73	706613-6X	706628X	706629X	706630X	26821-2X	26821-2X
603162-5	Standard	3.31	706613-11X	706614X	706615X	706616X	26821-2X	26821-2X
603162-6	Trac-Lok	3.31	706613-11X	706628X	706629X	706630X	26821-2X	26821-2X
603162-7	Standard	4.89	706613-13X	706695X	706696X	706616X	26821-2X	26821-2X
1973 1/2-75 Scout I, Scout II, Traveler								
603444-1	Standard	4.27	706613-7X	706695X	706696X	706616X	706162-2X	706162-2X
603444-2	Trac-Lok	4.27	706613-7X	706658X	706659X	706630X	706162-2X	706162-2X
603444-3	Standard	3.73	706613-6X	706614X	706615X	706616X	706162-2X	706162-2X
603444-4	Trac-Lok	3.73	706613-6X	706628X	706629X	706630X	706162-2X	706162-2X
603444-5	Standard	3.31	706613-11X	706614X	706615X	706616X	706162-2X	706162-2X
603444-6	Trac-Lok	3.31	706613-11X	706628X	706629X	706630X	706162-2X	706162-2X
603444-7	Standard	3.54	706613-4X	706614X	706615X	706616X	706162-2X	706162-2X
603444-8	Trac-Lok	3.54	706613-4X	706628X	706629X	706630X	706162-2X	706162-2X
603444-9	Standard	3.07	706613-2X	706614X	706615X	706616X	706162-2X	706162-2X
603444-10	Trac-Lok	3.07	706613-2X	706628X	706629X	706630X	706162-2X	706162-2X
603444-11	Standard	4.09	706613-5X	706695X	706696X	706616X	706162-2X	706162-2X
603444-12	Trac-Lok	4.09	706613-5X	706658X	706659X	706630X	706162-2X	706162-2X

(7) See Ring Gear & Pinion Kits in XGI Catalog for ratio & tooth combinations.

(8) See Differential Case Assy Kits in XGI Catalog for spline data & ratios.

(9) Use internal parts from Case Assembly Kit

IHC Model 44 Rear Axles

Bill of Material Table

Axle			Axle Kits				Shaft & Joint Assy.	
Bill of Material	Diff. Type	Ratio	Ring Gear & Pinion Kit ⁽⁷⁾	Differential			Right Hand Shaft Assy.	Left Hand Shaft Assy.
				Case Assy. Kit ⁽⁸⁾	Case Kit	Inner Parts Kit		
1976 Scout I, Scout II, Traveler								
603800-1	Standard	3.07	706613-2X	706614X	706615X	706616X	706162-2X	706162-2X
603800-2	Trac-Lok	3.07	706613-2X	706628X	706629X	706630X	706162-2X	706162-2X
603800-3	Standard	3.54	706613-4X	706614X	706615X	706616X	706162-2X	706162-2X
603800-4	Trac-Lok	3.54	706613-4X	706628X	706629X	706630X	706162-2X	706162-2X
603800-5	Standard	4.09	706613-5X	706695X	706696X	706616X	706162-2X	706162-2X
603800-6	Trac-Lok	4.09	706613-5X	706658X	706659X	706630X	706162-2X	706162-2X
603800-7	Standard	4.27	706613-7X	706695X	706696X	706616X	706162-2X	706162-2X
603800-8	Trac-Lok	4.27	706613-7X	706658X	706659X	706630X	706162-2X	706162-2X
1976 1/2-78 Scout I, Scout II, Traveler								
603882-1	Standard	3.07	706613-2X	706614X	706615X	706616X	706162-2X	706162-2X
603882-2	Trac-Lok	3.07	706613-2X	706628X	706629X	706630X	706162-2X	706162-2X
603882-3	Standard	3.54	706613-4X	706614X	706615X	706616X	706162-2X	706162-2X
603882-4	Trac-Lok	3.54	706613-4X	706628X	706629X	706630X	706162-2X	706162-2X
603882-5	Standard	4.09	706613-5X	706695X	706696X	706616X	706162-2X	706162-2X
603882-6	Trac-Lok	4.09	706613-5X	706658X	706659X	706630X	706162-2X	706162-2X
603882-7	Standard	4.27	706613-7X	706695X	706696X	706616X	706162-2X	706162-2X
603882-8	Trac-Lok	4.27	706613-7X	706658X	706659X	706630X	706162-2X	706162-2X
603882-9	Standard	3.73	706613-6X	706614X	706615X	706616X	706162-2X	706162-2X
603882-10	Trac-Lok	3.73	706613-6X	706628X	706629X	706630X	706162-2X	706162-2X
1967-69 Metro Van & Multi-Stop								
602757-1	Standard	4.55	706613-8X	23585X	706696X	706616X	25175X	25176X
602757-2	Power-Lok	4.55	706613-8X	25365X	23436X	— ⁽⁹⁾	25175X	25176X
602757-3	Standard	3.73	706613-6X	23587X	706615X	706616X	25175X	25176X
602757-4	Power-Lok	3.73	706613-6X	25364X	23435X	— ⁽⁹⁾	25175X	25176X
602757-5	Standard	5.38	706613-9X	23585X	706696X	706616X	25175X	25176X
602757-6	Power-Lok	5.38	706613-9X	25365X	23436X	— ⁽⁹⁾	25175X	25176X
602757-7	Standard	4.09	706613-5X	23585X	706696X	706616X	25175X	25176X
602757-8	Power-Lok	4.09	706613-5X	25365X	23436X	— ⁽⁹⁾	25175X	25176X
1969 1/2-72 Metro Van & Multi-Stop								
603034-5	Standard	3.73	706613-6X	23587X	706615X	706616X	25175X	25176X
603034-6	Power-Lok	3.73	706613-6X	25364X	23435X	— ⁽⁹⁾	25175X	25176X
603034-7	Standard	4.09	706613-5X	23585X	706696X	706616X	25175X	25176X
603034-8	Power-Lok	4.09	706613-5X	25365X	23436X	— ⁽⁹⁾	25175X	25176X
603034-9	Standard	4.55	706613-8X	23585X	706696X	706616X	25175X	25176X
603034-10	Power-Lok	4.55	706613-8X	25365X	23436X	— ⁽⁹⁾	25175X	25176X
603034-15	Standard	5.38	706613-9X	23585X	706696X	706616X	25175X	25176X
603034-16	Power-Lok	5.38	706613-9X	25365X	23436X	— ⁽⁹⁾	25175X	25176X

(7) See Ring Gear & Pinion Kits in XGI Catalog for ratio & tooth combinations.

(8) See Differential Case Assy Kits in XGI Catalog for spline data & ratios.

(9) Use internal parts from Case Assembly Kit

IHC Model 44 Rear Axles Kit Components

ITEM NO.	DESCRIPTION	ITEM NO.	DESCRIPTION	ITEM NO.	DESCRIPTION
Drive Pinion & Gear Assembly		43	Ring – Differential Gear	Differential Case (Trak-Lok)	
2	Drive Pinion & Gear Assembly	44	Plate – Differential	15	Carrier Cover Gasket / Sealant
3	KIT – Inner Pinion Bearing	45	Disc – Differential	21	Shim – Differential Bearing
4	Inner Pinion Shims	46	Disc – Differential (dished)	23	Bolt – Drive Gear
5	Baffle – Pinion Bearing	47	Plate – Differential (dished)	48	Bolt – Differential Case
6	Outer Pinion Shims	48	Bolt – Differential Case	49	Differential Case
7	KIT – Outer Pinion Bearing	Differential Case Assembly (Trac-Lok)		Differential Parts (standard)	
8	Slinger – Outer Pinion Bearing	15	Carrier Cover Gasket / Sealant	15	Carrier Cover Gasket / Sealant
9	Seal – Pinion Oil	20	KIT – Differential Bearing	23	Bolt – Drive Gear
11	Washer – Pinion Nut	21	Shim – Differential Bearing	24	Pinion – Differential
12	Pinion Nut	23	Bolt – Drive Gear	25	Gear – Differential
15	Carrier Cover Gasket / Sealant	24	Pinion – Differential	26	Thrustwasher – Diff. Pinion
21	Shim – Differential Bearing	25	Gear – Differential	27	Thrustwasher – Diff. Gear
23	Bolt – Drive Gear	26	Thrustwasher – Diff. Pinion	28	Shaft – Differential Pinion
Differential Case Assembly (standard)		49	Case – Differential	29	Lock – Differential Shaft
15	Carrier Cover Gasket / Sealant	50	Gear – Differential	Differential Parts (Powr-Lok)	
20	KIT – Differential Bearing	51	Shaft – Differential	15	Carrier Cover Gasket / Sealant
21	Shim – Differential Bearing	52	Snap Ring	40	Shaft – Differential
22	Case – Differential	53	Spacer – Diff. Gear (dished)	41	Pinion – Differential
23	Bolt – Drive Gear	54	Plate – Differential	42	Gear – Differential
24	Pinion – Differential	55	Disc – Differential	43	Ring – Differential Gear
25	Gear – Differential	56	Plate – Differential (dished)	44	Plate – Differential
26	Thrustwasher – Diff. Pinion	57	Clip – Differential Clutch Retainer	45	Disc – Differential
27	Thrustwasher – Diff. Gear	Differential Case (standard)		46	Disc – Differential (dished)
28	Shaft – Differential Pinion	15	Carrier Cover Gasket / Sealant	47	Plate – Differential (dished)
29	Lock – Differential Shaft	21	Shim – Differential Bearing	Differential Parts (Trac-Lok)	
Differential Case Assembly (Powr-Lok)		22	Case – Differential	15	Carrier Cover Gasket / Sealant
15	Carrier Cover Gasket / Sealant	23	Bolt – Drive Gear	23	Bolt – Drive Gear
20	KIT – Differential Bearing	29	Lock – Differential Shaft	24	Pinion – Differential
21	Shim – Differential Bearing	Differential Case (Powr-Lok)		26	Thrustwasher – Diff. Pinion
23	Bolt – Drive Gear	15	Carrier Cover Gasket / Sealant	50	Gear – Differential
38	Flange Half – Differential Case	21	Shim – Differential Bearing	51	Shaft – Differential
39	Cap Half – Differential Case	23	Bolt – Drive Gear	52	Snap Ring
40	Shaft – Differential	38	Flange Half – Differential Case	53	Spacer – Diff. Gear (dished)
41	Pinion – Differential	39	Cap Half – Differential Case	54	Plate – Differential
42	Gear – Differential	48	Bolt – Differential Case	55	Disc – Differential
				56	Plate – Differential (dished)
				57	Clip – Differential Clutch Retainer

When replacing Carrier Cover Gasket, replace with same type originally used. RTV tube gasket recommended for use on flat flange type cover. Paper or cork gasket recommended for use on ribbed flange cover.

Axle Shaft Dimensions

Part Number	Spline		Flange Face to End of Spline	Flange Diameter	Bolts	
	Diameter & No. of Splines	Length			Circle Diameter	Number of Bolt Holes
25175X	1 5/16" -30	1 13/16"	30 9/32"	7 1/16"	5 1/2"	5
25176X	1 5/16" -30	1 13/16"	30 9/32"	7 1/16"	5 1/2"	5
26821-2X	1 5/16" -30	1 13/16"	20 11/32"	7 1/16"	5 1/2"	5
706162-1X	1 5/16" -30	1 13/16"	27 17/32"	7 1/16"	5 1/2"	5
706162-2X	1 5/16" -30	1 13/16"	28 1/4"	7 1/16"	5 1/2"	5
706162-3X	1 5/16" -30	1 13/16"	30 11/32"	7 1/16"	5 1/2"	5

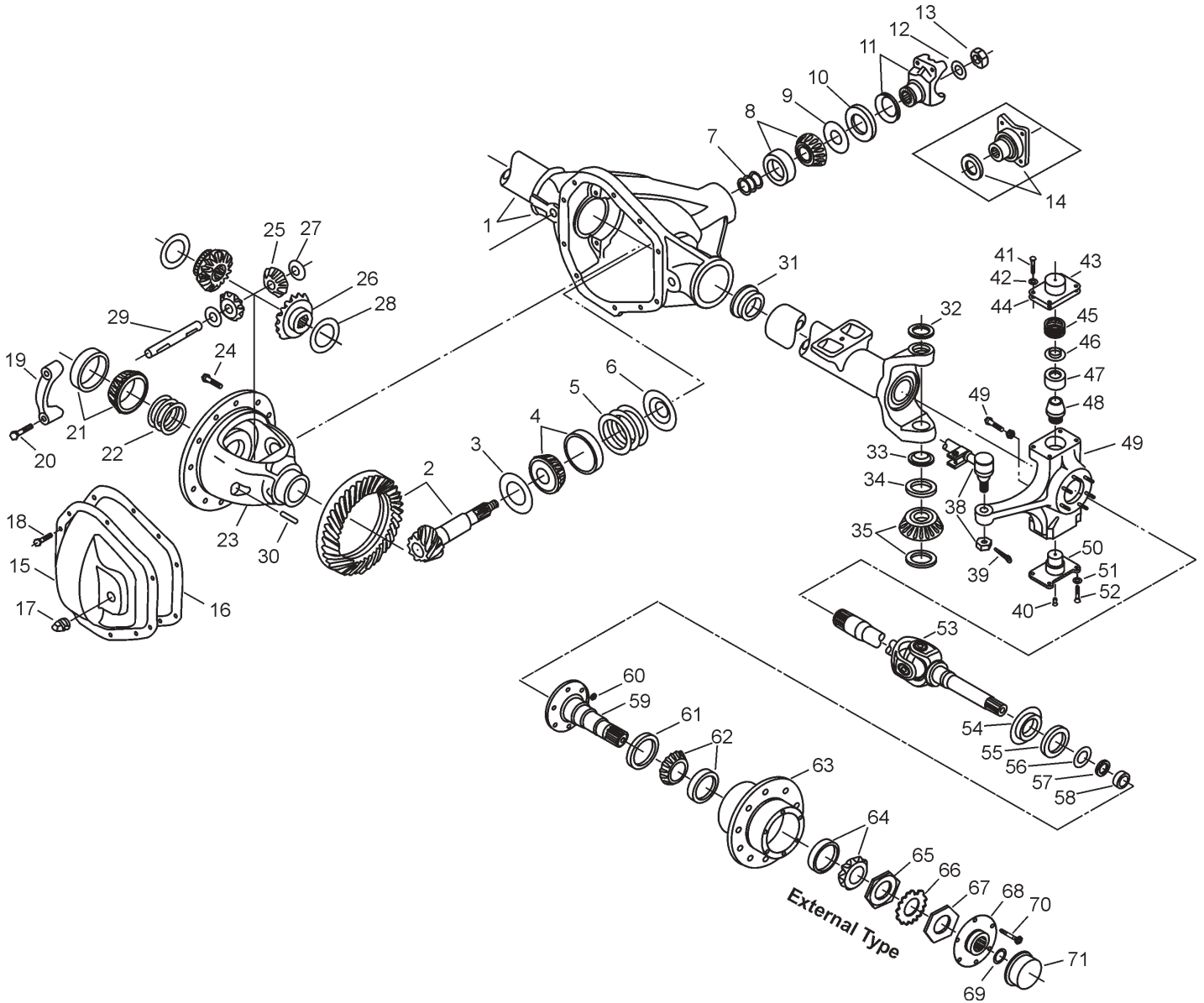
IHC 1975

Model 60 Front Axles for

1300 Camper Special

IHC Model 60 Front Axles

Exploded View



Axle Shaft Dimensions

Complete Assembly Number	Inner Shaft - Side Gear End			Outer Shaft - Spline End			Axle Shaft & Joint Assembly		
	Major Spline Diameter	Centerline to End of Spline	Yoke Shaft Part Number	Major Spline Diameter	Centerline to End of Spline	Yoke Shaft Part Number	Side	Overall Length	Cross & Bearing Kit
907967-5	1 1/2" -35	14 43/64"	3-82-801-5	1 5/16" -30	12"	3-82-791	Right	29 43/64"	5-332X
907967-6	1 1/2" -35	35 5/64"	3-82-801-6	1 5/16" -30	12"	3-82-791	Left	47 5/64"	5-332X

IHC Model 60 Front Axles Parts Listing

ITEM NO.	PART IDENTIFICATION	ITEM NO.	PART IDENTIFICATION	ITEM NO.	PART IDENTIFICATION
1 ⁽¹⁾	Housing – Axle Service	26	Gear – Differential	50	Lower King Pin Bearing Cap
2	Drive Pinion & Gear Assembly	27	Thrustwasher – Diff. Pinion	51	Lockwasher – Lower King Pin Cap
3	Slinger – Inner Pinion Bearing	28	Thrustwasher – Diff. Gear	52	Hex Bolt – Lower King Pin Cap
4	KIT – Inner Pinion Bearing	29	Shaft – Differential Pinion	53	Shaft & Joint Assembly
5	Inner Pinion Shim	30	Lock – Differential Shaft	54	Slinger – Spindle Yoke (pressed on axle shaft if used)
6	Baffle – Pinion Bearing	31	Seal & Guide Tube	55	Oil Seal
7	Outer Pinion Shims	32	Seal – Upper King Pin	56	Spacer – Wheel Bearing Spindle
8	KIT – Outer Pinion Bearing	33	Grease Retainer	57	Oil Seal - Block Vee
9	Slinger – Outer Pinion Bearing	34	Oil Seal	58	Needle Bearing Assembly
10	Seal – Pinion Oil	35	KIT – Lower King Pin Bearing	59	Wheel Bearing Spindle
11 ⁽²⁾	End Yoke Assembly	36	Stop Screw	60	Brake Mounting Nut
12	Washer – Pinion Nut	37	Jam Nut	61	Oil Seal
13	Pinion Nut	38 ⁽¹⁾	Tie Rod Assembly	62	KIT – Inner Wheel Bearing
14 ⁽²⁾	Companion Flange Assembly	39	Cotter Pin	63 ⁽¹⁾	Wheel Hub
15	Carrier Cover	40	Lube Fitting	64	KIT – Outer Wheel Bearing
16	Carrier Cover Gasket / Sealant	41	Nut – Hex Tapered	65	Inner Wheel Bearing Nut
17	Plug – Carrier Cover	42	Lockwasher – Upper King Pin Cap	66	Lock Nut
18	Bolt – Carrier Cover	43	Steering Arm (LH only)	67	Outer Wheel Bearing Nut
19 ⁽¹⁾	Differential Bearing Cap		Upper King Pin Cap (RH only)	68	Axle Drive Flange Gasket
20 ⁽¹⁾	Bolt – Differential Bearing Cap	44	Gasket – King Pin Cap	69	Snap Ring
21	KIT – Differential Bearing	45	Compression Spring	70	Bolt
22	Shim – Differential Bearing	46	Retainer Spring	71	Hub Cap
23	Case – Differential	47	King Pin Bushing		
24	Bolt – Drive Gear	48	King Pin		
25	Pinion – Differential	49	Knuckle Assembly		

(1) Contact Vehicle Manufacturer

(2) See Spicer Driveline Catalog J300P Section 10

Check availability on all Powr-Lok parts before ordering

Kit Components

ITEM NO.	DESCRIPTION	ITEM NO.	DESCRIPTION	ITEM NO.	DESCRIPTION
Drive Pinion & Gear Assembly		Differential Case Assembly (standard)		Differential Case (standard)	
2	Drive Pinion & Gear Assembly	16	Carrier Cover Gasket / Sealant	16	Carrier Cover Gasket / Sealant
3	Slinger – Inner Pinion Bearing	21	KIT – Differential Bearing	22	Shim – Differential Bearing
4	KIT – Inner Pinion Bearing	22	Shim – Differential Bearing	23	Case – Differential
5	Inner Pinion Shims	23	Case – Differential	24	Bolt – Drive Gear
6	Baffle – Pinion Bearing	24	Bolt – Drive Gear	30	Lock – Differential Shaft
7	Outer Pinion Shims	25	Pinion – Differential	Differential Parts (standard)	
8	KIT – Outer Pinion Bearing	26	Gear – Differential	16	Carrier Cover Gasket / Sealant
9	Slinger – Outer Pinion Bearing	27	Thrustwasher – Diff. Pinion	24	Bolt – Drive Gear
10	Seal – Pinion Oil	28	Thrustwasher – Diff. Gear	25	Pinion – Differential
12	Washer – Pinion Nut	29	Shaft – Differential Pinion	26	Gear – Differential
13	Pinion Nut	30	Lock – Differential Shaft	27	Thrustwasher – Diff. Pinion
16	Carrier Cover Gasket / Sealant			28	Thrustwasher – Diff. Gear
22	Shim – Differential Bearing			29	Shaft – Differential Pinion
24	Bolt – Drive Gear			30	Lock – Differential Shaft

When replacing Carrier Cover Gasket, replace with same type originally used. RTV tube gasket recommended for use on flat flange type cover. Paper or cork gasket recommended for use on ribbed flange cover.

IHC Model 60 Front Axles

Bill of Material Table

Axle			Axle Kits				Shaft & Joint Assy.	
Bill of Material	Diff. Type	Ratio	Ring Gear & Pinion Kit ⁽⁷⁾	Differential			Right Hand Shaft Assy.	Left Hand Shaft Assy.
				Case Assy. Kit ⁽⁸⁾	Case Kit	Inner Parts Kit		
1975 1300 Camper Special								
603624-1	Standard	3.73	706660-2X	706180X	706668X	706181X	907967-5	907967-6
603624-2	Standard	4.10	706660-3X	706180X	706668X	706181X	907967-5	907967-6
603624-4	Standard	3.73	706660-2X	706180X	706668X	706181X	907967-5	907967-6
603624-5	Standard	4.10	706660-3X	706180X	706668X	706181X	907967-5	907967-6
603624-6	Standard	4.88	706660-5X	706182X	706669X	706181X	907967-5	907967-6
603624-7	Standard	4.88	706660-5X	706182X	706669X	706181X	907967-5	907967-6
603624-8	Standard	3.54	706660-1X	706180X	706668X	706181X	907967-5	907967-6
603624-9	Standard	3.54	706660-1X	706180X	706668X	706181X	907967-5	907967-6

(7) See Ring Gear & Pinion Kits in XGI Catalog for ratio & tooth combinations.

(8) See Differential Case Assy Kits in XGI Catalog for spline data & ratios.

Kits & Parts — Use with All Applications

Description & Item Number (Refer to "Exploded View" at the front of this section)	Bills of Material				
	603624				
Inner Pinion Bearing Kit	4	706046X			
Pinion & Bearing Adjusting Shim (inc. items 5, 7, 12, 13, 16)	—	706672X			
Differential & Pinion Shim (inc. items 5, 7, 12, 13, 16, 22)	—	706674X			
Outer Pinion Bearing	8	706045X			
Carrier Cover (inc. 15, 16, 17, 18)	—	706160X			
Differential Bearing Adj. Shim (16, 22)	—	706673X			
Differential Bearing	21	706047X			
Seal & Guide Tube	31	36487			
Seal — Upper King Pin	32	620058			
KIT — King Pin Parts (inc. 32,33,34,35)	N.I.	706395X			
Stop Screw	36	31026-3			
Jam Nut	37	500381-3			
Cotter Pin	39	500024-5			
Lube Fitting	40	500175-4			
Nut — Hex Tapered	41	30875			
Steering Arm (LH only)	43	— ⁽³⁾			
Cap — Upper King Pin (RH only)		620132			
Gasket — King Pin Cap	44	37307			
Compression Spring	45	37300			
Bushing — King Pin	47	37301			
Cap — Lower King Pin (RH only)	50	37299			
Lockwasher — Lower King Pin Cap	51	500357-13			
Hex Bolt — Lower King Pin Cap	52	500412-12			
KIT — Wheel Spindle Seal & Bearing (inc. items 55, 56, 57, 58)	N.I.	700014			
KIT — Wheel Bearing Spindle (inc. items 57, 58, 59)	N.I.	700013			
Inner Wheel Bearing	62	706111X			
Outer Wheel Bearing	64	706094X			
Nut — Wheel Bearing Inner	65	36105			
Nut — Wheel Bearing Outer	67	36105			
Flange-Axle Drive	68	37313			

(3) Contact Vehicle Manufacturer

IHC 1967-1975

Model 60 Rear Axles for

1000 & 1100 Pick-up & Station Wagon

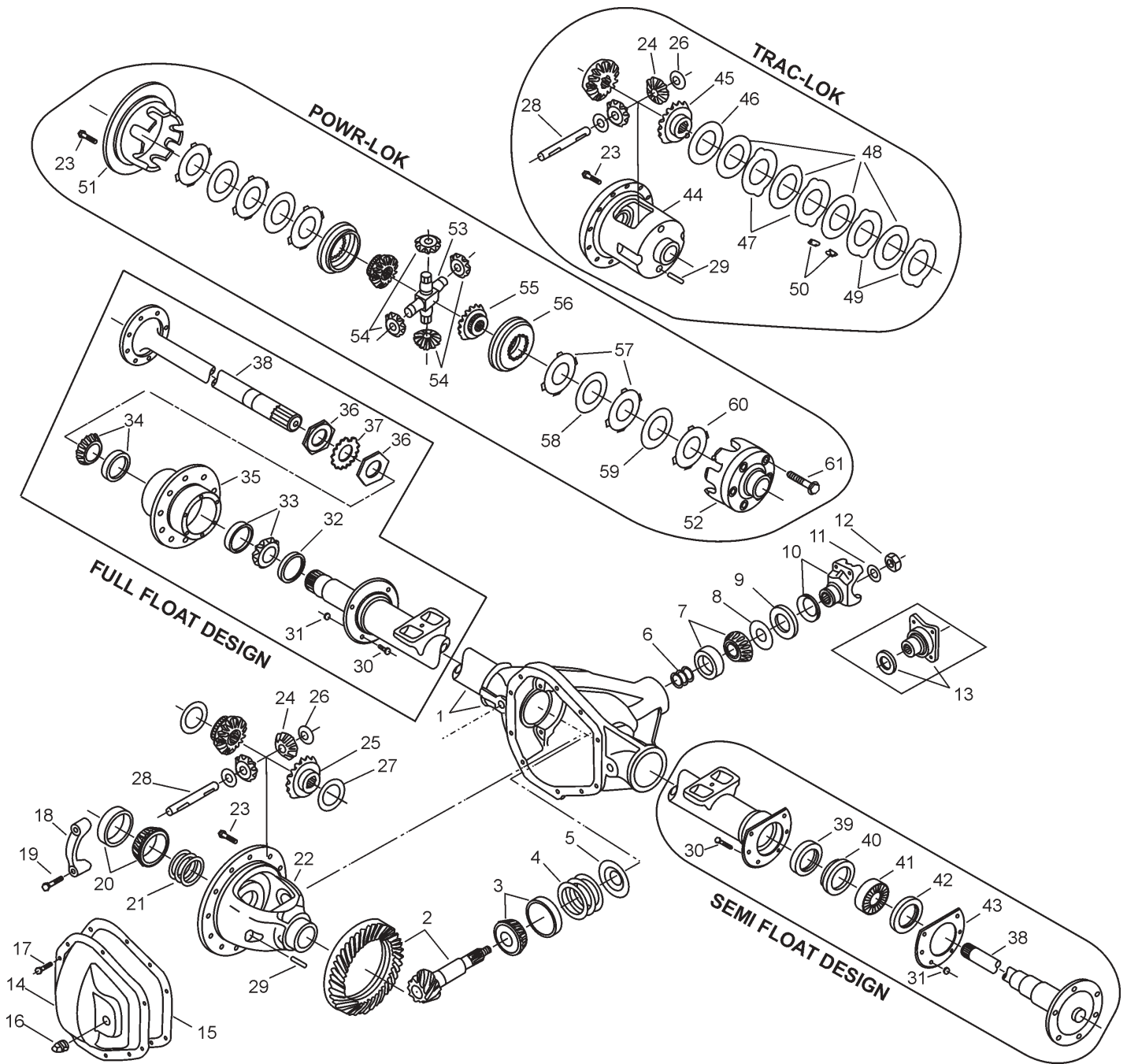
1200 3/4 Ton Pick-up

1200 3/4 Ton Station Wagon

1200 4x2 Vehicles

1200 4x4 Vehicles

IHC Model 60 Rear Axles Exploded View



IHC Model 60 Rear Axles Parts Listing

ITEM NO.	PART IDENTIFICATION	ITEM NO.	PART IDENTIFICATION	ITEM NO.	PART IDENTIFICATION
1 ⁽¹⁾	Housing – Axle Service	23	Bolt – Drive Gear	Power-Lok & Trak-Lok Differential	
2	Drive Pinion & Gear Assembly	24	Pinion – Differential		
3	KIT – Inner Pinion Bearing	25	Gear – Differential	44	Case – Differential
4	Shim – Drive Pinion	26	Thrustwasher – Diff. Pinion	45	Gear – Differential
5	Baffle – Pinion Bearing	27	Thrustwasher – Differential Gear	46	Spacer – Diff. Gear (dished)
6	Shim – Pinion Bearing	28	Shaft – Differential Pinion	47	Plate – Differential
7	KIT – Outer Pinion Bearing	29	Lock – Differential Shaft	48	Disc – Differential
8	Slinger – Outer Pinion Bearing	30 ⁽¹⁾	Brake Mounting Bolt	49	Plate – Diff. (selective thick.)
9	Seal – Pinion Oil	31 ⁽¹⁾	Brake Mounting Nut	50	Clip – Differential Clutch Retainer
10 ⁽²⁾	End Yoke Assembly	32 ⁽¹⁾	Hub Seal	51	Flange Half - Differential Case
11	Washer – Pinion Nut	33 ⁽¹⁾	KIT – Inner Wheel Bearing	52	Cap Half – Differential Case
12	Pinion Nut	34 ⁽¹⁾	KIT – Outer Wheel Bearing	53	Shaft – Differential
13 ⁽²⁾	Companion Flange Assembly	35 ⁽¹⁾	Wheel Hub	54	Pinion – Differential
14	Carrier Cover	36	Spindle Nut	55	Gear – Differential
15	Carrier Cover Gasket / Sealant	37	Lockwasher – Spindle Nut	56	Ring – Differential
16	Plug – Carrier Cover	38	Shaft – Axle Flanged Drive	57	Plate – Differential
17	Bolt – Carrier Cover	39	Seal – Inboard Shaft	58	Disc – Differential
18 ⁽¹⁾	Differential Bearing Cap	40	Retainer Ring – Wheel Bearing	59	Disc – Differential (dished)
19 ⁽¹⁾	Bolt – Differential Bearing Cap	41	Wheel Bearing Assembly	60	Plate – Differential (dished)
20	KIT – Differential Bearing	42	Seal – Outboard Shaft	61	Bolt – Differential Case
21	Shim – Differential Bearing	43	Retainer – Oil Seal		
22	Case – Differential				

(1) Contact Vehicle Manufacturer

(2) See Spicer Driveline Catalog J300P Section 10

Check availability on all Powr-Lok parts before ordering

Common Axle Kits - Use with All Applications

ITEM NO.	DESCRIPTION	KIT PART NUMBER	ITEM NO.	DESCRIPTION	KIT PART NUMBER
Carrier Cover		602918, 902998, 603053 603259, 603494, 602755 } 603054, 603492, 603490 }	706128X 706160X	Pinion & Bearing Adjusting Shim	
4	Shim – Drive Pinion Adjusting		6	Shim – Pinion Bearing Adjusting	
12	Pinion Nut		15	Carrier Cover Gasket / Sealant	
17	Bolt – Carrier Cover		Differential Bearing Adjusting Shim		706673X
Inner Pinion Bearing		706046X	15	Carrier Cover Gasket / Sealant	
3	KIT – Inner Pinion Bearing		21	Shim – Differential Bearing	
Outer Pinion Bearing		706045X	Differential & Pinion Shim		706674X
7	KIT – Outer Pinion Bearing		4	Shim – Drive Pinion Adjusting	
Outer Pinion Bearing		706047X	6	Shim – Pinion Bearing Adjusting	
20	KIT – Differential Bearing		11	Washer – Pinion Nut	
			12	Pinion Nut	
			15	Carrier Cover Gasket / Sealant	
			21	Shim – Differential Bearing	

When replacing Carrier Cover Gasket, replace with same type originally used. RTV tube gasket recommended for use on flat flange type cover. Paper or cork gasket recommended for use on ribbed flange cover.

IHC Model 60 Rear Axles

Bill of Material Table

Axle			Axle Kits				Shaft & Joint Assy.	
Bill of Material	Diff. Type	Ratio	Ring Gear & Pinion Kit ⁽⁷⁾	Differential			Right Hand Shaft Assy.	Left Hand Shaft Assy.
				Case Assy. Kit ⁽⁸⁾	Case Kit	Inner Parts Kit		
1967 1000 & 1100 Pick-up & Station Wagon								
602918-11	Standard	3.54	706660-1X	26167X	706668X	706671X	34233	34233
602918-12	Powr-Lok	3.54	706660-1X	25188X	706174X	706176X	34233	34233
602918-13	Standard	4.10	706660-3X	26167X	706668X	706671X	34233	34233
602918-14	Powr-Lok	4.10	706660-3X	25188X	706174X	706176X	34233	34233
602918-15	Standard	4.56	706660-4X	26263X	706669X	706671X	34233	34233
602918-16	Powr-Lok	4.56	706660-4X	25189X	706175X	706176X	34233	34233
602918-17	Standard	4.56	706660-4X	26263X	706669X	706671X	34233	34233
602918-18	Powr-Lok	4.56	706660-4X	25189X	706175X	706176X	34233	34233
602918-21	Standard	3.73	706660-2X	26167X	706668X	706671X	34233	34233
602918-22	Powr-Lok	3.73	706660-2X	25188X	706174X	706176X	34233	34233
1967 1/2-68 1000 & 1100 Pick-up & Station Wagon								
602998-11	Standard	3.54	706660-1X	26167X	706668X	706671X	34233	34233
602998-12	Powr-Lok	3.54	706660-1X	25188X	706174X	706176X	34233	34233
602998-13	Standard	4.10	706660-3X	26167X	706668X	706671X	34233	34233
602998-14	Powr-Lok	4.10	706660-3X	25188X	706174X	706176X	34233	34233
602998-15	Standard	4.56	706660-4X	26263X	706669X	706671X	34233	34233
602998-16	Powr-Lok	4.56	706660-4X	25189X	706175X	706176X	34233	34233
602998-17	Standard	4.56	706660-4X	26263X	706669X	706671X	34233	34233
602998-18	Powr-Lok	4.56	706660-4X	25189X	706175X	706176X	34233	34233
602998-21	Standard	3.73	706660-2X	26167X	706668X	706671X	34233	34233
602998-22	Powr-Lok	3.73	706660-2X	25188X	706174X	706176X	34233	34233
1969-71 1000 & 1100 Pick-up & Station Wagon								
603053-1	Standard	3.54	706660-1X	26167X	706668X	706671X	34233	34233
603053-2	Powr-Lok	3.54	706660-1X	25188X	706174X	706176X	34233	34233
603053-3	Standard	4.10	706660-3X	26167X	706668X	706671X	34233	34233
603053-4	Powr-Lok	4.10	706660-3X	25188X	706174X	706176X	34233	34233
603053-5	Standard	4.56	706660-4X	26263X	706669X	706671X	34233	34233
603053-6	Powr-Lok	4.56	706660-4X	25189X	706175X	706176X	34233	34233
603053-7	Standard	4.88	706660-5X	26263X	706669X	706671X	34233	34233
603053-8	Powr-Lok	4.88	706660-5X	25189X	706175X	706176X	34233	34233
603053-9	Standard	3.73	706660-2X	26167X	706668X	706671X	34233	34233
603053-10	Powr-Lok	3.73	706660-2X	25188X	706174X	706176X	34233	34233
603053-12	Trac-Lok	3.54	706660-1X	27168-1X	706666X	706670X	34233	34233
603053-13	Trac-Lok	4.10	706660-3X	27168-1X	706666X	706670X	34233	34233
603053-14	Trac-Lok	4.56	706660-4X	27166-1X	706667X	706670X	34233	34233
603053-15	Trac-Lok	4.88	706660-5X	27166-1X	706667X	706670X	34233	34233
603053-16	Trac-Lok	3.73	706660-2X	27168-1X	706666X	706670X	34233	34233
1971 1/2-73 1000 & 1100 Pick-up & Station Wagon								
603259-1	Standard	3.54	706660-1X	706664X	706668X	706671X	35455-3	35455-3
603259-2	Trac-Lok	3.54	706660-1X	706662X	706666X	706670X	35455-3	35455-3
603259-3	Standard	4.10	706660-3X	706664X	706668X	706671X	35455-3	35455-3
603259-4	Trac-Lok	4.10	706660-3X	706662X	706666X	706670X	35455-3	35455-3
603259-9	Standard	3.73	706660-2X	706664X	706668X	706671X	35455-3	35455-3
603259-10	Trac-Lok	3.73	706660-2X	706662X	706666X	706670X	35455-3	35455-3
1973 1/2-75 1000 & 1100 Pick-up & Station Wagon								
603494-1	Standard	3.54	706660-1X	706664X	706668X	706671X	35455-4	35455-4
603494-2	Trac-Lok	3.54	706660-1X	706662X	706666X	706670X	35455-4	35455-4

Continued on next page

(7) See Ring Gear & Pinion Kits in XGI Catalog for ratio & tooth combinations.

(8) See Differential Case Assy Kits in XGI Catalog for spline data & ratios.

IHC Model 60 Rear Axles

Bill of Material Table

Axle			Axle Kits				Shaft & Joint Assy.	
Bill of Material	Diff. Type	Ratio	Ring Gear & Pinion Kit ⁽⁷⁾	Differential			Right Hand Shaft Assy.	Left Hand Shaft Assy.
				Case Assy. Kit ⁽⁸⁾	Case Kit	Inner Parts Kit		
1973 1/2-75 1000 & 1100 Pick-up & Station Wagon (Continued)								
603494-3	Standard	4.10	706660-3X	706664X	706668X	706671X	35455-4	35455-4
603494-4	Trac-Lok	4.10	706660-3X	706662X	706666X	706670X	35455-4	35455-4
603494-9	Standard	3.73	706660-2X	706664X	706668X	706671X	35455-4	35455-4
603494-10	Trac-Lok	3.73	706660-2X	706662X	706666X	706670X	35455-4	35455-4
1967-72 3/4 Ton Pick-up								
602755-1	Standard	4.10	706660-3X	706664X	706668X	706671X	32987-1	32987-1
602755-2	Powr-Lok	4.10	706660-3X	26519X	706174X	— ⁽⁹⁾	32987-1	32987-1
602755-3	Standard	4.56	706660-4X	706665X	706669X	706671X	32987-1	32987-1
602755-4	Powr-Lok	4.56	706660-4X	26258X	706175X	— ⁽⁹⁾	32987-1	32987-1
602755-5	Standard	4.88	706660-5X	706665X	706669X	706671X	32987-1	32987-1
602755-6	Powr-Lok	4.88	706660-5X	26258X	706175X	— ⁽⁹⁾	32987-1	32987-1
602755-7	Standard	5.87	706660-6X	706665X	706669X	706671X	32987-1	32987-1
602755-8	Powr-Lok	5.87	706660-6X	26521X	706175X	— ⁽⁹⁾	32987-1	32987-1
602755-9	Trac-Lok	4.10	706660-3X	706662X	706666X	706670X	32987-1	32987-1
602755-10	Trac-Lok	4.56	706660-4X	706663X	706667X	706670X	32987-1	32987-1
602755-11	Trac-Lok	4.88	706660-5X	706663X	706667X	706670X	32987-1	32987-1
602755-12	Trac-Lok	5.87	706660-6X	706663X	706667X	706670X	32987-1	32987-1
1968-75 1200 3/4 Station Wagon								
603054-1	Standard	4.10	706660-3X	706664X	706668X	706671X	32987-1	32987-1
603054-2	Powr-Lok	4.10	706660-3X	26519X	706174X	— ⁽⁹⁾	32987-1	32987-1
603054-3	Standard	4.88	706660-5X	706665X	706669X	706671X	32987-1	32987-1
603054-4	Powr-Lok	4.88	706660-5X	26521X	706175X	— ⁽⁹⁾	32987-1	32987-1
603054-5	Standard	5.87	706660-6X	706665X	706669X	706671X	32987-1	32987-1
603054-6	Powr-Lok	5.87	706660-6X	26521X	706175X	— ⁽⁹⁾	32987-1	32987-1
603054-7	Standard	4.56	706660-4X	706665X	706669X	706671X	32987-1	32987-1
603054-8	Powr-Lok	4.56	706660-4X	26521X	706175X	— ⁽⁹⁾	32987-1	32987-1
603054-9	Standard	3.73	706660-2X	706664X	706668X	706671X	32987-1	32987-1
603054-10	Powr-Lok	3.73	706660-2X	26519X	706174X	— ⁽⁹⁾	32987-1	32987-1
603054-11	Standard	3.54	706660-1X	706664X	706668X	706671X	32987-1	32987-1
603054-12	Powr-Lok	3.54	706660-1X	26519X	706174X	— ⁽⁹⁾	32987-1	32987-1
603054-13	Trac-Lok	4.10	706660-3X	706662X	706666X	706670X	32987-1	32987-1
603054-14	Trac-Lok	4.88	706660-5X	706663X	706667X	706670X	32987-1	32987-1
603054-15	Trac-Lok	5.87	706660-6X	706663X	706667X	706670X	32987-1	32987-1
603054-16	Trac-Lok	4.56	706660-4X	706663X	706667X	706670X	32987-1	32987-1
603054-17	Trac-Lok	3.73	706660-2X	706662X	706666X	706670X	32987-1	32987-1
603054-18	Trac-Lok	3.54	706660-1X	706662X	706666X	706670X	32987-1	32987-1
1973-75 1200 4 x 2 Vehicles								
603492-1	Standard	4.10	706660-3X	706664X	706668X	706671X	32987-3	32987-3
603492-2	Trac-Lok	4.10	706660-3X	706662X	706666X	706670X	32987-3	32987-3
603492-3	Standard	4.88	706660-5X	706665X	706669X	706671X	32987-3	32987-3
603492-4	Trac-Lok	4.88	706660-5X	706663X	706667X	706670X	32987-3	32987-3
603492-5	Standard	5.86	706660-6X	706665X	706669X	706671X	32987-3	32987-3
603492-6	Trac-Lok	5.86	706660-6X	706663X	706667X	706670X	32987-3	32987-3
603492-7	Standard	4.56	706660-4X	706665X	706669X	706671X	32987-3	32987-3
603492-8	Trac-Lok	4.56	706660-4X	706663X	706667X	706670X	32987-3	32987-3
603492-9	Standard	3.73	706660-2X	706664X	706668X	706671X	32987-3	32987-3
603492-10	Trac-Lok	3.73	706660-2X	706662X	706666X	706670X	32987-3	32987-3

Continued on next page

(7) See Ring Gear & Pinion Kits in XGI Catalog for ratio & tooth combinations.

(8) See Differential Case Assy Kits in XGI Catalog for spline data & ratios.

IHC Model 60 Rear Axles

Bill of Material Table

Axle			Axle Kits				Shaft & Joint Assy.	
Bill of Material	Diff. Type	Ratio	Ring Gear & Pinion Kit ⁽⁷⁾	Differential			Right Hand Shaft Assy.	Left Hand Shaft Assy.
				Case Assy. Kit ⁽⁸⁾	Case Kit	Inner Parts Kit		
1973-75 1200 4 x 2 Vehicles (Continued)								
603492-11	Standard	3.54	706660-1X	706664X	706668X	706671X	32987-3	32987-3
603492-12	Trac-Lok	3.54	706660-1X	706662X	706666X	706670X	32987-3	32987-3
1973-75 1200 4 x 4 Vehicles								
603490-1	Standard	4.10	706660-3X	706664X	706668X	706671X	32987-3	32987-3
603490-2	Trac-Lok	4.10	706660-3X	706662X	706666X	706670X	32987-3	32987-3
603490-3	Standard	4.88	706660-5X	706665X	706669X	706671X	32987-3	32987-3
603490-4	Trac-Lok	4.88	706660-5X	706663X	706667X	706670X	32987-3	32987-3
603490-9	Standard	3.73	706660-2X	706664X	706668X	706671X	32987-3	32987-3
603490-10	Trac-Lok	3.73	706660-2X	706662X	706666X	706670X	32987-3	32987-3
603490-11	Standard	3.54	706660-1X	706664X	706668X	706671X	32987-3	32987-3
603490-12	Trac-Lok	3.54	706660-1X	706662X	706666X	706670X	32987-3	32987-3

- (7) See Ring Gear & Pinion Kits in XGI Catalog for ratio & tooth combinations.
 (8) See Differential Case Assy Kits in XGI Catalog for spline data & ratios.

Axle Shaft Dimensions

Part Number	Spline		Flange Face to End of Spline	Flange Diameter	Bolts	
	Diameter & Number of Splines	Length			Circle Diameter	Number of Bolt Holes
32987-1	1 5/16" -30	1 13/16"	36 1/8"	4 3/4"	4"	6
32987-3	1 5/16" -30	1 13/16"	37 7/16"	4 3/4"	4"	6
34233	1 5/16" -30	1 13/16"	30 23/32"	7 1/16"	5 1/2"	5
35455-3	1 5/16" -30	1 13/16"	31 19/32"	7 1/16"	5 1/2"	5
35455-4	1 5/16" -30	1 13/16"	32 15/32"	7 1/16"	5 1/2"	5

Miscellaneous Small Parts - Use With All Applications

Full-Float Design

VEHICLE MODEL & BILL OF MATERIAL BASE NUMBER	Brake Mounting		Hub Seal (item 32)	Inner Wheel Bearing Kit (item 33)	Outer Wheel Bearing Kit (item 34)	Spindle Nut (item 36)	Spindle Nut Lockwasher (item 37)
	Bolt (item 30)	Nut (item 31)					
For 1200 Model Axle B.M. 603054, 603490, 603492	Contact Vehicle Manufacturer for Service				30350	30343	

Semi-Float Design

VEHICLE MODEL & BILL OF MATERIAL BASE NUMBER	Brake Mounting		Inboard Shaft Seal (item 39)	Wheel Bearing Retainer Ring (item 40)	Wheel Bearing Assembly (item 41)	Outboard Shaft Seal (item 42)	Oil Seal Retainer (item 43)
	Bolt (item 30)	Nut (item 31)					
For 1000 & 1100 Models Axle B.M. 602918, 602998, 603053	30175	30137	34419	32755	(1) { 550707 550708 }	32758	32762
Axle B.M. 603259	30175	30137	34419	32755	565903	35239	35238
Axle B.M. 603494	30175	36880	34419	32755	565903	35239	35238

(1) Not a Kit (1 each required for all applications listed)

IHC Model 60 Rear Axles Kit Components



ITEM NO.	DESCRIPTION	ITEM NO.	DESCRIPTION	ITEM NO.	DESCRIPTION
Carrier Cover		Differential Case Assembly (Trac-Lok)		Differential Parts (Powr-Lok)	
14	Carrier Cover	15	Carrier Cover Gasket / Sealant	15	Carrier Cover Gasket / Sealant
15	Carrier Cover Gasket / Sealant	20	KIT – Differential Bearing	53	Shaft – Differential
16	Plug – Carrier Cover	21	Shim – Differential Bearing	54	Pinion – Differential
17	Bolt – Carrier Cover	23	Bolt – Drive Gear	55	Gear – Differential
Drive Pinion & Gear Assembly		24	Pinion – Differential	56	Ring – Differential Gear
2	Drive Pinion & Gear Assembly	26	Thrustwasher – Diff. Pinion	57	Plate – Differential
3	KIT – Inner Pinion Bearing	28	Shaft – Differential	58	Disc – Differential
4	Inner Pinion Shims	29	Lock – Differential Shaft	59	Disc – Differential (dished)
5	Baffle – Pinion Bearing	44	Case – Differential	60	Plate – Differential (dished)
6	Outer Pinion Shims	45	Gear – Differential	Differential Parts (Trac-Lok)	
7	KIT – Outer Pinion Bearing	46	Spacer – Diff. Gear (dished)	15	Carrier Cover Gasket / Sealant
8	Slinger – Outer Pinion Bearing	47	Plate – Differential	23	Bolt – Drive Gear
9	Seal – Pinion Oil	48	Disc – Differential	24	Pinion – Differential
11	Washer – Pinion Nut	49	Plate – Differential	26	Thrustwasher – Diff. Pinion
12	Pinion Nut	50	Clip – Diff. Clutch Retainer	28	Shaft – Differential
15	Carrier Cover Gasket / Sealant	Differential Case (standard)		29	Lock – Differential Shaft
21	Shim – Differential Bearing	15	Carrier Cover Gasket / Sealant	45	Gear – Differential
23	Bolt – Drive Gear	21	Shim – Differential Bearing	46	Spacer – Diff. Gear (dished)
Differential Case Assembly (standard)		22	Case – Differential	47	Plate – Differential
15	Carrier Cover Gasket / Sealant	23	Bolt – Drive Gear	48	Disc – Differential
20	KIT – Differential Bearing	29	Lock – Differential Shaft	49	Plate – Differential
21	Shim – Differential Bearing	Differential Case (Powr-Lok)		50	Clip – Diff. Clutch Retainer
22	Case – Differential	15	Carrier Cover Gasket / Sealant		
23	Bolt – Drive Gear	21	Shim – Differential Bearing		
24	Pinion – Differential	23	Bolt – Drive Gear		
25	Gear – Differential	51	Flange Half – Differential Case		
26	Thrustwasher – Diff. Pinion	52	Cap Half – Differential Case		
27	Thrustwasher – Diff. Gear	61	Bolt – Differential Case		
28	Shaft – Differential Pinion	Differential Case (Trac-Lok)			
29	Lock – Differential Shaft	15	Carrier Cover Gasket / Sealant		
Differential Case Assembly (Powr-Lok)		21	Shim – Differential Bearing		
15	Carrier Cover Gasket / Sealant	23	Bolt – Drive Gear		
20	KIT – Differential Bearing	29	Lock – Differential Shaft		
21	Shim – Differential Bearing	44	Case – Differential		
23	Bolt – Drive Gear	Differential Parts (standard)			
51	Flange Half – Differential Case	15	Carrier Cover Gasket / Sealant		
52	Cap Half – Differential Case	23	Bolt – Drive Gear		
53	Shaft – Differential	24	Pinion – Differential		
54	Pinion – Differential	25	Gear – Differential		
55	Gear – Differential	26	Thrustwasher – Diff. Pinion		
56	Ring – Differential Gear	27	Thrustwasher – Diff. Gear		
57	Plate – Differential	28	Shaft – Differential Pinion		
58	Disc – Differential	29	Lock – Differential Shaft		
59	Disc – Differential (dished)				
60	Plate – Differential (dished)				
61	Bolt – Differential Case				

When replacing Carrier Cover Gasket, replace with same type originally used. RTV tube gasket recommended for use on flat flange type cover. Paper or cork gasket recommended for use on ribbed flange cover.

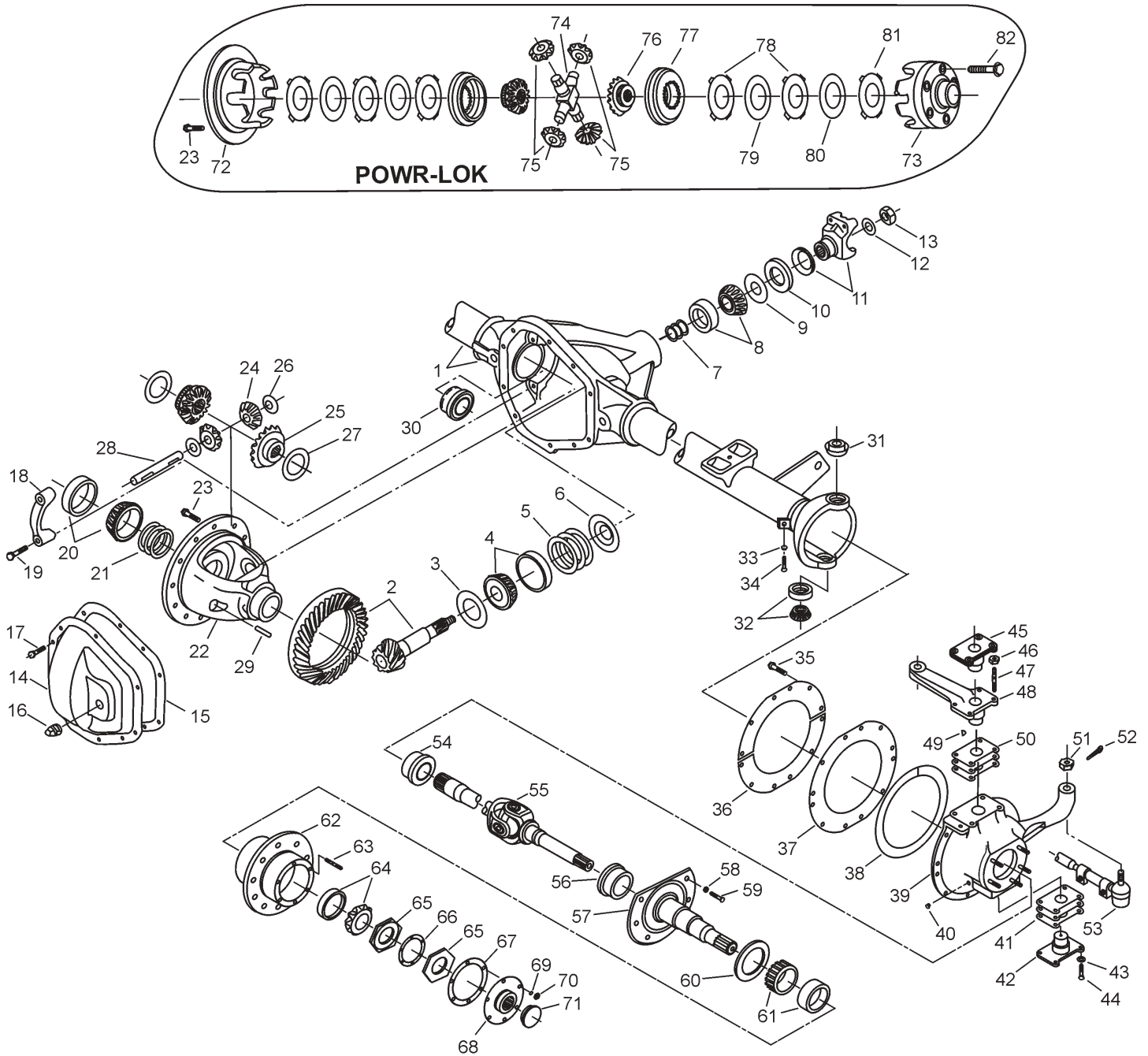
IHC 1967-1978

Model 70 Front Axles for

1300 1 Ton Pick-up

1600 1 1/4 Ton Truck

IHC Model 70 Front Axles Exploded View



IHC Model 70 Front Axles Parts Listing

ITEM NO.	PART IDENTIFICATION	ITEM NO.	PART IDENTIFICATION	ITEM NO.	PART IDENTIFICATION
1 ⁽¹⁾	Housing – Axle Service	30	Seal & Guide Tube	59	Screw – Hex Cap
2	Drive Pinion & Gear Assembly	31	Cone – King Pin Bushing	60	Oil Seal
3	Slinger – Inner Pinion Bearing	32	KIT – King Pin Bearing	61	KIT – Inner Wheel Bearing
4	KIT – Inner Pinion Bearing	33	Jam Nut	62 ⁽¹⁾	Wheel Hub
5	Inner Pinion Shim	34	Stop Screw	63	Stud
6	Baffle – Pinion Bearing	35	Bolt – Knuckle Oil Seal	64	KIT – Outer Wheel Bearing
7	Outer Pinion Shims	36	Plate – Seal Retaining	65	Nut – Wheel Bearing
8	KIT – Outer Pinion Bearing	37	Seal – Felt Knuckle	66	Lockwasher – Wheel Bearing Nut
9	Slinger – Outer Pinion Bearing	38	Seal Assembly – Knuckle Oil	67	Axle Drive Flange Gasket
10	Seal – Pinion Oil	39	Steering Knuckle	68	Flange & Plug Assy – Axle Drive
11 ⁽²⁾	End Yoke Assembly	40	Pipe Plug	69 ⁽¹⁾	Lockwasher
12	Washer – Pinion Nut	41	Shim – King Pin (lower)	70 ⁽¹⁾	Nut
13	Pinion Nut	42	Lower King Pin Bearing Cap	71	Plug – Axle Drive Flange
14	Carrier Cover	43	Lockwasher – King Pin Cap Bolt	Power-Lok & Trak-Lok Differential	
15	Carrier Cover Gasket / Sealant	44	Bolt – Lower King Pin Brg. Cap		
16	Plug – Carrier Cover	45	Upper King Pin Cap (RH)		
17	Bolt – Carrier Cover	46	Nut – Upper King Pin		
18 ⁽¹⁾	Differential Bearing Cap	47	Stud – Upper King Pin (LH)	72	Flange Half - Differential Case
19 ⁽¹⁾	Bolt – Differential Bearing Cap	48	Steering Arm Assembly (LH only)	73	Cap Half – Differential Case
20	KIT – Differential Bearing	49	Woodruff Key	74	Shaft – Differential
21	Shim – Differential Bearing	50	Shim – King Pin (upper)	75	Pinion – Differential
22	Case – Differential	51 ⁽¹⁾	Nut – Hex Slotted	76	Gear – Differential
23	Bolt – Drive Gear	52 ⁽¹⁾	Cotter Pin	77	Ring – Differential
24	Pinion – Differential	53 ⁽¹⁾	Tie Rod Assembly	78	Plate – Differential
25	Gear – Differential	54	Bushing – Axle Shaft	79	Disc – Differential
26	Thrustwasher – Diff. Pinion	55	Shaft & Joint Assembly	80	Disc – Differential (dished)
27	Thrustwasher – Diff. Gear	56	Bushing – Wheel Brg. Spindle	81	Plate – Differential (dished)
28	Shaft – Differential Pinion	57	Wheel Bearing Spindle Assy.	82	Bolt – Differential Case
29	Lock – Differential Shaft	58	Lockwasher		

(1) Contact Vehicle Manufacturer

(2) See Spicer Driveline Catalog J300P Section 10

Check availability on all Powr-Lok parts before ordering

IHC Model 70 Front Axles

Bill of Material Table

Axle			Axle Kits				Shaft & Joint Assy.	
Bill of Material	Diff. Type	Ratio	Ring Gear & Pinion Kit ⁽⁷⁾	Differential			Right Hand Shaft Assy.	Left Hand Shaft Assy.
				Case Assy. Kit ⁽⁸⁾	Case Kit	Inner Parts Kit		
1968 1/2-75 1300 1 Ton Pick-up - 2 Piece Case								
603058-1	Standard	4.88	706091-3X	706082X	706084X	706085X	903670-1	903670-2
603058-2	Powr-Lok	4.88	706091-3X	706234X	706054X	706057X	903670-1	903670-2
603058-3	Standard	4.88	706091-3X	706082X	706084X	706085X	903670-1	903670-2
603058-4	Powr-Lok	4.88	706091-3X	706234X	706054X	706057X	903670-1	903670-2
603058-5	Standard	6.17	706091-6X	706082X	706084X	706085X	903670-1	903670-2
603058-6	Powr-Lok	6.17	706091-6X	706234X	706054X	706057X	903670-1	903670-2
603058-7	Standard	6.17	706091-6X	706082X	706084X	706085X	903670-1	903670-2
603058-8	Powr-Lok	6.17	706091-6X	706234X	706054X	706057X	903670-1	903670-2
1973-75 1300 1 Ton Pick-up								
603361-1	Standard	4.88	706091-3X	706082X	706084X	706085X	903670-1	903670-2
603361-5	Standard	6.17	706091-6X	706652X	706056X	706058X	903670-1	903670-2
603361-9	Standard	4.88	706091-3X	706652X	706056X	706058X	903670-1	903670-2
1967-73 1600 1 1/4 Ton Truck - 2 Piece Case								
602979-9	Standard	6.17	706091-6X	706082X	706084X	706085X	902252-1	902252-2
602979-11	Powr-Lok	6.17	706091-6X	706234X	706054X	706057X	902252-1	902252-2
602979-10	Standard	6.17	706091-6X	706082X	706084X	706085X	902252-1	902252-2
602979-12	Powr-Lok	6.17	706091-6X	706234X	706054X	706057X	902252-1	902252-2
602979-13	Standard	7.17	706091-7X	706082X	706084X	706085X	902252-1	902252-2
602979-14	Standard	7.17	706091-7X	706082X	706084X	706085X	902252-1	902252-2
1971-72 1600 1 1/4 Ton Truck - 2 Piece Case								
603243-1	Standard	6.17	706091-6X	706082X	706084X	706085X	902252-1	902252-2
603243-2	Standard	6.17	706091-6X	706082X	706084X	706085X	902252-1	902252-2
603243-3	Standard	7.17	706091-7X	706082X	706084X	706085X	902252-1	902252-2
1972-78 1600 1 1/4 Ton Truck - Special Equipment Only								
603373-1	Standard	6.17	706091-6X	706082X	706084X	706085X	902252-1	902252-2
603373-3	Standard	7.17	706091-7X	706082X	706084X	706085X	902252-1	902252-2
603373-4	Standard	6.17	706091-6X	706652X	706056X	706058X	902252-1	902252-2
603373-6	Standard	7.17	706091-7X	706652X	706056X	706058X	902252-1	902252-2

(7) See Ring Gear & Pinion Kits in XGI Catalog for ratio & tooth combinations.

(8) See Differential Case Assy Kits in XGI Catalog for spline data & ratios.

IHC Model 70 Front Axles

Axle Kits & Parts - Use with All Applications

Description & Item Number (Refer to "Exploded View" at the front of this section)		Bills of Material				
		602979	603058	603243	603361	603373
KIT – Inner Pinion Bearing	4	706060X	706060X	706060X	706060X	706060X
Pinion & Bearing Adjusting Shim (inc. items 5, 7, 12, 13, 16)	—	706357X	706357X	706357X	706357X	706357X
Differential & Pinion Shim (inc. items 5, 7, 12, 13, 16, 22)	—	706213X	706213X	706213X	706213X	706213X
Outer Pinion Bearing	8	706045X	706045X	706045X	706045X	706045X
Carrier Cover (inc. 14, 15, 16, 17)	—	706163X	706163X	706163X	706163X	706163X
Differential Bearing Adj. Shim (16 & 22)	—	706378X	706378X	706378X	706378X	706378X
Differential Bearing	20	706047X	706047X	706047X	706047X	706047X
Seal & Guide Tube	30	37275	37275	37275	37275	37275
Cone – King Pin Bushing	31	31002	31002	31002	31002	31002
Steering Knuckle Assembly - LH (inc. 31, 32, 35, 36, 37, 38, 39, 40, 41, 42, 43, 44, 45, 46, 47, 49, 50)	N.I.	— ⁽³⁾	— ⁽³⁾	— ⁽³⁾	706222X	706222X
Steering Knuckle Assembly - LH (inc. 31, 32, 35, 36, 37, 38, 39, 40, 41, 42, 43, 44, 45, 46, 47, 49, 50)	N.I.	— ⁽³⁾	— ⁽³⁾	— ⁽³⁾	706229X	706223X
KIT – King Pin Bearing	32	706150X	706150X	706150X	706150X	706150X
Jam Nut	33	500381-3	500381-3	500381-3	500381-3	500381-3
Stop Screw	34	30902	30902	30902	30902	30902
KIT – Knuckle Oil Seal & Bolt (inc. 35, 36, 37, 38)	N.I.	706230X	706230X	706230X	706230X	706230X
Knuckle – Steering (RH)	39	— ⁽³⁾	— ⁽³⁾	— ⁽³⁾	36481	36481
Steering Arm (LH only)	39	— ⁽³⁾	— ⁽³⁾	— ⁽³⁾	36482	36482
Pipe Plug	40	— ⁽³⁾	— ⁽³⁾	— ⁽³⁾	36924	36924
Shim – King Pin Adjusting (lower)	41	⁽⁹⁾ 31005-1, -2, -3, -4	⁽⁹⁾ 31005-1, -2, -3, -4	⁽⁹⁾ 31005-1, -2, -3, -4	⁽⁹⁾ 31005-1, -2, -3, -4	⁽⁹⁾ 31005-1, -2, -3, -4
Cap – King Pin Bearing (lower)	42	35183	35183	35183	35183	35183
Lockwasher – Lower King Pin Cap	43	500357-13	500357-13	500357-13	500357-13	500357-13
Hex Bolt – Lower King Pin Cap	44	500412-12	500412-12	500412-12	500412-12	500412-12
Cap – King Pin (upper) (RH)	45	35184	35184	35184	35184	35184
Nut – King Pin (upper) (LH)	46	30875	30875	30875	30875	30875
Bolt – King Pin (upper) (RH)	"	500412-12	500412-12	500412-12	500412-12	500412-12
KIT – Steering Arm (inc 46, 48)	N.I.	— ⁽³⁾	— ⁽³⁾	— ⁽³⁾	706227X	706224X
Stud – King Pin (upper) (LH)	47	30874	30874	30874	30874	30874
Steering Arm Assembly (LH)	48	— ⁽³⁾	— ⁽³⁾	— ⁽³⁾	2656X	27242X
Woodruff Key	49	500007-12	500007-12	500007-12	500007-12	500007-12
Shim – King Pin Adjusting (upper)	50	⁽⁹⁾ 31005-1, -2, -3	⁽⁹⁾ 31005-1, -2, -3	⁽⁹⁾ 31005-1, -2, -3	⁽⁹⁾ 31005-1, -2, -3	⁽⁹⁾ 31005-1, -2, -3
Bushing – Axle Shaft	54	30864	30864	30864	30864	30864
Bushing – Wheel Bearing Spindle	56	30864	30864	30864	30864	30864
Spindle Assy. – Wheel Bearing (inc 56)	57	21382X	21348X	21348X	21348X	21348X
Axle Drive Flange Gasket	67	— ⁽³⁾	—	— ⁽³⁾	—	— ⁽³⁾
Axle Drive Flange & Plug Assy. (inc 71)	68	26049X	26049X	26049X	26049X	26049X
Axle Drive Flange Pug	71	500166-27	500166-25	500166-27	500166-25	500166-27

(3) Contact Vehicle Manufacturer for Service

(9) 31005-1 .005 thickness; 31005-2 .010 thickness; 31005-3 .030 thickness; 31005-4 .003 thickness

Dodge Model 70 Front Axles Kit Components

ITEM NO.	DESCRIPTION	ITEM NO.	DESCRIPTION	ITEM NO.	DESCRIPTION
Drive Pinion & Gear Assembly		Differential Case Assembly (Powr-Lok)		Differential Parts (standard) (1 piece Case)	
2	Drive Pinion & Gear Assembly	15	Carrier Cover Gasket / Sealant	15	Carrier Cover Gasket / Sealant
3	KIT – Inner Pinion Bearing	20	KIT – Differential Bearing	23	Bolt – Drive Gear
4	Inner Pinion Shims	21	Shim – Differential Bearing	24	Pinion – Differential
5	Baffle – Pinion Bearing	23	Bolt – Drive Gear	25	Gear – Differential
6	Outer Pinion Shims	72	Flange Half – Differential Case	26	Thrustwasher – Diff. Pinion
7	KIT – Outer Pinion Bearing	73	Cap Half – Differential Case	27	Thrustwasher – Diff. Gear
8	Slinger – Outer Pinion Bearing	74	Shaft – Differential	28	Shaft – Differential Pinion
9	Seal – Pinion Oil	75	Pinion – Differential	29	Lock – Differential Shaft
11	Washer – Pinion Nut	76	Gear – Differential	Differential Parts (standard) (2 piece Case)	
12	Pinion Nut	77	Ring – Differential Gear	15	Carrier Cover Gasket / Sealant
15	Carrier Cover Gasket / Sealant	78	Plate – Differential	23	Bolt – Drive Gear
21	Shim – Differential Bearing	79	Disc – Differential	24	Pinion – Differential
23	Bolt – Drive Gear	80	Disc – Differential (dished)	25	Gear – Differential
Differential Case Assembly (standard) (1 piece Case)		81	Plate – Differential (dished)	26	Thrustwasher – Diff. Pinion
15	Carrier Cover Gasket / Sealant	82	Bolt – Differential Case	27	Thrustwasher – Diff. Gear
20	KIT – Differential Bearing	Differential Case (standard) (1 piece Case)		74	Shaft – Differential Pinion
21	Shim – Differential Bearing	15	Carrier Cover Gasket / Sealant	Differential Parts (Powr-Lok)	
22	Case – Differential	21	Shim – Differential Bearing	15	Carrier Cover Gasket / Sealant
23	Bolt – Drive Gear	22	Case – Differential	74	Shaft – Differential
24	Pinion – Differential	23	Bolt – Drive Gear	75	Pinion – Differential
25	Gear – Differential	29	Lock – Differential Shaft	76	Gear – Differential
26	Thrustwasher – Diff. Pinion	Differential Case (standard) (2 piece Case)		77	Ring – Differential Gear
27	Thrustwasher – Diff. Gear	15	Carrier Cover Gasket / Sealant	78	Plate – Differential
28	Shaft – Differential Pinion	21	Shim – Differential Bearing	79	Disc – Differential
29	Lock – Differential Shaft	23	Bolt – Drive Gear	80	Disc – Differential (dished)
Differential Case Assembly (standard) (2 piece Case)		72	Flange Half – Differential Case	81	Plate – Differential (dished)
15	Carrier Cover Gasket / Sealant	73	Cap Half – Differential Case		
20	KIT – Differential Bearing	82	Bolt – Differential Case		
21	Shim – Differential Bearing	Differential Case (Powr-Lok)			
23	Bolt – Drive Gear	15	Carrier Cover Gasket / Sealant		
24	Pinion – Differential	21	Shim – Differential Bearing		
25	Gear – Differential	23	Bolt – Drive Gear		
26	Thrustwasher – Diff. Pinion	72	Flange Half – Differential Case		
27	Thrustwasher – Differential Gear	73	Cap Half – Differential Case		
72	Flange Half – Differential Case	82	Bolt – Differential Case		
73	Cap Half – Differential Case				
74	Shaft – Differential Pinion				
82	Bolt – Differential Case				

When replacing Carrier Cover Gasket, replace with same type originally used. RTV tube gasket recommended for use on flat flange type cover. Paper or cork gasket recommended for use on ribbed flange cover.

Axle Shaft Dimensions

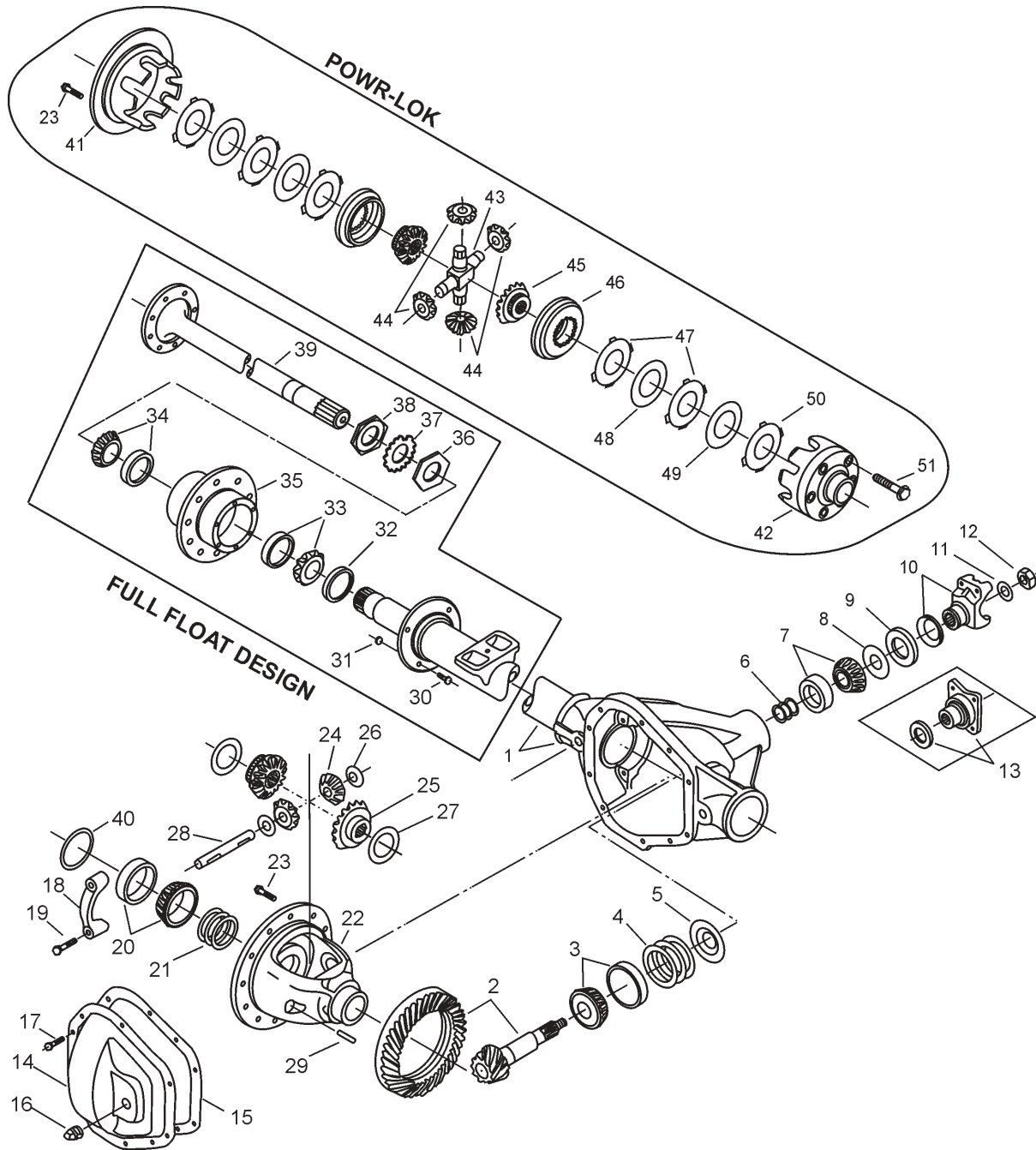
Complete Assembly Number	Inner Shaft - Side Gear End			Outer Shaft - Spline End			Axle Shaft & Joint Assembly		
	Major Spline Diameter	Centerline to End of Spline	Yoke Shaft Part Number	Major Spline Diameter	Centerline to End of Spline	Yoke Shaft Part Number	Side	Overall Length	Cross & Bearing Kit
902252-1	1 1/2" -35	24 3/16"	3-82-581-1	1 1/2" -35	11 1/32"	3-82-591	Right	35 7/32"	5-88X
902252-2	1 1/2" -35	39 1/2"	3-82-581-2	1 1/2" -35	11 1/32"	3-82-591	Left	50 31/32"	5-88X
903670-1	1 1/2" -35	18 5/16"	3-82-641-1	1 3/8" -21	11 1/32"	3-82-461-1	Right	29 11/32"	5-88X
903670-2	1 1/2" -35	35 7/16"	3-82-641-2	1 3/8" -21	11 1/32"	3-82-461-1	Left	46 15/32"	5-88X

IHC 1967-1975

Model 70 Rear Axles for

1300 1 Ton Pick-up & Motor Home

IHC Model 70 Rear Axles Exploded View



Axle Shaft Dimensions

Part Number	Spline		Flange Face to End of Spline	Flange Diameter	Bolts	
	Diameter & Number of Splines	Length			Circle Diameter	Number of Bolt Holes
36166-1	1 1/2" -35	1 5/8"	36 13/64"	4 3/4"	3 31/32"	8

IHC Model 70 Rear Axles Parts Listing

ITEM NO.	PART IDENTIFICATION	ITEM NO.	PART IDENTIFICATION	ITEM NO.	PART IDENTIFICATION
1 ⁽¹⁾	Housing – Axle Service	20	KIT – Differential Bearing	39	Shaft – Axle Flanged Drive
2	Drive Pinion & Gear Assembly	21	Shim – Differential Bearing	40	Spacer – Differential Bearing
3	KIT – Inner Pinion Bearing	22	Case – Differential		
4	Shim – Drive Pinion	23	Bolt – Drive Gear		
5	Baffle – Pinion Bearing	24	Pinion – Differential		Power-Lok & Trak-Lok Differential
6	Shim – Pinion Bearing	25	Gear – Differential		
7	KIT – Outer Pinion Bearing	26	Thrustwasher – Diff. Pinion	41	Flange Half - Differential Case
8	Slinger – Outer Pinion Bearing	27	Thrustwasher – Differential Gear	42	Cap Half – Differential Case
9	Seal – Pinion Oil	28	Shaft – Differential Pinion	43	Shaft – Differential
10 ⁽²⁾	End Yoke Assembly	29	Lock – Differential Shaft	44	Pinion – Differential
11	Washer – Pinion Nut	30 ⁽¹⁾	Brake Mounting Bolt	45	Gear – Differential
12	Pinion Nut	31 ⁽¹⁾	Brake Mounting Nut	46	Ring – Differential
13 ⁽²⁾	Companion Flange Assembly	32 ⁽¹⁾	Hub Seal	47	Plate – Differential
14	Carrier Cover	33 ⁽¹⁾	KIT – Inner Wheel Bearing	48	Disc – Differential
15	Carrier Cover Gasket / Sealant	34 ⁽¹⁾	KIT – Outer Wheel Bearing	49	Disc – Differential (dished)
16	Plug – Carrier Cover	35	Wheel Hub	50	Plate – Differential (dished)
17	Bolt – Carrier Cover	36 ⁽¹⁾	Spindle Nut – Inner	51	Bolt – Differential Case
18 ⁽¹⁾	Differential Bearing Cap	37 ⁽¹⁾	Lockwasher – Spindle Nut		
19 ⁽¹⁾	Bolt – Differential Bearing Cap	38 ⁽¹⁾	Spindle Nut – Outer		

(1) Contact Vehicle Manufacturer

(2) See Spicer Driveline Catalog J300P Section 10

Check availability on all Powr-Lok parts before ordering

Kit Components

ITEM NO.	DESCRIPTION	ITEM NO.	DESCRIPTION	ITEM NO.	DESCRIPTION
Drive Pinion & Gear Assembly		Differential Case Assembly (Powr-Lok)		Differential Case (Powr-Lok)	
2	Drive Pinion & Gear Assembly	16	Carrier Cover Gasket / Sealant	15	Carrier Cover Gasket / Sealant
3	KIT – Inner Pinion Bearing	20	KIT – Differential Bearing	21	Shim – Differential Bearing
4	Inner Pinion Shims	21	Shim – Differential Bearing	23	Bolt – Drive Gear
5	Baffle – Pinion Bearing	23	Bolt – Drive Gear	41	Flange Half – Differential Case
6	Outer Pinion Shims	40	Spacer – Differential Bearing	42	Cap Half – Differential Case
7	KIT – Outer Pinion Bearing	41	Flange Half – Differential Case	51	Bolt – Differential Case
8	Slinger – Outer Pinion Bearing	42	Cap Half – Differential Case		
9	Seal – Pinion Oil	43	Shaft – Differential	Differential Parts (Powr-Lok)	
11	Washer – Pinion Nut	44	Pinion – Differential	43	Shaft – Differential
12	Pinion Nut	45	Gear – Differential	44	Pinion – Differential
15	Carrier Cover Gasket / Sealant	46	Ring – Differential Gear	45	Gear – Differential
21	Shim – Differential Bearing	47	Plate – Differential	46	Ring – Differential Gear
23	Bolt – Drive Gear	48	Disc – Differential	47	Plate – Differential
40	Spacer – Differential Bearing	49	Disc – Differential (dished)	48	Disc – Differential
		50	Plate – Differential (dished)	49	Disc – Differential (dished)
		51	Bolt – Differential Case	50	Plate – Differential (dished)

When replacing Carrier Cover Gasket, replace with same type originally used. RTV tube gasket recommended for use on flat flange type cover. Paper or cork gasket recommended for use on ribbed flange cover.

IHC Model 70 Rear Axles

Bill of Material Table

Axle			Axle Kits				Shaft & Joint Assy.	
Bill of Material	Diff. Type	Ratio	Ring Gear & Pinion Kit ⁽⁷⁾	Differential			Right Hand Shaft Assy.	Left Hand Shaft Assy.
				Case Assy. Kit ⁽⁸⁾	Case Kit	Inner Parts Kit		
1967-75 1300 1 Ton Pick-up & Motor Home								
602976-12	Powr-Lok	3.73	706048-1X	706049X	706053X	706057X	36166-1	36166-1
602976-10	Powr-Lok	4.10	706048-2X	706049X	706053X	706057X	36166-1	36166-1
602976-2	Powr-Lok	4.88	706048-4X	706050X	706054X	706057X	36166-1	36166-1
602976-8	Powr-Lok	5.13	706048-5X	706050X	706054X	706057X	36166-1	36166-1
1973-75 1300 1 Ton Pick-up & Motor Home								
603491-1	Powr-Lok	3.73	706048-1X	706049X	706053X	706057X	36166-1	36166-1
603491-2	Powr-Lok	4.10	706048-2X	706049X	706053X	706057X	36166-1	36166-1
603491-3	Powr-Lok	4.88	706048-4X	706050X	706054X	706057X	36166-1	36166-1
603491-4	Powr-Lok	5.13	706048-5X	706050X	706054X	706057X	36166-1	36166-1

- (7) See Ring Gear & Pinion Kits in XGI Catalog for ratio & tooth combinations.
- (8) See Differential Case Assy Kits in XGI Catalog for spline data & ratios.

Common Axle Kits - Use with All Applications

ITEM NO.	DESCRIPTION	KIT PART NUMBER	ITEM NO.	DESCRIPTION	KIT PART NUMBER
Carrier Cover		706163X	Pinion & Bearing Adjusting Shim		706357X
14	Carrier Cover		4	Shim – Drive Pinion Adjusting	
15	Carrier Cover Gasket / Sealant		6	Shim – Pinion Bearing Adjusting	
16	Carrier Cover Plug		12	Pinion Nut	
17	Carrier Cover Bolt		15	Carrier Cover Gasket / Sealant	
Inner Pinion Bearing		706060X	Differential Bearing Adjusting Shim		706378X
3	KIT – Inner Pinion Bearing		15	Carrier Cover Gasket / Sealant	
Outer Pinion Bearing		706045X	21	Shim – Differential Bearing	
7	KIT – Outer Pinion Bearing		Differential & Pinion Shim		706213X
Differential Bearing		706047X	4	Shim – Drive Pinion Adjusting	
20	KIT – Differential Bearing		6	Shim – Pinion Bearing Adjusting	
			11	Washer – Pinion Nut	
			12	Pinion Nut	
			15	Carrier Cover Gasket / Sealant	
			21	Shim – Differential Bearing	

When replacing Carrier Cover Gasket, replace with same type originally used. RTV tube gasket recommended for use on flat flange type cover. Paper or cork gasket recommended for use on ribbed flange cover.

AMC/Jeep 1971-1978

Model 30 Front Axles for

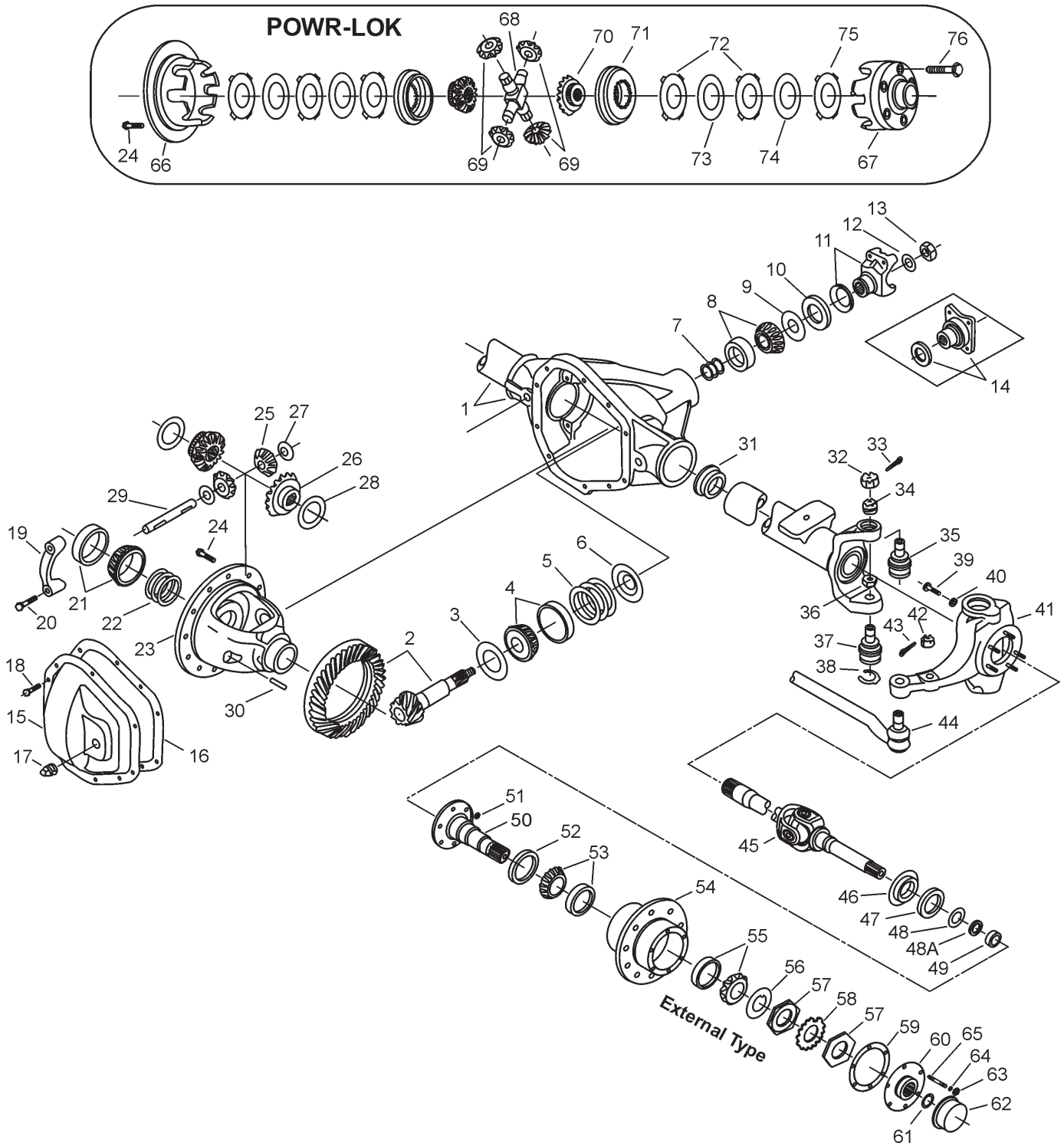
CJ-5, CJ-6, CJ-7

C101 Jeepster

Cherokee

Wagoneer

AMC/Jeep Model 30 Front Axles Exploded View



AMC/Jeep Model 30 Front Axles Parts Listing

ITEM NO.	PART IDENTIFICATION	ITEM NO.	PART IDENTIFICATION	ITEM NO.	PART IDENTIFICATION
1 ⁽¹⁾	Housing – Axle Service	28	Thrustwasher – Diff. Gear	53	KIT – Inner Wheel Bearing
2	Drive Pinion & Gear Assembly	29	Shaft – Differential Pinion	54 ⁽¹⁾	Wheel Hub
3	Slinger – Inner Pinion Bearing	30	Lock – Differential Shaft	55	KIT – Outer Wheel Bearing
4	KIT – Inner Pinion Bearing	31 ⁽¹⁾	Seal & Guide Tube	56	Lockwasher – Wheel Bearing
5	Inner Pinion Shims	32	Nut - Hex Slotted	57	Nut – Wheel Bearing
6	Baffle – Pinion Bearing	33	Cotter Pin	58	Lockwasher – Wheel Bearing Nut
7	Outer Pinion Shims	34	Adjusting Split Ring	59	Drive Flange Gasket
8	KIT – Outer Pinion Bearing	35	Upper Socket Assembly	60	Axle Drive Flange
9	Slinger – Outer Pinion Bearing	36	Lock Nut	61	Snap Ring
10	Seal – Pinion Oil	37	Lower Socket Assembly	62	Hub Cap
11 ⁽²⁾	End Yoke Assembly	38	Snap Ring	63	Lockwasher
12	Washer – Pinion Nut	39	Stop Screw	64	Nut
13	Pinion Nut	40	Jam Nut	65	Stud
14 ⁽²⁾	Companion Flange Assembly	41	Knuckle Assembly	Power-Lok & Trak-Lok Differential	
15	Carrier Cover	42 ⁽¹⁾	Nut - Hex Slotted	66	Flange Half – Differential Case
16	Carrier Cover Gasket / Sealant	43 ⁽¹⁾	Cotter Pin	67	Cap Half – Differential Case
17	Plug – Carrier Cover	44 ⁽¹⁾	Tie Rod Assembly	68	Shaft – Differential
18	Bolt – Carrier Cover	45	Shaft & Joint Assembly	69	Pinion – Differential
19 ⁽¹⁾	Differential Bearing Cap	46	Slinger – Spindle Yoke (pressed on axle shaft if used)	70	Gear – Differential
20 ⁽¹⁾	Bolt – Differential Bearing Cap	47	Oil Seal	71	Ring – Differential Gear
21	KIT – Differential Bearing	48	Spacer – Wheel Bearing Spindle	72	Plate – Differential
22	Shim – Differential Bearing	48A	Oil Seal - Block Vee	73	Disc – Differential
23	Case – Differential	49	Needle Bearing Assembly	74	Disc – Differential (dished)
24	Bolt – Drive Gear	50	Wheel Bearing Spindle	75	Plate – Differential (dished)
25	Pinion – Differential	51	Brake Mounting Nut	76	Bolt – Differential Case
26	Gear – Differential	52	Oil Seal		
27	Thrustwasher – Diff. Pinion				

(1) Contact Vehicle Manufacturer

(2) See Spicer Driveline Catalog J300P Section 10

Check availability on all Powr-Lok parts before ordering

AMC/Jeep Model 30 Front Axles

Bill of Material Table

Axle			Axle Kits				Shaft & Joint Assy.	
Bill of Material	Diff. Type	Ratio	Ring Gear & Pinion Kit ⁽⁷⁾	Differential			Right Hand Shaft Assy.	Left Hand Shaft Assy.
				Case Assy. Kit ⁽⁸⁾	Case Kit	Inner Parts Kit		
1971 CJ-5, CJ-6, CJ-7								
603311-1	Standard	3.73	706503-3X	706004X	706008X	706010X	905192-5	905192-6
603311-2	Standard	4.27	706503-8X	706004X	706008X	706010X	905192-5	905192-6
603311-3	Standard	3.73	706503-3X	706004X	706008X	706010X	905192-5	905192-6
603311-4	Standard	4.27	706503-8X	706004X	706008X	706010X	905192-5	905192-6
1972-75 CJ-5, CJ-6, CJ-7								
603365-1	Standard	3.73	706503-3X	706004X	706008X	706010X	905192-5	905192-6
603365-2	Standard	4.27	706503-8X	706004X	706008X	706010X	905192-5	905192-6
603365-3	Standard	3.73	706503-3X	706004X	706008X	706010X	905192-5	905192-6
603365-4	Standard	4.27	706503-8X	706004X	706008X	706010X	905192-5	905192-6
603365-5	Standard	4.88	706503-6X	706004X	706008X	706010X	905192-5	905192-6
1976 CJ-5, CJ-6, CJ-7								
603573-1	Standard	3.07	706503-10X	706003X	706007X	706010X	905192-5	905192-6
603573-2	Standard	3.54	706503-2X	706003X	706007X	706010X	905192-5	905192-6
603573-3	Standard	4.10	706503-4X	706004X	706008X	706010X	905192-5	905192-6
603573-4	Standard	4.10	706503-4X	706004X	706008X	706010X	905192-5	905192-6
1977-78 CJ-5, CJ-6, CJ-7								
603732-2	Standard	3.54	706503-2X	706003X	706007X	706010X	28179-3X	28179-4X
603732-3	Standard	4.10	706503-4X	706004X	706008X	706010X	28179-3X	28179-4X
603732-4	Standard	4.10	706503-4X	706004X	706008X	706010X	28179-3X	28179-4X
603732-5	Standard	3.54	706503-2X	706003X	706007X	706010X	28179-3X	28179-4X
1971 C101 Jeepster								
603311-1	Standard	3.73	706503-3X	706004X	706008X	706010X	905192-5	905192-6
603311-2	Standard	4.27	706503-8X	706004X	706008X	706010X	905192-5	905192-6
603311-3	Standard	3.73	706503-3X	706004X	706008X	706010X	905192-5	905192-6
603311-4	Standard	4.27	706503-8X	706004X	706008X	706010X	905192-5	905192-6
1972 C101 Jeepster								
603365-1	Standard	3.73	706503-3X	706004X	706008X	706010X	905192-5	905192-6
603365-2	Standard	4.27	706503-8X	706004X	706008X	706010X	905192-5	905192-6
603365-3	Standard	3.73	706503-3X	706004X	706008X	706010X	905192-5	905192-6
603365-4	Standard	4.27	706503-8X	706004X	706008X	706010X	905192-5	905192-6
603365-5	Standard	4.88	706503-6X	706004X	706008X	706010X	905192-5	905192-6
1971-72 Cherokee & Wagoneer								
603310-2	Standard	3.73	706503-3X	706004X	706008X	706010X	905298-2	905298-1
603310-4	Standard	3.31	706503-1X	706003X	706007X	706010X	905298-2	905298-1
603310-5	Standard	4.27	706503-8X	706004X	706008X	706010X	905298-2	905298-1
603310-6	Standard	3.73	706503-3X	706004X	706008X	706010X	905298-2	905298-1
603310-7	Standard	4.27	706503-8X	706004X	706008X	706010X	905298-2	905298-1
1973 Cherokee & Wagoneer								
603402-2	Standard	3.73	706503-3X	706004X	706008X	706010X	28135-1X	28135-2X
603402-4	Standard	3.31	706503-1X	706003X	706007X	706010X	28135-1X	28135-2X
603402-5	Standard	4.27	706503-8X	706004X	706008X	706010X	28135-1X	28135-2X
603402-6	Standard	3.73	706503-3X	706004X	706008X	706010X	28135-1X	28135-2X
603402-7	Standard	4.27	706503-8X	706004X	706008X	706010X	28135-1X	28135-2X

(7) See Ring Gear & Pinion Kits in XGI Catalog for ratio & tooth combinations.

(8) See Differential Case Assy Kits in XGI Catalog for spline data & ratios.

AMC/Jeep Model 30 Front Axles Axle Kits - Use with All Applications

Description & Item Number (Refer to "Exploded View" at the front of this section)		Bills of Material				
		603310	603331 603365	603402	603573	603732
Inner Pinion Bearing Kit	4	706015X	706015X	706015X	706015X	706015X
Pinion & Bearing Adjusting Shim (inc. items 5, 7, 12, 13, 16)	—	706360X	706360X	706360X	706385X	706385X
Differential & Pinion Shim (inc. items 5, 7, 12, 13, 16, 22)	—	706386X	706386X	706386X	706377X	706377X
KIT - Outer Pinion Bearing	8	706014X	706014X	706014X	706030X	706030X
Carrier Cover (inc. 15, 16, 17, 18)	—	— ⁽⁹⁾	706090X	706090X	706090X	706090X
Differential Bearing Adj. Shim (16, 22)	—	706087X	706087X	706087X	706087X	706087X
KIT - Differential Bearing	21	706016X	706016X	706016X	706016X	706016X
Seal & Guide Tube	31	— ⁽³⁾	36352	— ⁽³⁾	36352	36352
Steering Knuckle Assembly - RH (inc. items 32, 33, 34, 36, 41)	—	27830X	706210X	27830X	706210X	706535X
Steering Knuckle Assembly - LH	N.I.	27832X	706211X	27832X	706211X	706536X
Socket Assy (32,33,34,35,36,41)	—	30354	706107X	30354	706116X	706116X
Wheel Spindle Seal & Bearing (inc. items 47, 48, 48A, 49)	—	—	706212X	—	706212X	706527X
Wheel Bearing Spindle (inc. items 47, 48, 48A, 49, 50)	—	27503X	706541X	27503X	706541X	706537X
Oil Seal	47	—	34783	—	34783	34783
Oil Seal - Block Vee	48A	—	36361	—	36361	36361
Needle Bearing Assembly	49	18174	550759	18174	550759	550759
Nut - Brake Mounting	51	34827	35704	— ⁽³⁾	35704	35704
KIT - Inner Wheel Bearing	53	706578X	706578X	706578X	706578X	706578X
KIT - Outer Wheel Bearing	55	706111X	706111X	706111X	706111X	706111X
Lockwasher – Wheel Bearing	56	17015	17015	17015	17015	17015
Nut – Wheel Bearing	57	17016	17016	17016	17016	17016
Lockwasher – Wheel Bearing Nut	58	17017	17017	17017	17017	17017
Gasket-Drive Flange	59	18188	18188	18188	18188	18188
Flange-Axle Drive	60	36436	36436	36436	36436	36436
Snap Ring	61	18270	18270	18270	18270	18270
Hub Cap	62	32001	32001	32001	32001	32001
Lockwasher	63	501209-3	501209-3	501209-3	501209-3	501209-3

(3) Contact Vehicle Manufacturer

(9) For 1971 use Carrier Cover 23350X; For 1972 use 706090X

AMC/Jeep Model 30 Front Axles Kit Components

ITEM NO.	DESCRIPTION	ITEM NO.	DESCRIPTION	ITEM NO.	DESCRIPTION
Carrier Cover		Differential Case Assembly (Powr-Lok)		Differential Parts (standard)	
15	Carrier Cover	16	Carrier Cover Gasket / Sealant	16	Carrier Cover Gasket / Sealant
16	Carrier Cover Gasket / Sealant	21	KIT – Differential Bearing	24	Bolt – Drive Gear
17	Plug – Carrier Cover	22	Shim – Differential Bearing	25	Pinion – Differential
18	Bolt – Carrier Cover	24	Bolt – Drive Gear	26	Gear – Differential
Drive Pinion & Gear Assembly		66	Flange Half – Differential Case	27	Thrustwasher – Diff. Pinion
2	Drive Pinion & Gear Assembly	67	Cap Half – Differential Case	28	Thrustwasher – Diff. Gear
3	Slinger – Inner Pinion Bearing	68	Shaft – Differential	29	Shaft – Differential Pinion
4	KIT – Inner Pinion Bearing	69	Pinion – Differential	30	Lock – Differential Shaft
5	Inner Pinion Shims	70	Gear – Differential	Differential Parts (Powr-Lok)	
6	Baffle – Pinion Bearing	71	Ring – Differential Gear	16	Carrier Cover Gasket / Sealant
7	Outer Pinion Shims	72	Plate – Differential	68	Shaft – Differential
8	KIT – Outer Pinion Bearing	73	Disc – Differential	69	Pinion – Differential
9	Slinger – Outer Pinion Bearing	74	Disc – Differential (dished)	70	Gear – Differential
10	Seal – Pinion Oil	75	Plate – Differential (dished)	71	Ring – Differential Gear
12	Washer – Pinion Nut	76	Bolt – Differential Case	72	Plate – Differential
13	Pinion Nut	Differential Case (standard)		73	Disc – Differential
16	Carrier Cover Gasket / Sealant	16	Carrier Cover Gasket / Sealant	74	Disc – Differential (dished)
22	Shim – Differential Bearing	22	Shim – Differential Bearing	75	Plate – Differential (dished)
24	Bolt – Drive Gear	23	Case – Differential		
Differential Case Assembly (standard)		24	Bolt – Drive Gear		
16	Carrier Cover Gasket / Sealant	30	Lock – Differential Shaft		
21	KIT – Differential Bearing	Differential Case (Powr-Lok)			
22	Shim – Differential Bearing	16	Carrier Cover Gasket / Sealant		
23	Case – Differential	22	Shim – Differential Bearing		
24	Bolt – Drive Gear	24	Bolt – Drive Gear		
25	Pinion – Differential	66	Flange Half – Differential Case		
26	Gear – Differential	67	Cap Half – Differential Case		
27	Thrustwasher – Diff. Pinion	76	Bolt – Differential Case		
28	Thrustwasher – Diff. Gear				
29	Shaft – Differential Pinion				
30	Lock – Differential Shaft				

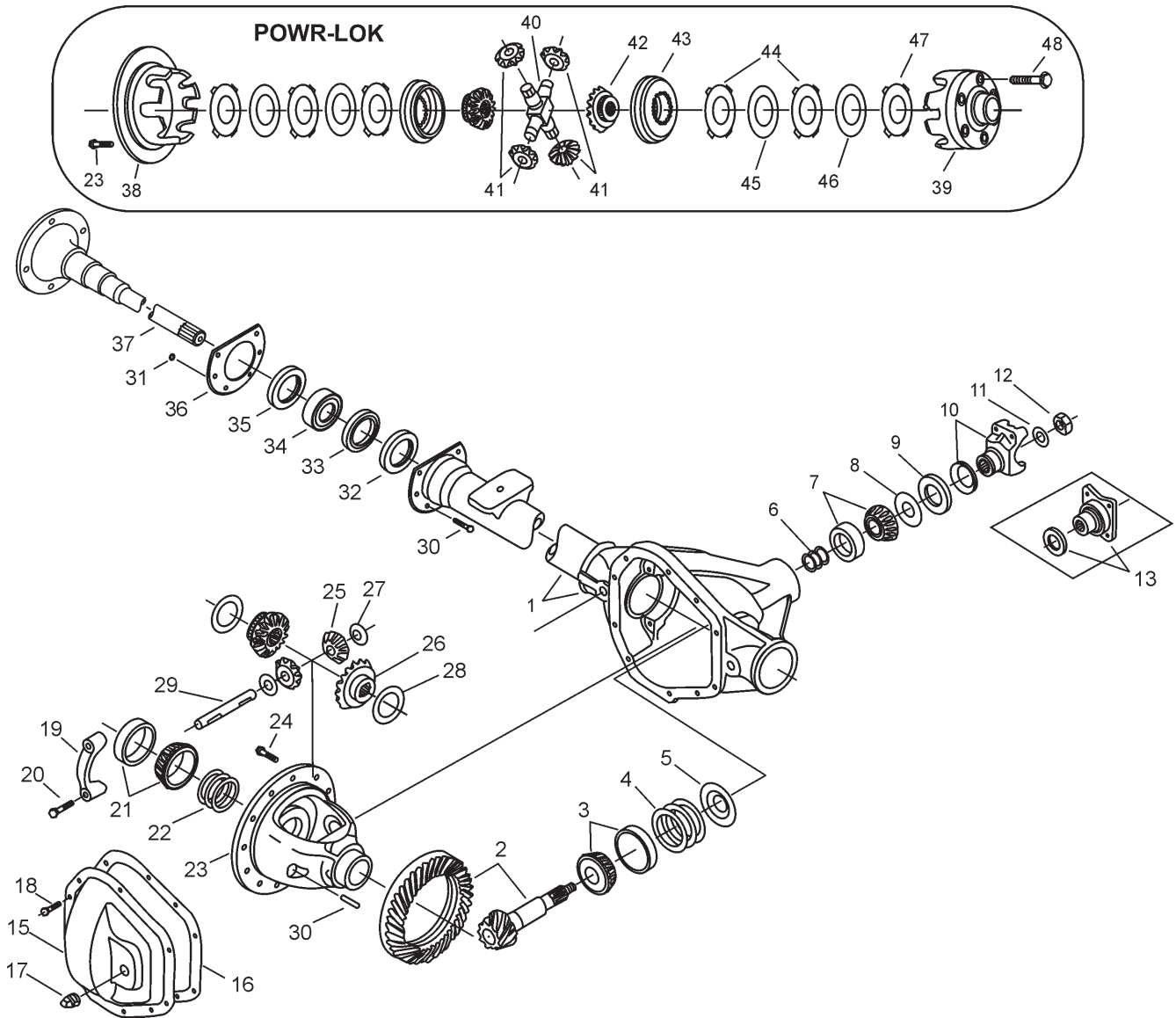
When replacing Carrier Cover Gasket, replace with same type originally used. RTV tube gasket recommended for use on flat flange type cover. Paper or cork gasket recommended for use on ribbed flange cover.

Axle Shaft Dimensions

Complete Assembly Number	Inner Shaft - Side Gear End			Outer Shaft - Spline End			Axle Shaft & Joint Assembly		
	Major Spline Diameter	Centerline to End of Spline	Yoke Shaft Part Number	Major Spline Diameter	Centerline to End of Spline	Yoke Shaft Part Number	Side	Overall Length	Cross & Bearing Kit
28135-1X	1 5/32" -27	32 17/32"	27658-1X	1 5/32" -27	8 7/32"	2-82-1391	Left	40 3/4"	5-260X
28135-2X	1 5/32" -27	15 29/32"	27658-2X	1 5/32" -27	8 7/32"	2-82-1391	Right	24 1/8"	5-260X
28179-3X	1 5/32" -27	14 9/64"	27941-3X	1 5/32" -27	8 23/32"	36617	Right	22 55/64"	5-260X
28179-4X	1 5/32" -27	27 1/64"	27941-4X	1 5/32" -27	8 23/32"	36617	Left	35 47/64"	5-260X
905192-5	1 5/32" -27	14 9/64"	2-82-1351-5	1 5/32" -27	8 23/32"	2-82-1371	Right	22 55/64"	5-260X
905192-6	1 5/32" -27	27 1/64"	2-82-1351-6	1 5/32" -27	8 23/32"	2-82-1371	Left	35 47/64"	5-260X
905298-1	1 5/32" -27	32 17/32"	27658-1X	1 5/32" -27	8 7/32"	3-82-1391	Right	40 3/4"	5-74X
905298-2	1 5/32" -27	15 29/32"	27658-2X	1 5/32" -27	8 7/32"	3-82-1391	Left	24 1/8"	5-74X

AMC/Jeep 1967-1968
Model 30 Rear Axles for
C101 Jeepster

AMC/Jeep Model 30 Rear Axles Exploded View



Miscellaneous Small Parts

VEHICLE MODEL & BILL OF MATERIAL BASE NUMBER	Brake Mounting		Inboard Shaft Seal (item 39)	Wheel Bearing Retainer Ring (item 40)	Wheel Bearing Assembly (item 41)	Outboard Shaft Seal (item 42)	Oil Seal Retainer (item 43)
	Bolt (item 30)	Nut (item 31)					
Axle B.M. 602883	— ⁽³⁾	35704	15969	—	(10) { 550183 550228 }	—	— ⁽³⁾

(3) Contact Vehicle Manufacturer for Service

(10) Not a Kit (1 each required for applications listed)

AMC/Jeep Model 30 Rear Axles Parts Listing

ITEM NO.	PART IDENTIFICATION	ITEM NO.	PART IDENTIFICATION	ITEM NO.	PART IDENTIFICATION
1 ⁽¹⁾	Housing – Axle Service	18 ⁽¹⁾	Cap – Differential Bearing	35	Seal – Outboard Shaft
2	Drive Pinion & Gear Assembly	19 ⁽¹⁾	Bolt – Differential Bearing Cap	36	Retainer – Oil Seal
3	KIT – Inner Pinion Bearing	20	KIT – Differential Bearing	37 ⁽¹⁾	Axle Shaft Assembly
4	Inner Pinion Bearing Shims	21	PKG – Diff Bearing Shim (inc 15)	Power-Lok & Trak-Lok Differential	
5	Baffle – Pinion Bearing	22	Case – Differential		
6	Outer Pinion Bearing Shims	23	Bolt – Drive Gear	38	Flange Half – Differential Case
7	KIT – Outer Pinion Bearing	24	Pinion – Differential	39	Cap Half – Differential Case
8	Slinger – Outer Pinion Bearing	25	Gear – Differential	40	Shaft – Differential
9	Seal – Pinion Oil	26	Thrustwasher – Diff Pinion	41	Pinion – Differential
10 ⁽²⁾	End Yoke Assembly	27	Thrustwasher – Diff Gear	42	Gear – Differential
11	Washer – Pinion Nut	28	Shaft – Differential	43	Ring – Differential Gear
12	Pinion Nut	29	Lock – Differential Shaft	44	Plate – Differential
13 ⁽²⁾	Companion Flange Assembly	30 ⁽¹⁾	Bolt – Brake Mounting	45	Disc – Differential
14	Carrier Cover	31	Nut – Brake Mounting	46	Disc – Differential (dished)
15	Gasket – Carrier Cover	32	Seal – Inboard Shaft	47	Plate – Differential (dished)
16	Plug – Carrier Cover	33	Retainer Ring – Wheel Bearing	48	Bolt – Differential Case
17	Bolt – Carrier Cover	34	Wheel Bearing Assembly		

(1) Contact Vehicle Manufacturer

(2) See Spicer Driveline Catalog J300P Section 10

Check availability on all Powr-Lok parts before ordering

Common Axle Kits - Use with All Applications

ITEM NO.	DESCRIPTION	KIT PART NUMBER	ITEM NO.	DESCRIPTION	KIT PART NUMBER
Carrier Cover		706013X	Pinion & Bearing Adjusting Shim		706360X
14	Carrier Cover		4	Shim – Drive Pinion Adjusting	
15	Carrier Cover Gasket / Sealant		6	Shim – Pinion Bearing Adjusting	
16	Carrier Cover Plug		12	Pinion Nut	
17	Carrier Cover Bolt		15	Carrier Cover Gasket / Sealant	
Inner Pinion Bearing		706015X	Differential Bearing Adjusting Shim		706087X
3	KIT – Inner Pinion Bearing		15	Carrier Cover Gasket / Sealant	
Outer Pinion Bearing		706014X	21	Shim – Differential Bearing	
7	KIT – Outer Pinion Bearing		Differential & Pinion Shim		706386X
Differential Bearing		706016X	4	Shim – Drive Pinion Adjusting	
20	KIT – Differential Bearing		6	Shim – Pinion Bearing Adjusting	
			11	Washer – Pinion Nut	
			12	Pinion Nut	
			15	Carrier Cover Gasket / Sealant	
			21	Shim – Differential Bearing	

When replacing Carrier Cover Gasket, replace with same type originally used. RTV tube gasket recommended for use on flat flange type cover. Paper or cork gasket recommended for use on ribbed flange cover.

AMC/Jeep Model 30 Rear Axles

Bill of Material Table

Axle			Axle Kits				Shaft & Joint Assy.	
Bill of Material	Diff. Type	Ratio	Ring Gear & Pinion Kit ⁽⁷⁾	Differential			Right Hand Shaft Assy.	Left Hand Shaft Assy.
				Case Assy. Kit ⁽⁸⁾	Case Kit	Inner Parts Kit		
1967-68 C-101 Jeepster								
602883-1	Standard	3.31	706000-1X	25821X	706007X	706010X	N.L.A.	N.L.A.
602883-2	Powr-Lok	3.31	706000-1X	24825X	706005X	706009X	N.L.A.	N.L.A.
602883-3	Standard	3.73	706000-3X	23772X	706008X	706010X	N.L.A.	N.L.A.
602883-4	Powr-Lok	3.73	706000-3X	25362X	706006X	706009X	N.L.A.	N.L.A.
602883-5	Standard	4.27	706000-8X	23772X	706008X	706010X	N.L.A.	N.L.A.
602883-6	Powr-Lok	4.27	706000-8X	25362X	706006X	706009X	N.L.A.	N.L.A.
602883-7	Standard	4.88	706000-6X	23772X	706008X	706010X	N.L.A.	N.L.A.
602883-8	Powr-Lok	4.88	706000-6X	25362X	706006X	706009X	N.L.A.	N.L.A.

(7) See Ring Gear & Pinion Kits in XGI Catalog for ratio & tooth combinations.

(8) See Differential Case Assy Kits in XGI Catalog for spline data & ratios.

N.L.A. - Tapered Axle Shafts No Longer Available

Kit Components

ITEM NO.	DESCRIPTION	ITEM NO.	DESCRIPTION	ITEM NO.	DESCRIPTION
Drive Pinion & Gear Assembly		Differential Case Assembly (Powr-Lok)		Differential Parts (standard)	
2	Drive Pinion & Gear Assembly	15	Carrier Cover Gasket / Sealant	15	Carrier Cover Gasket / Sealant
3	KIT – Inner Pinion Bearing	20	KIT – Differential Bearing	23	Bolt – Drive Gear
4	Inner Pinion Shims	21	Shim – Differential Bearing	24	Pinion – Differential
5	Baffle – Pinion Bearing	23	Bolt – Drive Gear	25	Gear – Differential
6	Outer Pinion Shims	38	Flange Half – Differential Case	26	Thrustwasher – Diff. Pinion
7	KIT – Outer Pinion Bearing	39	Cap Half – Differential Case	27	Thrustwasher – Diff. Gear
8	Slinger – Outer Pinion Bearing	40	Shaft – Differential	28	Shaft – Differential Pinion
9	Seal – Pinion Oil	41	Pinion – Differential	29	Lock – Differential Shaft
11	Washer – Pinion Nut	42	Gear – Differential	Differential Parts (Powr-Lok)	
12	Pinion Nut	43	Ring – Differential Gear	15	Carrier Cover Gasket / Sealant
15	Carrier Cover Gasket / Sealant	44	Plate – Differential	40	Shaft – Differential
21	Shim – Differential Bearing	45	Disc – Differential	41	Pinion – Differential
23	Bolt – Drive Gear	46	Disc – Differential (dished)	42	Gear – Differential
Differential Case Assembly (standard)		47	Plate – Differential (dished)	43	Ring – Differential Gear
15	Carrier Cover Gasket / Sealant	48	Bolt – Differential Case	44	Plate – Differential
20	KIT – Differential Bearing	Differential Case (standard)		45	Disc – Differential
21	Shim – Differential Bearing	15	Carrier Cover Gasket / Sealant	46	Disc – Differential (dished)
22	Case – Differential	21	Shim – Differential Bearing	47	Plate – Differential (dished)
23	Bolt – Drive Gear	22	Case – Differential		
24	Pinion – Differential	23	Bolt – Drive Gear		
25	Gear – Differential	29	Lock – Differential Shaft		
26	Thrustwasher – Diff. Pinion	Differential Case (Powr-Lok)			
27	Thrustwasher – Diff. Gear	15	Carrier Cover Gasket / Sealant		
28	Shaft – Differential Pinion	21	Shim – Differential Bearing		
29	Lock – Differential Shaft	23	Bolt – Drive Gear		
		38	Flange Half – Differential Case		
		39	Cap Half – Differential Case		
		48	Bolt – Differential Case		

When replacing Carrier Cover Gasket, replace with same type originally used. RTV tube gasket recommended for use on flat flange type cover. Paper or cork gasket recommended for use on ribbed flange cover.

AMC/Jeep 1971-1978

Model 44 Front Axles for

Cherokee

Cherokee Chief

J10, J20, J30

Post Office Dispatcher

Post Office Van

Wagoneer

AMC/Jeep Model 44 Front Axles Parts Listing

ITEM NO.	PART IDENTIFICATION	ITEM NO.	PART IDENTIFICATION	ITEM NO.	PART IDENTIFICATION
1 ⁽¹⁾	Housing – Axle Service	28	Thrustwasher – Diff. Gear	54	KIT – Inner Wheel Bearing
2	Drive Pinion & Gear Assembly	29	Shaft – Differential Pinion	55	Wheel Hub
3	Slinger – Inner Pinion Bearing	30	Lock – Differential Shaft	56	KIT – Outer Wheel Bearing
4	KIT – Inner Pinion Bearing	31	Seal & Guide Tube	57	Wheel Bearing Lockwasher
5	Inner Pinion Shims	32	Nut - Hex Slotted	58	Wheel Bearing Nut
6	Baffle – Pinion Bearing	33	Cotter Pin	59	Lockwasher – Wheel Brg Nut
7	Outer Pinion Shims	34	Adjusting Split Ring	60	Drive Flange Gasket
8	KIT – Outer Pinion Bearing	35	Upper Socket Assembly	61	Axle Drive Flange
9	Slinger – Outer Pinion Bearing	36	Lock Nut	62	Snap Ring
10	Seal – Pinion Oil	37	Lower Socket Assembly	63	Hub Cap
11 ⁽²⁾	End Yoke Assembly	38	Snap Ring	64	Nut
12	Washer – Pinion Nut	39	Stop Screw	65	Lockwasher
13	Pinion Nut	40	Jam Nut	66	Stud
14 ⁽²⁾	Companion Flange Assembly	41	Knuckle Assembly	67	Hub Cap
15	Carrier Cover	42 ⁽¹⁾	Nut - Hex Slotted	68	Axle Drive Gear
16	Carrier Cover Gasket / Sealant	43 ⁽¹⁾	Cotter Pin	69	Pressure Spring
17	Plug – Carrier Cover	44 ⁽¹⁾	Tie Rod Assembly	70	Spring Retaining Plate
18	Bolt – Carrier Cover	45	Shaft & Joint Assembly	71	Wheel Bearing Adjusting Nut
19 ⁽¹⁾	Differential Bearing Cap	46	Slinger – Spindle Yoke (pressed on axle shaft if used)	72	Lock Nut
20 ⁽¹⁾	Bolt – Differential Bearing Cap	47	Oil Seal	73	Nut & Pin Assembly – Inner Lock
21	KIT – Differential Bearing	48	Spacer – Wheel Bearing Spindle	74	KIT – Outer Wheel Bearing
22	Shim – Differential Bearing	49	Oil Seal - Block Vee	75	Wheel Hub
23	Case – Differential	50	Needle Bearing Assembly	76	KIT – Inner Wheel Bearing
24	Bolt – Drive Gear	51	Wheel Bearing Spindle	77	Oil Seal
25	Pinion – Differential	52	Brake Mounting Nut	78	Wheel Bearing Spindle
26	Gear – Differential	53	Oil Seal		
27	Thrustwasher – Diff. Pinion				

(1) Contact Vehicle Manufacturer

(2) See Spicer Driveline Catalog J300P Section 10

Check availability on all Powr-Lok parts before ordering

Common Axle Kits - Use with All Applications

Description & Item Number (Refer to "Exploded View" on previous page)	Part Number
Inner Pinion Bearing Kit	4 706031X
Pinion & Bearing Adjusting Shim (inc. items 5, 7, 12, 13, 16)	— 706358X
Differential & Pinion Shim (inc. items 5, 7, 12, 13, 16, 22)	— 706376X
Outer Pinion Bearing	8 706030X
Differential Bearing Adj. Shim (16, 22)	— 706086X
Differential Bearing	21 706032X

AMC/Jeep Model 44 Front Axles

Bill of Material Table

Axle			Axle Kits				Shaft & Joint Assy.	
Bill of Material	Diff. Type	Ratio	Ring Gear & Pinion Kit ⁽⁷⁾	Differential			Right Hand Shaft Assy.	Left Hand Shaft Assy.
				Case Assy. Kit ⁽⁸⁾	Case Kit	Inner Parts Kit		
1970 J10 6 Cylinder Light Truck								
603229-2	Standard	4.89	706613-13X	706695X	706696X	706616X	901258-1	901258-2
1971 J10 6 Cylinder Light Truck								
603229-1	Standard	4.09	706613-5X	706695X	706696X	706616X	901258-1	901258-2
603229-2	Standard	4.89	706613-13X	706695X	706696X	706616X	901258-1	901258-2
603229-3	Standard	3.54	706613-4X	706614X	706615X	706616X	901258-1	901258-2
603229-4	Standard	3.92	706613-14X	706695X	706696X	706616X	901258-1	901258-2
603229-5	Standard	4.27	706613-7X	706695X	706696X	706616X	901258-1	901258-2
1967 J10 V-8 Light Truck & J20, 30 Medium Truck								
602799-5	Standard	4.27	706613-7X	23583X	18458	18295X	21156-5X	21156-6X
1968-70 J10 V-8 Light Truck & J20, 30 Medium Truck								
603030-1	Standard	3.54	706613-4X	26142X	18422	18295X	21156-5X	21156-6X
603030-2	Standard	3.92	706613-14X	23583X	18458	18295X	21156-5X	21156-6X
603030-3	Standard	4.09	706613-5X	23583X	18458	18295X	21156-5X	21156-6X
603030-4	Standard	4.27	706613-7X	23583X	18458	18295X	21156-5X	21156-6X
603030-5	Standard	4.89	706613-13X	23583X	18458	18295X	21156-5X	21156-6X
1971-72 J10 V-8 Light Truck & J20, 30 Medium Truck								
603214-1	Standard	4.09	706613-5X	706695X	706696X	706616X	901258-1	901258-2
603214-2	Standard	4.89	706613-13X	706695X	706696X	706616X	901258-1	901258-2
603214-3	Standard	3.54	706613-4X	706614X	706615X	706616X	901258-1	901258-2
603214-4	Standard	3.92	706613-14X	706695X	706696X	706616X	901258-1	901258-2
603214-5	Standard	4.27	706613-7X	706695X	706696X	706616X	901258-1	901258-2
603214-7	Standard	4.89	706613-13X	706695X	706696X	706616X	901258-1	901258-2
603214-8	Standard	3.73	706613-6X	706614X	706615X	706616X	901258-1	901258-2
1973 J10 V-8 Light Truck & J20, 30 Medium Truck								
603403-1	Standard	4.09	706613-5X	706695X	706696X	706616X	28142-1X	28142-2X
603403-2	Standard	4.89	706613-13X	706695X	706696X	706616X	28142-1X	28142-2X
603403-7	Standard	4.89	706613-13X	706695X	706696X	706616X	28142-1X	28142-2X
603403-8	Standard	3.73	706613-6X	706614X	706615X	706616X	28142-1X	28142-2X
603403-9	Standard	4.09	706613-5X	706695X	706696X	706616X	28142-1X	28142-2X
1974-73 J10 Light Truck with Disc Brakes								
603464-1	Standard	4.09	706613-5X	706695X	706696X	706616X	29833-5X	29833-6X
603464-5	Standard	3.54	706613-4X	706614X	706615X	706616X	29833-5X	29833-6X
1977 J10 Light Truck with Disc Brakes								
610017-1	Standard	4.09	706613-5X	706695X	706696X	706616X	660091-5	660091-6
610017-2	Standard	4.89	706613-13X	706695X	706696X	706616X	660091-5	660091-6
610017-4	Standard	4.89	706613-13X	706695X	706696X	706616X	660091-5	660091-6
610017-5	Standard	3.73	706613-6X	706614X	706615X	706616X	660091-5	660091-6
610017-6	Standard	3.54	706613-4X	706614X	706615X	706616X	660091-5	660091-6
1978 J10 Light Truck with Disc Brakes								
603685-1	Standard	4.09	706613-5X	706695X	706696X	706616X	660091-5	660091-6
603685-2	Standard	4.89	706613-13X	706695X	706696X	706616X	660091-5	660091-6
603685-3	Standard	3.31	706613-11X	706614X	706615X	706616X	660091-5	660091-6
603685-5	Standard	3.73	706613-6X	706614X	706615X	706616X	660091-5	660091-6
603685-6	Standard	3.54	706613-4X	706614X	706615X	706616X	660091-5	660091-6
1974-76 J10 Light Truck with Drum Brakes								
603465-3	Standard	4.09	706613-5X	706695X	706696X	706616X	28037-8X	28037-9X
603465-5	Standard	3.54	706613-4X	706614X	706615X	706616X	28037-8X	28037-9X

(7) See Ring Gear & Pinion Kits in XGI Catalog for ratio & tooth combinations.

(8) See Differential Case Assy Kits in XGI Catalog for spline data & ratios.

AMC/Jeep Model 44 Front Axles

Bill of Material Table

Axle			Axle Kits				Shaft & Joint Assy.	
Bill of Material	Diff. Type	Ratio	Ring Gear & Pinion Kit ⁽⁷⁾	Differential			Right Hand Shaft Assy.	Left Hand Shaft Assy.
				Case Assy. Kit ⁽⁸⁾	Case Kit	Inner Parts Kit		
1967 J10, J20 6 Cylinder								
602577-1	Standard	4.89	706613-13X	23583X	18458	18295X	21156-5X	21156-6X
602577-3	Standard	4.89	706613-13X	23583X	18458	18295X	21156-5X	21156-6X
602577-5	Standard	5.89	706613-10X	23583X	18458	18295X	21156-5X	21156-6X
602577-6	Standard	5.89	706613-10X	23583X	18458	18295X	21156-5X	21156-6X
602577-7	Standard	4.89	706613-13X	23583X	18458	18295X	21156-5X	21156-6X
1968 J10, J20 6 Cylinder								
603031-1	Standard	4.89	706613-13X	23583X	18458	18295X	21156-5X	21156-6X
1969 J20 Heavy Truck								
603124-1	Standard	4.09	706613-5X	23583X	18458	18295X	21156-5X	21156-6X
1970-72 J20 Heavy Truck								
603213-1	Standard	4.09	706613-5X	706695X	706696X	706616X	901258-1	901258-2
603213-2	Standard	4.89	706613-13X	706695X	706696X	706616X	901258-1	901258-2
1973 J20 Heavy Truck								
603404-1	Standard	4.09	706613-5X	706695X	706696X	706616X	28142-1X	28142-2X
603404-3	Standard	4.89	706613-13X	706695X	706696X	706616X	28142-1X	28142-2X
1974-76 J20 Heavy Truck & J20, J30 Medium Truck								
603466-1	Standard	4.09	706613-5X	706695X	706696X	706616X	29833-5X	29833-6X
603466-2	Standard	4.89	706613-13X	706695X	706696X	706616X	29833-5X	29833-6X
603466-4	Standard	4.89	706613-13X	706695X	706696X	706616X	29833-5X	29833-6X
603466-5	Standard	3.73	706613-6X	706614X	706615X	706616X	29833-5X	29833-6X
1977 J20 Heavy Truck & J20, J30 Medium Truck								
610017-1	Standard	4.09	706613-5X	706695X	706696X	706616X	660091-5	660091-6
610017-2	Standard	4.89	706613-13X	706695X	706696X	706616X	660091-5	660091-6
610017-4	Standard	4.89	706613-13X	706695X	706696X	706616X	660091-5	660091-6
610017-5	Standard	3.73	706613-6X	706614X	706615X	706616X	660091-5	660091-6
610017-6	Standard	3.54	706613-4X	706614X	706615X	706616X	660091-5	660091-6
1978 J20 Heavy Truck & J20, J30 Medium Truck								
603685-1	Standard	4.09	706613-5X	706695X	706696X	706616X	660091-5	660091-6
603685-2	Standard	4.89	706613-13X	706695X	706696X	706616X	660091-5	660091-6
603685-3	Standard	3.31	706613-11X	706614X	706615X	706616X	660091-5	660091-6
603685-5	Standard	3.73	706613-6X	706614X	706615X	706616X	660091-5	660091-6
603685-6	Standard	3.54	706613-4X	706614X	706615X	706616X	660091-5	660091-6
1975-76 Cherokee Chief								
603633-1	Standard	3.54	706613-4X	706614X	706615X	706616X	29833-5X	29833-6X
603633-2	Standard	4.09	706613-5X	706695X	706696X	706616X	29833-5X	29833-6X
1977 Cherokee Chief								
610017-1	Standard	4.09	706613-5X	706695X	706696X	706616X	660091-5	660091-6
610017-2	Standard	4.89	706613-13X	706695X	706696X	706616X	660091-5	660091-6
610017-4	Standard	4.89	706613-13X	706695X	706696X	706616X	660091-5	660091-6
610017-5	Standard	3.73	706613-6X	706614X	706615X	706616X	660091-5	660091-6
610017-6	Standard	3.54	706613-4X	706614X	706615X	706616X	660091-5	660091-6
1978 Cherokee Chief								
603685-1	Standard	4.09	706613-5X	706695X	706696X	706616X	660091-5	660091-6
603685-2	Standard	4.89	706613-13X	706695X	706696X	706616X	660091-5	660091-6
603685-3	Standard	3.31	706613-11X	706614X	706615X	706616X	660091-5	660091-6
603685-5	Standard	3.73	706613-6X	706614X	706615X	706616X	660091-5	660091-6
603685-6	Standard	3.54	706613-4X	706614X	706615X	706616X	660091-5	660091-6

(7) See Ring Gear & Pinion Kits in XGI Catalog for ratio & tooth combinations.

(8) See Differential Case Assy Kits in XGI Catalog for spline data & ratios.

AMC/Jeep Model 44 Front Axles

Bill of Material Table

Axle			Axle Kits				Shaft & Joint Assy.	
Bill of Material	Diff. Type	Ratio	Ring Gear & Pinion Kit ⁽⁷⁾	Differential			Right Hand Shaft Assy.	Left Hand Shaft Assy.
				Case Assy. Kit ⁽⁸⁾	Case Kit	Inner Parts Kit		
1974-76 Wagoneer & Cherokee w/Disc Brakes								
603462-3	Standard	4.09	706613-5X	706695X	706696X	706616X	660091-3	660091-4
603462-5	Standard	3.07	706613-2X	706614X	706615X	706616X	660091-3	660091-4
603462-6	Standard	3.54	706613-4X	706614X	706615X	706616X	660091-3	660091-4
1977 Wagoneer & Cherokee w/Disc Brakes								
610014-3	Standard	4.09	706613-5X	706695X	706696X	706616X	660091-3	660091-4
610014-5	Standard	3.07	706613-2X	706614X	706615X	706616X	660091-3	660091-4
610014-6	Standard	3.54	706613-4X	706614X	706615X	706616X	660091-3	660091-4
1978 Wagoneer & Cherokee w/Disc Brakes								
603693-1	Standard	3.07	706613-2X	706614X	706615X	706616X	660091-3	660091-4
603693-2	Standard	3.54	706613-4X	706614X	706615X	706616X	660091-3	660091-4
603693-3	Standard	4.09	706613-5X	706695X	706696X	706616X	660091-3	660091-4
603693-5	Standard	3.07	706613-2X	706614X	706615X	706616X	660091-3	660091-4
603693-6	Standard	3.54	706613-4X	706614X	706615X	706616X	660091-3	660091-4
1974-76 Wagoneer & Cherokee w/Drum Brakes								
603463-3	Standard	4.09	706613-5X	706695X	706696X	706616X	28037-10X	28037-11X
603463-5	Standard	3.54	706613-4X	706614X	706615X	706616X	28037-10X	28037-11X
603463-6	Standard	3.07	706613-2X	706614X	706615X	706616X	28037-10X	28037-11X
603463-7	Standard	4.09	706613-5X	706695X	706696X	706616X	28037-10X	28037-11X
1975-78 Post Office Dispatcher - Dead Front								
Use Bill of Material 603589								
1971-73 Post Office Van - Dead Front								
Use Bill of Material 603399								
1975-76 Post Office Van - Dead Front								
Use Bill of Material 603598								

(7) See Ring Gear & Pinion Kits in XGI Catalog for ratio & tooth combinations.
(8) See Differential Case Assy Kits in XGI Catalog for spline data & ratios.

AMC/Jeep Model 44 Front Axles Kits & Small Parts - Use with All Applications

Description & Item Number (Refer to "Exploded View" at the front of this section)		Bills of Material				
		602577	602799	603030	603031	603124
Carrier Cover (inc. 15, 16, 17, 18)	—	23505X	23505X	706141X	23505X	23505X
Seal & Guide Tube	31	—	—	—	—	—
Seal	—	17335	17335	17335	17335	17335
Guide	—	30703	30703	30703	30703	30703
Steering Knuckle Assembly - RH (inc. items 32, 33, 34, 36, 41)	—	32491	32491	27830X	32491	706205X
Steering Knuckle Assembly - LH	N.I.	30071	30071	27832X	30071	30071
Socket Assy (32,33,34,35,36,37,38)		30354	30354	30354	30354	30354
Stop Screw	39	31026-1	31026-1	31026-1	31026-1	31026-1
Jam Nut	40	500381-3	500381-3	500381-3	500381-3	500381-3
Wheel Spindle Seal & Bearing (inc. items 47, 48, 49, 50)		—	—	—	—	—
Wheel Bearing Spindle (inc. items 47, 48, 49, 50, 51 or 78)		24830X	27503X	27503X	24830X	— ⁽³⁾
Oil Seal	47	—	—	—	—	—
Spacer - Wheel Bearing Spindle	48	—	—	—	—	—
Oil Seal - Block Vee	49	—	—	—	—	—
Needle Bearing Assembly	50	— ⁽³⁾	18174	18174	— ⁽³⁾	18174
Nut - Brake Mounting	52	32862	34827	34827	32682	34827
Oil Seal	53	— ⁽³⁾	— ⁽³⁾	— ⁽³⁾	— ⁽³⁾	— ⁽³⁾
Inner Wheel Bearing	54/76	706110X	— ⁽³⁾	— ⁽³⁾	706110X	706217X
Wheel Hub	55	— ⁽³⁾	— ⁽³⁾	— ⁽³⁾	— ⁽³⁾	— ⁽³⁾
Outer Wheel Bearing	56/74	706111X	— ⁽³⁾	— ⁽³⁾	706111X	706216X
Lockwasher-Wheel Bearing	57	17015	17015	17015	17015	30342
Nut-Wheel Bearing	58	17016	17016	17016	17016	30350
Lockwasher-Wheel Bearing Nut	59	17017	17017	17017	17017	30343
Gasket-Drive Flange	60	18188	18188	18188	18188	30344
Flange-Axle Drive	61	17153	17153	17153	17153	35463
Snap Ring	62	18270	18270	18270	18270	18270
Hub Cap	63	17071	17071	—	17071	32001
Nut	64	— ⁽³⁾	— ⁽³⁾	— ⁽³⁾	— ⁽³⁾	500371-3
Lockwasher	65	501209-3	501209-3	501209-3	501209-3	501209-3
Stud	66	—	—	—	—	31017
Hub Cap	67	—	—	—	—	—
Axle Drive Gear	68	—	—	—	—	—
Pressure Spring	69	—	—	—	—	—
Plate-Spring Retaining	70	—	—	—	—	—
Wheel Bearing Adjusting Nut	71	—	—	—	—	—
Retaining Lock Nut	72	—	—	—	—	—
Nut & Pin Assembly-Inner Lock	73	—	—	—	—	—
Wheel Hub	75	—	—	—	—	—
Oil Seal	77	—	—	—	—	—
Hub Lock Assembly	N.I.	—	—	—	—	—

(3) Contact Vehicle Manufacturer

AMC/Jeep Model 44 Front Axles Kits & Small Parts - Use with All Applications

Description & Item Number (Refer to "Exploded View" at the front of this section)		Bills of Material				
		603212	603213	603214 603229	603399	603403
Carrier Cover (inc. 15, 16, 17, 18)	—	706141X	706141X	706141X	—	706141X
Seal & Guide Tube	31	—	—	—	—	—
Seal	—	17335	32542-1	32542-1	—	32542-1
Guide	—	30703	30703	30703	—	30703
Steering Knuckle Assembly - RH (inc. items 32, 33, 34, 36, 41)	—	27830X	27830X	27830X	706210X	27830X
Steering Knuckle Assembly - LH	N.I.	27832X	27832X	27832X	706211X	27832X
Socket Assy (32,33,34,35,36,37,38)		30354	30354	30354	706116X	30354
Stop Screw	39	31026-1	31026-1	31026-1	31026-1	31026-1
Jam Nut	40	500381-3	500381-3	500381-3	500381-3	500381-3
Wheel Spindle Seal & Bearing (inc. items 47, 48, 49, 50)		—	—	—	—	—
Wheel Bearing Spindle (inc. items 47, 48, 49, 50, 51 or 78)		27503X	— ⁽³⁾	27503X	—	27503X
Oil Seal	47	—	—	—	—	—
Spacer - Wheel Bearing Spindle	48	—	—	—	—	—
Oil Seal - Block Vee	49	—	—	—	—	—
Needle Bearing Assembly	50	18174	18174	18174	36544	18174
Nut - Brake Mounting	52	34827	34827	34827	35704	34827
Oil Seal	53	— ⁽³⁾	30348	— ⁽³⁾	— ⁽³⁾	— ⁽³⁾
Inner Wheel Bearing	54/76	— ⁽³⁾	706217X	— ⁽³⁾	—	— ⁽³⁾
Wheel Hub	55	— ⁽³⁾	— ⁽³⁾	—	— ⁽³⁾	—
Outer Wheel Bearing	56/74	— ⁽³⁾	706216X	— ⁽³⁾	—	— ⁽³⁾
Lockwasher-Wheel Bearing	57	17015	30342	17015	17015	17015
Nut-Wheel Bearing	58	17016	30350	17016	17016	17016
Lockwasher-Wheel Bearing Nut	59	17017	30343	17017	17017	17017
Gasket-Drive Flange	60	18188	30344	18188	18188	18188
Flange-Axle Drive	61	17153	35463	17153	—	17153
Snap Ring	62	18270	18270	18270	—	18270
Hub Cap	63	17071	32001	17071	— ⁽³⁾	17071
Nut	64	— ⁽³⁾	500371-3	— ⁽³⁾	— ⁽³⁾	— ⁽³⁾
Lockwasher	65	501209-3	501209-3	501209-3	— ⁽³⁾	501209-3
Stud	66	31017	31017	—	— ⁽³⁾	—
Hub Cap	67	—	—	—	—	—
Axle Drive Gear	68	—	—	—	—	—
Pressure Spring	69	—	—	—	—	—
Plate-Spring Retaining	70	—	—	—	—	—
Wheel Bearing Adjusting Nut	71	—	—	—	—	—
Retaining Lock Nut	72	—	—	—	—	—
Nut & Pin Assembly-Inner Lock	73	—	—	—	—	—
Wheel Hub	75	—	—	—	—	—
Oil Seal	77	—	—	—	—	—
Hub Lock Assembly	N.I.	—	—	—	—	—

AMC/Jeep Model 44 Front Axles Kits & Small Parts - Use with All Applications

Description & Item Number (Refer to "Exploded View" at the front of this section)		Bills of Material				
		603404	603462	603463	603464	603465
Carrier Cover (inc. 15, 16, 17, 18)	—	706141X	706141X	706141X	706141X	706141X
Seal & Guide Tube	31	—	36352	36352	36352	36352
Seal	—	32542-1	—	—	—	—
Guide	—	30703	—	—	—	—
Steering Knuckle Assembly - RH (inc. items 32, 33, 34, 36, 41)	—	706408X	706134X	706147X	32460	706147X
Steering Knuckle Assembly - LH	N.I.	— ⁽³⁾	706116X	706148X	32461	706148X
Socket Assy (32,33,34,35,36,37,38)		30354	706143X	706116X	—	706116X
Stop Screw	39	31026-1	31026-1	31026-1	31026-1	31026-1
Jam Nut	40	500381-3	500381-3	500381-3	500381-3	500381-3
Wheel Spindle Seal & Bearing (inc. items 47, 48, 49, 50)		—	706527X	706527X	—	706527X
Wheel Bearing Spindle (inc. items 47, 48, 49, 50, 51 or 78)		— ⁽³⁾	706528X	706539X	26288X	706539X
Oil Seal	47	—	38128	38128	38128	38128
Spacer - Wheel Bearing Spindle	48	—	38106	38106	38106	38106
Oil Seal - Block Vee	49	—	36361	36361	36361	36361
Needle Bearing Assembly	50	18174	550759	550759	550759	550759
Nut - Brake Mounting	52	— ⁽³⁾	35704	35704	35704	— ⁽³⁾
Oil Seal	53	30348	—	—	—	—
Inner Wheel Bearing	54/76	706217X	706110X	706110X	706217X	706110X
Wheel Hub	55	— ⁽³⁾	—	—	—	—
Outer Wheel Bearing	56/74	706216X	706111X	706111X	706216X	706111X
Lockwasher-Wheel Bearing	57	30342	—	30342	30342	30342
Nut-Wheel Bearing	58	30350	—	30350	30350	30350
Lockwasher-Wheel Bearing Nut	59	30343	—	30343	30343	30343
Gasket-Drive Flange	60	30344	—	—	—	—
Flange-Axle Drive	61	35463	—	—	—	—
Snap Ring	62	18270	31624	31624	31624	31624
Hub Cap	63	32001	—	—	—	— ⁽³⁾
Nut	64	500371-3	—	—	—	—
Lockwasher	65	501209-3	—	—	—	—
Stud	66	31017	—	—	—	—
Hub Cap	67	—	31152	31152	31152	31152
Axle Drive Gear	68	—	31125	31125	31125	31125
Pressure Spring	69	—	35218	35218	35218	35218
Plate-Spring Retaining	70	—	32589	32589	32589	32589
Wheel Bearing Adjusting Nut	71	—	31139	31139	31139	31139
Retaining Lock Nut	72	—	36569	36569	36569	36569
Nut & Pin Assembly-Inner Lock	73	—	21588X	21588X	21588X	21588X
Wheel Hub	75	—	— ⁽³⁾	— ⁽³⁾	— ⁽³⁾	— ⁽³⁾
Oil Seal	77	—	36366	34611	36366	—
Hub Lock Assembly	N.I.	—	26133-3X	26133-3X	26133-3X	26133-3X

(3) Contact Vehicle Manufacturer

AMC/Jeep Model 44 Front Axles Kits & Small Parts - Use with All Applications

Description & Item Number (Refer to "Exploded View" at the front of this section)		Bills of Material				
		603466	603589	603598	603633	603683
Carrier Cover (inc. 15, 16, 17, 18)	—	706141X	—	—	706141X	706141X
Seal & Guide Tube	31	36352	—	—	36352	36913
Seal	—	—	—	—	—	—
Guide	—	—	—	—	—	—
Steering Knuckle Assembly - RH (inc. items 32, 33, 34, 36, 41)	—	706134X	700044	706210X	706134X	706575X
Steering Knuckle Assembly - LH	N.I.	706143X	700046	706406X	706143X	706576X
Socket Assy (32,33,34,35,36,37,38)		706116X	706116X	706116X	706116X	706116X
Stop Screw	39	31026-1	31026-2	31026-1	31026-1	31026-1
Jam Nut	40	500381-3	500381-3	500381-3	500381-3	500381-3
Wheel Spindle Seal & Bearing (inc. items 47, 48, 49, 50)		706527X	—	—	706527X	706527X
Wheel Bearing Spindle (inc. items 47, 48, 49, 50, 51 or 78)		706529X	—	—	706528X	706574X
Oil Seal	47	38128	—	—	38128	38128
Spacer - Wheel Bearing Spindle	48	38106	—	—	38106	38106
Oil Seal - Block Vee	49	36361	—	—	36361	36361
Needle Bearing Assembly	50	550759	— ⁽³⁾	36544	550759	550759
Nut - Brake Mounting	52	35704	35704	35704	35704	35704
Oil Seal	53	36369	— ⁽³⁾	— ⁽³⁾	—	—
Inner Wheel Bearing	54/76	706139X	—	—	706110X	706074X
Wheel Hub	55	— ⁽³⁾	35704	— ⁽³⁾	—	—
Outer Wheel Bearing	56/74	706111X	—	—	706111X	706111X
Lockwasher-Wheel Bearing	57	30342	17015	17015	—	—
Nut-Wheel Bearing	58	30350	17016	17016	—	—
Lockwasher-Wheel Bearing Nut	59	30343	17017	17017	—	—
Gasket-Drive Flange	60	30344	18188	18188	—	—
Flange-Axle Drive	61	— ⁽³⁾	—	—	—	—
Snap Ring	62	31624	—	—	31624	31624
Hub Cap	63	32001	— ⁽³⁾	— ⁽³⁾	—	—
Nut	64	500371-3	— ⁽³⁾	— ⁽³⁾	—	—
Lockwasher	65	501209-3	— ⁽³⁾	— ⁽³⁾	—	—
Stud	66	31017	— ⁽³⁾	— ⁽³⁾	—	—
Hub Cap	67	—	—	—	31152	31152
Axle Drive Gear	68	—	—	—	31125	620138
Pressure Spring	69	—	—	—	35218	35218
Plate-Spring Retaining	70	—	—	—	32589	32589
Wheel Bearing Adjusting Nut	71	31139	—	—	31139	31139
Retaining Lock Nut	72	36569	—	—	36569	36569
Nut & Pin Assembly-Inner Lock	73	21588X	—	—	21588X	21588X
Wheel Hub	75	—	—	—	— ⁽³⁾	— ⁽³⁾
Oil Seal	77	—	—	—	36366	36366
Hub Lock Assembly	N.I.	27369-3X	—	—	26133-3X	26133-3X

(3) Contact Vehicle Manufacturer

AMC/Jeep Model 44 Front Axles Kits & Small Parts - Use with All Applications

Description & Item Number (Refer to "Exploded View" at the front of this section)		Bills of Material			
		603685	610014 610017		
Carrier Cover (inc. 15, 16, 17, 18)	—	706141X	706141X		
Seal & Guide Tube	31	620216	36352		
Seal	—	—	—		
Guide	—	—	—		
Steering Knuckle Assembly - RH (inc. items 32, 33, 34, 36, 41)	—	706575X	706134X		
Steering Knuckle Assembly - LH	N.I.	706576X	706143X		
Socket Assy (32,33,34,35,36,37,38)		706116X	706116X		
Stop Screw	39	31026-1	31026-1		
Jam Nut	40	500381-3	500381-3		
Wheel Spindle Seal & Bearing (inc. items 47, 48, 49, 50)		706527X	706527X		
Wheel Bearing Spindle (inc. items 47, 48, 49, 50, 51 or 78)		706570X	706570X		
Oil Seal	47	38128	38128		
Spacer - Wheel Bearing Spindle	48	38106	38106		
Oil Seal - Block Vee	49	36361	36361		
Needle Bearing Assembly	50	550759	550759		
Nut - Brake Mounting	52	35704	35704		
Oil Seal	53	—	—		
Inner Wheel Bearing	54/76	706074X	— ⁽³⁾		
Wheel Hub	55	—	—		
Outer Wheel Bearing	56/74	706111X	706111X		
Lockwasher-Wheel Bearing	57	—	—		
Nut-Wheel Bearing	58	—	—		
Lockwasher-Wheel Bearing Nut	59	—	—		
Gasket-Drive Flange	60	—	—		
Flange-Axle Drive	61	—	—		
Snap Ring	62	31624	31624		
Hub Cap	63	—	—		
Nut	64	—	—		
Lockwasher	65	—	—		
Stud	66	—	—		
Hub Cap	67	31152	31152		
Axle Drive Gear	68	620138	620138		
Pressure Spring	69	35218	35218		
Plate-Spring Retaining	70	32589	32589		
Wheel Bearing Adjusting Nut	71	31139	31139		
Retaining Lock Nut	72	36569	36569		
Nut & Pin Assembly-Inner Lock	73	21588X	21588X		
Wheel Hub	75	— ⁽³⁾	— ⁽³⁾		
Oil Seal	77	36366	36366		
Hub Lock Assembly	N.I.	26133-3X	26133-3X		

(3) Contact Vehicle Manufacturer

AMC/Jeep Model 44 Front Axles Kit Components

ITEM NO.	DESCRIPTION	ITEM NO.	DESCRIPTION	ITEM NO.	DESCRIPTION
Drive Pinion & Gear Assembly		Differential Case Assembly (standard)		Differential Case (standard)	
2	Drive Pinion & Gear Assembly	16	Carrier Cover Gasket / Sealant	16	Carrier Cover Gasket / Sealant
3	Slinger – Inner Pinion Bearing	21	KIT – Differential Bearing	22	Shim – Differential Bearing
4	KIT – Inner Pinion Bearing	22	Shim – Differential Bearing	23	Case – Differential
5	Inner Pinion Shims	23	Case – Differential	24	Bolt – Drive Gear
6	Baffle – Pinion Bearing	24	Bolt – Drive Gear	30	Lock – Differential Shaft
7	Outer Pinion Shims	25	Pinion – Differential	Differential Parts (standard)	
8	KIT – Outer Pinion Bearing	26	Gear – Differential	16	Carrier Cover Gasket / Sealant
9	Slinger – Outer Pinion Bearing	27	Thrustwasher – Diff. Pinion	24	Bolt – Drive Gear
10	Seal – Pinion Oil	28	Thrustwasher – Diff. Gear	25	Pinion – Differential
12	Washer – Pinion Nut	29	Shaft – Differential Pinion	26	Gear – Differential
13	Pinion Nut	30	Lock – Differential Shaft	27	Thrustwasher – Diff. Pinion
16	Carrier Cover Gasket / Sealant			28	Thrustwasher – Diff. Gear
22	Shim – Differential Bearing			29	Shaft – Differential Pinion
24	Bolt – Drive Gear			30	Lock – Differential Shaft

When replacing Carrier Cover Gasket, replace with same type originally used. RTV tube gasket recommended for use on flat flange type cover. Paper or cork gasket recommended for use on ribbed flange cover.

Axle Shaft Dimensions

Complete Assembly Number	Inner Shaft - Side Gear End			Outer Shaft - Spline End			Axle Shaft & Joint Assembly		
	Major Spline Diameter	Centerline to End of Spline	Yoke Shaft Part Number	Major Spline Diameter	Centerline to End of Spline	Yoke Shaft Part Number	Side	Overall Length	Cross & Bearing Kit
21156-5X	1 1/4" -19	17 31/32"	2-82-261-10	1 1/8" -10	8 7/32"	2-82-161	Right	26 3/16"	5-74X
21156-6X	1 1/4" -19	35 31/32"	2-82-261-11	1 1/8" -10	8 7/32"	2-82-161	Left	44 3/16"	5-74X
28037-8X	1 5/16" -30	16 5/8"	27902-21X	1 1/4" -19	9 23/32"	36503	Right	26 11/32"	5-297X
28037-9X	1 5/16" -30	35 1/4"	27902-22X	1 1/4" -19	9 23/32"	36503	Left	44 31/32"	5-297X
28037-10X	1 5/16" -30	14 11/16"	27902-19X	1 1/4" -19	9 23/32"	36503	Right	24 15/32"	5-297X
28037-11X	1 5/16" -30	33 3/16"	27902-20X	1 1/4" -19	9 23/32"	36503	Left	42 45/64"	5-297X
28142-1X	1 5/16" -30	18"	27656-1X	1 1/8" -10	8 7/32"	2-82-161	Right	26 7/32"	5-260X
28142-2X	1 5/16" -30	36"	27656-6X	1 1/8" -10	8 7/32"	2-82-161	Left	44 7/32"	5-260X
29833-3X	1 5/16" -30	14 11/16"	27902-19X	1 1/4" -19	9 15/16"	38347	Right	21 5/8"	5-297X
29833-4X	1 5/16" -30	33 3/16"	27902-20X	1 1/4" -19	9 15/16"	38347	Left	43 1/8"	5-297X
29833-5X	1 5/16" -30	16 5/8"	27902-21X	1 1/4" -19	9 15/16"	38347	Right	26 9/16"	5-297X
29833-6X	1 5/16" -30	35 1/4"	27902-22X	1 1/4" -19	9 15/16"	38347	Left	45 3/16"	5-297X
66091-5	1 5/16" -30	16 5/8"	27902-21X	1 1/4" -19	9 15/16"	620134	Right	26 9/16"	5-297X
66091-6	1 5/16" -30	35 1/4"	27902-22X	1 1/4" -19	9 15/16"	620134	Left	45 3/16"	5-297X
901258-1	1 5/16" -30	18"	27656-1X	1 1/8" -10	8 7/32"	2-82-161	Right	26 7/32"	5-260X
901258-2	1 5/16" -30	36"	27656-6X	1 1/8" -10	8 7/32"	2-82-161	Left	44 7/32"	5-260X

AMC/Jeep 1967-1978

Model 44 Rear Axles for

C101 HD Jeepster

CJ 5 - 4 Cylinder & V-6

J10, J20

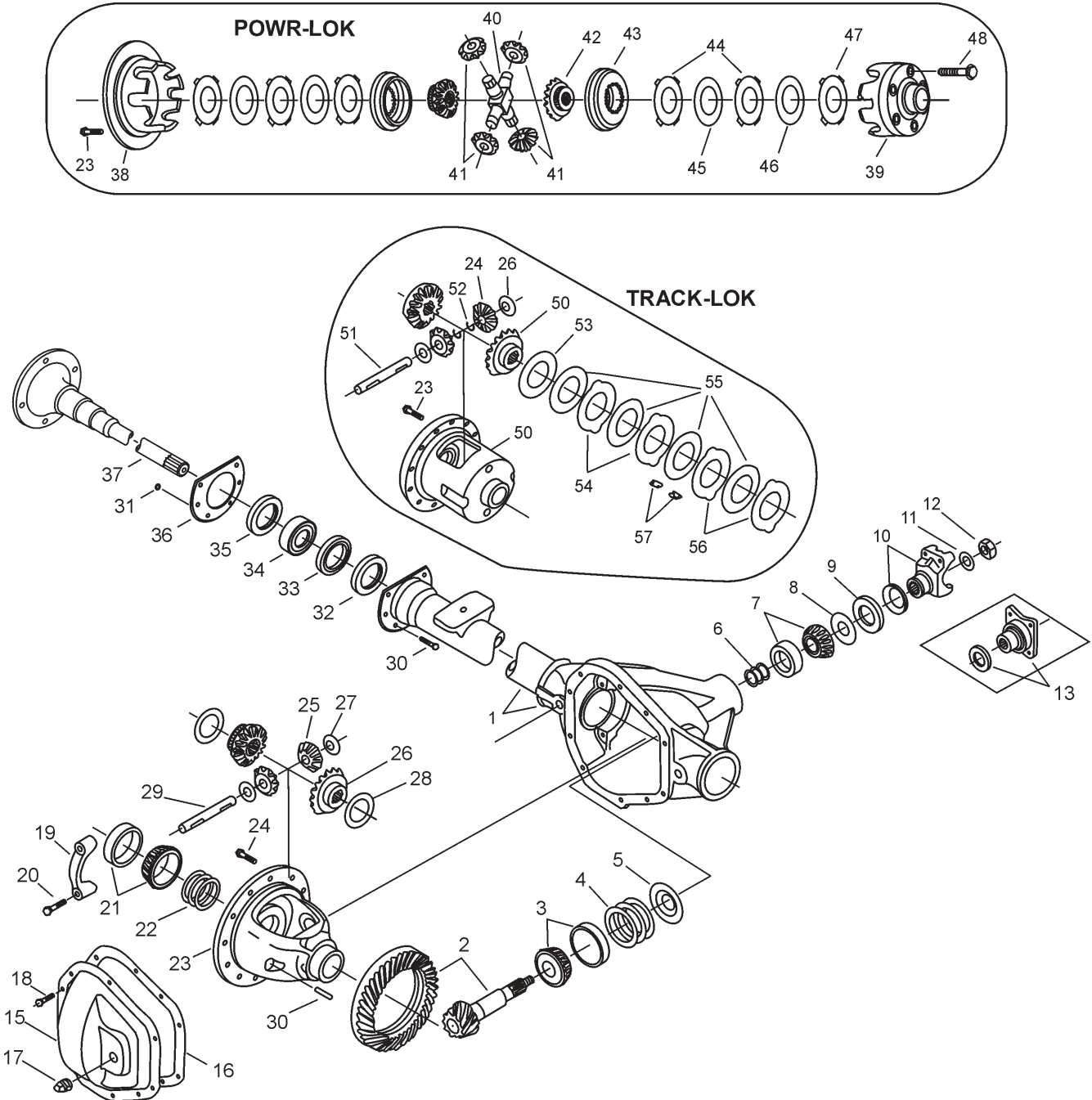
Cherokee Chief

Post Office Dispatcher

Post Office Van

Wagoneer

AMC/Jeep Model 44 Rear Axles Exploded View



AMC/Jeep Model 44 Rear Axles Parts Listing

ITEM NO.	PART IDENTIFICATION	ITEM NO.	PART IDENTIFICATION	ITEM NO.	PART IDENTIFICATION
1 ⁽¹⁾	Housing – Axle Service	20	KIT – Differential Bearing	Power-Lok & Trak-Lok Differential	
2	Drive Pinion & Gear Assembly	21	PKG – Diff Bearing Shim (inc 15)		
3	KIT – Inner Pinion Bearing	22	Case – Differential	38	Flange Half – Differential Case
4	Inner Pinion Bearing Shims	23	Bolt – Drive Gear	39	Cap Half – Differential Case
5	Baffle – Pinion Bearing	24	Pinion – Differential	40	Shaft – Differential
6	Outer Pinion Bearing Shims	25	Gear – Differential	41	Pinion – Differential
7	KIT – Outer Pinion Bearing	26	Thrustwasher – Diff Pinion	42	Gear – Differential
8	Slinger – Outer Pinion Bearing	27	Thrustwasher – Diff Gear	43	Ring – Differential Gear
9	Seal – Pinion Oil	28	Shaft – Differential	44	Plate – Differential
10 ⁽²⁾	End Yoke Assembly	29	Lock – Differential Shaft	45	Disc – Differential
11	Washer – Pinion Nut	30	Bolt – Brake Mounting	46	Disc – Differential (dished)
12	Pinion Nut	31	Nut – Brake Mounting	47	Plate – Differential (dished)
13 ⁽²⁾	Companion Flange Assembly	32	Seal – Inboard Shaft	48	Bolt – Differential Case
14	Carrier Cover	33	Retainer Ring – Wheel Bearing	49	Case – Differential
15	Gasket – Carrier Cover	34	Wheel Bearing Assembly	50	Gear – Differential
16	Plug – Carrier Cover	35	Seal – Outboard Shaft	51	Shaft – Differential
17	Bolt – Carrier Cover	36	Retainer – Oil Seal	52	Snap Ring
18 ⁽¹⁾	Cap – Differential Bearing	37	Axle Shaft Assembly	53	Spacer – Diff. Gear (dished)
19 ⁽¹⁾	Bolt – Differential Bearing Cap			54	Plate – Differential
				55	Disc – Differential
				56	Plate – Differential
				57	Clip – Diff. Clutch Retainer

(1) Contact Vehicle Manufacturer

(2) See Spicer Driveline Catalog J300P Section 10

Check availability on all Powr-Lok parts before ordering

Common Axle Kits - Use with All Applications

ITEM NO.	DESCRIPTION	KIT PART NUMBER	ITEM NO.	DESCRIPTION	KIT PART NUMBER
Inner Pinion Bearing		706031X	Differential Bearing Adjusting Shim		706618X
3	KIT – Inner Pinion Bearing		15	Carrier Cover Gasket / Sealant	
Outer Pinion Bearing		706030X	21	Shim – Differential Bearing	
7	KIT – Outer Pinion Bearing		Differential & Pinion Shim		706619X
Differential Bearing		706032X	4	Shim – Drive Pinion Adjusting	
20	KIT – Differential Bearing		6	Shim – Pinion Bearing Adjusting	
Pinion & Bearing Adjusting Shim		706617X	11	Washer – Pinion Nut	
4	Shim – Drive Pinion Adjusting		12	Pinion Nut	
6	Shim – Pinion Bearing Adjusting		15	Carrier Cover Gasket / Sealant	
12	Pinion Nut		21	Shim – Differential Bearing	
15	Carrier Cover Gasket / Sealant				

When replacing Carrier Cover Gasket, replace with same type originally used. RTV tube gasket recommended for use on flat flange type cover. Paper or cork gasket recommended for use on ribbed flange cover.

(9) On Bills of Material 603830 use Kit Number 706620X; On Bills of Material 603869 & 603903 use Kit Number 706700X

AMC/Jeep Model 44 Rear Axles

Bill of Material Table

Axle			Axle Kits				Shaft & Joint Assy.	
Bill of Material	Diff. Type	Ratio	Ring Gear & Pinion Kit ⁽⁷⁾	Differential			Right Hand Shaft Assy.	Left Hand Shaft Assy.
				Case Assy. Kit ⁽⁸⁾	Case Kit	Inner Parts Kit		
1967-69 C101 Heavy Duty Jeepster								
602882-1	Standard	4.27	706613-7X	23569X	706696X	25858X	N.L.A.	N.L.A.
602882-2	Power-Lok	4.27	706613-7X	25662X	25663X	— ⁽⁹⁾	N.L.A.	N.L.A.
602882-3	Standard	4.89	706613-13X	23569X	706696X	25858X	N.L.A.	N.L.A.
602882-4	Power-Lok	4.89	706613-13X	25662X	25663X	— ⁽⁹⁾	N.L.A.	N.L.A.
602882-5	Standard	5.38	706613-9X	23569X	706696X	25858X	N.L.A.	N.L.A.
602882-6	Power-Lok	5.38	706613-9X	25662X	25663X	— ⁽⁹⁾	N.L.A.	N.L.A.
602882-7	Standard	3.73	706017-4X	23567X	706615X	25858X	N.L.A.	N.L.A.
602882-8	Power-Lok	3.73	706017-4X	26653X	26654X	— ⁽⁹⁾	N.L.A.	N.L.A.
602882-9	Standard	3.31	706613-11X	23567X	706615X	25858X	N.L.A.	N.L.A.
602882-10	Power-Lok	3.31	706613-11X	26653X	26654X	— ⁽⁹⁾	N.L.A.	N.L.A.
1969-71 C101 Heavy Duty Jeepster								
603134-6	Standard	3.31	706613-11X	706614X	706615X	706616X	706028-9X	706028-9X
603134-7	Standard	3.73	706613-4X	706614X	706615X	706616X	706028-9X	706028-9X
603134-8	Standard	4.27	706613-7X	706695X	706696X	706616X	706028-9X	706028-9X
603134-9	Standard	4.89	706613-13X	706695X	706696X	706616X	706028-9X	706028-9X
603134-10	Standard	5.38	706613-9X	706695X	706696X	706616X	706028-9X	706028-9X
603134-16	Trac-Lok	3.31	706613-11X	706628X	706629X	706630X	706028-9X	706028-9X
603134-17	Trac-Lok	3.73	706613-4X	706628X	706629X	706630X	706028-9X	706028-9X
603134-18	Trac-Lok	4.27	706613-7X	706658X	706659X	706630X	706028-9X	706028-9X
603134-19	Trac-Lok	4.89	706613-13X	706658X	706659X	706630X	706028-9X	706028-9X
603134-20	Trac-Lok	5.38	706613-9X	706658X	706659X	706630X	706028-9X	706028-9X
1972 C101 Heavy Duty Jeepster								
603328-1	Standard	4.27	706613-7X	706695X	706696X	706616X	706028-9X	706028-9X
603328-2	Trac-Lok	4.27	706613-7X	706658X	706659X	706630X	706028-9X	706028-9X
603328-3	Standard	3.73	706017-4X	706614X	706615X	706616X	706028-9X	706028-9X
603328-4	Trac-Lok	3.73	706017-4X	706628X	706629X	706630X	706028-9X	706028-9X
1967-68 CJ 5 - 4 Cylinder								
602297-1	Standard	5.38	706613-10X	18568X	18458	18555X	N.L.A.	N.L.A.
602297-2	Power-Lok	5.38	706613-10X	21920X	21258X	— ⁽⁹⁾	N.L.A.	N.L.A.
602297-3	Power-Lok	4.89	706613-13X	21920X	21258X	— ⁽⁹⁾	N.L.A.	N.L.A.
602297-5	Standard	4.89	706613-13X	18568X	18458	18555X	N.L.A.	N.L.A.
602297-6	Power-Lok	4.27	706613-7X	21920X	21258X	— ⁽⁹⁾	N.L.A.	N.L.A.
602297-7	Standard	4.27	706613-7X	18568X	18458	18555X	N.L.A.	N.L.A.
602297-10	Standard	3.73	706613-6X	18580X	18422	18555X	N.L.A.	N.L.A.
602297-11	Power-Lok	3.73	706613-6X	23116X	21251X	— ⁽⁹⁾	N.L.A.	N.L.A.
1969-70 CJ 5 - 4 Cylinder								
603133-2	Standard	4.27	706613-7X	706695X	706696X	706616X	26762-3X	26762-4X
603133-4	Standard	5.38	706613-10X	706695X	706696X	706616X	26762-3X	26762-4X
603133-6	Trac-Lok	4.27	706613-7X	706658X	706659X	706630X	26762-3X	26762-4X
603133-8	Trac-Lok	5.38	706613-10X	706658X	706659X	706630X	26762-3X	26762-4X
1967-68 CJ 5 - V-6								
602292-1	Power-Lok	5.38	706613-10X	21920X	21258X	— ⁽⁹⁾	N.L.A.	N.L.A.
602292-2	Standard	5.38	706613-10X	18568X	18458	18555X	N.L.A.	N.L.A.
602292-3	Standard	4.89	706613-13X	18568X	18458	18555X	N.L.A.	N.L.A.
602292-4	Power-Lok	4.89	706613-13X	21920X	21258X	— ⁽⁹⁾	N.L.A.	N.L.A.

(7) See Ring Gear & Pinion Kits in XGI Catalog for ratio & tooth combinations.

(8) See Differential Case Assy Kits in XGI Catalog for spline data & ratios.

(9) Use Internal Parts from Case Assembly
N.L.A. Tapered Shafts No Longer Available

AMC/Jeep Model 44 Rear Axles

Bill of Material Table

Axle			Axle Kits				Shaft & Joint Assy.	
Bill of Material	Diff. Type	Ratio	Ring Gear & Pinion Kit ⁽⁷⁾	Differential			Right Hand Shaft Assy.	Left Hand Shaft Assy.
				Case Assy. Kit ⁽⁸⁾	Case Kit	Inner Parts Kit		
1969-70 CJ 5 - V-6								
603161-1	Standard	3.73	706613-6X	706614X	706615X	706616X	26762-3X	26762-4X
603161-3	Standard	4.89	706613-13X	706695X	706696X	706616X	26762-3X	26762-4X
603161-5	Trac-Lok	3.73	706613-6X	706628X	706629X	706630X	26762-3X	26762-4X
603161-7	Trac-Lok	4.89	706613-13X	706658X	706659X	706630X	26762-3X	26762-4X
1971-72 CJ 5 - 4 Cylinder & V-6								
603331-1	Standard	4.27	706613-7X	706695X	706696X	706616X	706028-9X	706028-9X
603331-2	Trac-Lok	4.27	706613-7X	706658X	706659X	706630X	706028-9X	706028-9X
603331-3	Standard	3.73	706613-6X	706614X	706615X	706616X	706028-9X	706028-9X
603331-4	Trac-Lok	3.73	706613-6X	706628X	706629X	706630X	706028-9X	706028-9X
603331-5	Standard	4.89	706613-13X	706695X	706696X	706616X	706028-9X	706028-9X
1973 CJ 5 - 4 Cylinder & V-6								
603331-1	Standard	4.27	706613-7X	706695X	706696X	706616X	26762-5X	26762-5X
603331-2	Trac-Lok	4.27	706613-7X	706658X	706659X	706630X	26762-5X	26762-5X
603331-3	Standard	3.73	706613-6X	706614X	706615X	706616X	26762-5X	26762-5X
603331-4	Trac-Lok	3.73	706613-6X	706628X	706629X	706630X	26762-5X	26762-5X
603331-5	Standard	4.89	706613-13X	706695X	706696X	706616X	26762-5X	26762-5X
1974-75 CJ 5 - 4 Cylinder & V-6								
603486-1	Standard	4.27	706613-7X	706695X	706696X	706616X	26762-5X	26762-5X
603486-2	Trac-Lok	4.27	706613-7X	706658X	706659X	706630X	26762-5X	26762-5X
603486-3	Standard	3.73	706613-6X	706614X	706615X	706616X	26762-5X	26762-5X
603486-4	Trac-Lok	3.73	706613-6X	706628X	706629X	706630X	26762-5X	26762-5X
603486-5	Standard	4.09	706613-5X	706695X	706696X	706616X	26762-5X	26762-5X
603486-6	Standard	5.38	706613-9X	706695X	706696X	706616X	26762-5X	26762-5X
1969-70 J10								
603136-1	Standard	3.54	706613-4X	706614X	706615X	706616X	26762-8X	26762-9X
603136-2	Standard	3.92	706613-14X	706695X	706696X	706616X	26762-8X	26762-9X
603136-3	Standard	4.27	706613-7X	706695X	706696X	706616X	26762-8X	26762-9X
603136-4	Standard	4.89	706613-13X	706695X	706696X	706616X	26762-8X	26762-9X
603136-10	Trac-Lok	3.54	706613-4X	706628X	706629X	706630X	26762-8X	26762-9X
603136-11	Trac-Lok	3.92	706613-14X	706658X	706659X	706630X	26762-8X	26762-9X
603136-12	Trac-Lok	4.27	706613-7X	706658X	706659X	706630X	26762-8X	26762-9X
603136-13	Trac-Lok	4.89	706613-13X	706658X	706659X	706630X	26762-8X	26762-9X
1971 J10								
603211-1	Standard	3.54	706613-4X	706614X	706615X	706616X	26762-8X	26762-9X
603211-2	Standard	3.92	706613-14X	706695X	706696X	706616X	26762-8X	26762-9X
603211-3	Standard	4.27	706613-7X	706695X	706696X	706616X	26762-8X	26762-9X
603211-4	Standard	4.89	706613-13X	706695X	706696X	706616X	26762-8X	26762-9X
603211-9	Standard	4.09	706613-5X	706695X	706696X	706616X	26762-8X	26762-9X
603211-10	Trac-Lok	3.54	706613-4X	706628X	706629X	706630X	26762-8X	26762-9X
603211-11	Trac-Lok	3.92	706613-14X	706658X	706659X	706630X	26762-8X	26762-9X
603211-12	Trac-Lok	4.27	706613-7X	706658X	706659X	706630X	26762-8X	26762-9X
603211-13	Trac-Lok	4.89	706613-13X	706658X	706659X	706630X	26762-8X	26762-9X
603211-18	Trac-Lok	4.09	706613-5X	706658X	706659X	706630X	26762-8X	26762-9X

(7) See Ring Gear & Pinion Kits in XGI Catalog for ratio & tooth combinations.

(8) See Differential Case Assy Kits in XGI Catalog for spline data & ratios.

(9) Use Internal Parts from Case Assembly

N.L.A. Tapered Shafts No Longer Available

AMC/Jeep Model 44 Rear Axles

Bill of Material Table

Axle			Axle Kits				Shaft & Joint Assy.	
Bill of Material	Diff. Type	Ratio	Ring Gear & Pinion Kit ⁽⁷⁾	Differential			Right Hand Shaft Assy.	Left Hand Shaft Assy.
				Case Assy. Kit ⁽⁸⁾	Case Kit	Inner Parts Kit		
1972-73 J10								
603330-1	Standard	4.09	706613-5X	706695X	706696X	706616X	26762-8X	26762-9X
603330-2	Standard	4.89	706613-13X	706695X	706696X	706616X	26762-8X	26762-9X
603330-3	Trac-Lok	4.09	706613-5X	706658X	706659X	706630X	26762-8X	26762-9X
603330-4	Trac-Lok	4.89	706613-13X	706658X	706659X	706630X	26762-8X	26762-9X
603330-5	Standard	3.73	706613-6X	706614X	706615X	706616X	26762-8X	26762-9X
603330-6	Trac-Lok	3.73	706613-6X	706628X	706629X	706630X	26762-8X	26762-9X
1974 J10								
603469-1	Standard	3.54	706613-4X	706614X	706615X	706616X	28497-5X	28497-4X
603469-2	Trac-Lok	3.54	706613-4X	706628X	706629X	706630X	28497-5X	28497-4X
603469-3	Standard	4.09	706613-5X	706695X	706696X	706616X	28497-5X	28497-4X
603469-4	Trac-Lok	4.09	706613-5X	706658X	706659X	706630X	28497-5X	28497-4X
1975 J10								
603566-1	Standard	3.54	706613-4X	706614X	706615X	706616X	28497-5X	28497-4X
603566-2	Trac-Lok	3.54	706613-4X	706628X	706629X	706630X	28497-5X	28497-4X
603566-3	Standard	4.09	706613-5X	706695X	706696X	706616X	28497-5X	28497-4X
603566-4	Trac-Lok	4.09	706613-5X	706658X	706659X	706630X	28497-5X	28497-4X
1976 J10								
603688-1	Standard	3.54	706613-4X	706614X	706615X	706616X	28497-5X	28497-4X
603688-2	Trac-Lok	3.54	706613-4X	706628X	706629X	706630X	28497-5X	28497-4X
603688-3	Standard	4.09	706613-5X	706695X	706696X	706616X	28497-5X	28497-4X
603688-4	Trac-Lok	4.09	706613-5X	706658X	706659X	706630X	28497-5X	28497-4X
1976 1/2 J10								
603734-1	Standard	3.54	706613-4X	706614X	706615X	706616X	28497-7X	26762-4X
603734-2	Trac-Lok	3.54	706613-4X	706628X	706629X	706630X	28497-7X	26762-4X
603734-3	Standard	4.09	706613-5X	706695X	706696X	706616X	28497-7X	26762-4X
603734-4	Trac-Lok	4.09	706613-5X	706658X	706659X	706630X	28497-7X	26762-4X
1977 J10								
603814-1	Standard	3.54	706613-4X	706614X	706615X	706616X	28497-7X	28497-4X
603814-2	Trac-Lok	3.54	706613-4X	706628X	706629X	706630X	28497-7X	28497-4X
603814-3	Standard	4.09	706613-5X	706695X	706696X	706616X	28497-7X	28497-4X
603814-4	Trac-Lok	4.09	706613-5X	706658X	706659X	706630X	28497-7X	26762-4X
1978 J10								
603912-1	Standard	3.54	706613-4X	706614X	706615X	706616X	28497-7X	28497-4X
603912-2	Trac-Lok	3.54	706613-4X	706628X	706629X	706630X	28497-7X	28497-4X
603912-3	Standard	4.09	706613-5X	706695X	706696X	706616X	28497-7X	28497-4X
603912-4	Trac-Lok	4.09	706613-5X	706658X	706659X	706630X	28497-7X	28497-4X
603912-5	Standard	3.07	706613-2X	706614X	706615X	706616X	28497-7X	28497-4X
1967-68 CJ 5 - 4 Cylinder								
602850-3	Standard	4.27	706613-7X	18568X	18458	18555X	N.L.A.	N.L.A.
602850-4	Power-Lok	4.27	706613-7X	21920X	21258X	— ⁽⁹⁾	N.L.A.	N.L.A.
602850-5	Standard	4.89	706613-13X	18568X	18458	18555X	N.L.A.	N.L.A.
602850-6	Power-Lok	4.89	706613-13X	21920X	21258X	— ⁽⁹⁾	N.L.A.	N.L.A.
602850-7	Standard	3.92	706613-14X	18568X	18458	18555X	N.L.A.	N.L.A.
602850-8	Power-Lok	3.92	706613-14X	21920X	21258X	— ⁽⁹⁾	N.L.A.	N.L.A.
602850-9	Power-Lok	3.54	706613-4X	23116X	21251X	— ⁽⁹⁾	N.L.A.	N.L.A.
602850-10	Standard	3.54	706613-4X	18580X	18422	18555X	N.L.A.	N.L.A.

(7) See Ring Gear & Pinion Kits in XGI Catalog for ratio & tooth combinations.

(8) See Differential Case Assy Kits in XGI Catalog for spline data & ratios.

(9) Use Internal Parts from Case Assembly
N.L.A. Tapered Shafts No Longer Available

AMC/Jeep Model 44 Rear Axles

Bill of Material Table

Axle			Axle Kits				Shaft & Joint Assy.	
Bill of Material	Diff. Type	Ratio	Ring Gear & Pinion Kit ⁽⁷⁾	Differential			Right Hand Shaft Assy.	Left Hand Shaft Assy.
				Case Assy. Kit ⁽⁸⁾	Case Kit	Inner Parts Kit		
1975 Cherokee Chief - Std Transfer Case								
603602-1	Standard	3.07	706613-2X	706614X	706615X	706616X	28497-1X	28497-4X
603602-2	Standard	3.54	706613-4X	706614X	706615X	706616X	28497-1X	28497-4X
1976 Cherokee Chief - Std Transfer Case								
603661-1	Standard	3.54	706613-4X	706614X	706615X	706616X	28497-1X	28497-4X
1976 1/2 Cherokee Chief - Std Transfer Case								
603746-1	Standard	3.54	706613-4X	706614X	706615X	706616X	28497-1X	26762-4X
603746-2	Standard	4.09	706613-5X	706695X	706696X	706616X	28497-1X	28497-4X
603746-3	Trac-Lok	4.09	706613-5X	706658X	706659X	706630X	28497-1X	28497-4X
1975 Cherokee Chief - Quadratrac Transfer Case								
603601-2	Standard	3.54	706613-4X	706614X	706615X	706616X	28497-1X	28497-4X
1976 Cherokee Chief - Quadratrac Transfer Case								
603660-1	Standard	3.54	706613-4X	706614X	706615X	706616X	28497-1X	28497-4X
1976 1/2 Cherokee Chief - Quadratrac Transfer Case								
603749-1	Standard	3.54	706613-4X	706614X	706615X	706616X	28497-1X	28497-4X
603749-2	Standard	4.09	706613-5X	706695X	706696X	706616X	28497-1X	28497-4X
1971-72 Post Office Dispatcher								
603293-2	Trac-Lok	3.73	706613-6X	706628X	706629X	706630X	26762-1X	28497-2X
1973-74 Post Office Dispatcher								
603434-2	Trac-Lok	3.07	706613-2X	706628X	706629X	706630X	26762-20X	26762-21X
603434-4	Trac-Lok	3.07	706613-2X	706628X	706629X	706630X	26762-20X	26762-21X
603434-5	Trac-Lok	4.27	706613-7X	706658X	706659X	706630X	26762-20X	26762-21X
603434-6	Standard	5.89	706613-10X	706695X	706696X	706616X	26762-20X	26762-21X
1975-76 Post Office Dispatcher								
603590-1	Trac-Lok	3.07	706613-2X	706628X	706629X	706630X	26762-22X	26762-21X
603590-3	Standard	5.89	706613-10X	706695X	706696X	706616X	26762-22X	26762-21X
1971-72 Post Office Van								
603400-4	Trac-Lok	3.73	706613-6X	706628X	706629X	706630X	26762-1X	26762-2X
1973-74 Post Office Van								
603435-1	Trac-Lok	3.73	706613-6X	706628X	706629X	706630X	26762-17X	26762-18X
1975-76 Post Office Van								
603606-1	Trac-Lok	3.73	706613-6X	706628X	706629X	706630X	26762-17X	26762-18X
1967-68 Wagoneer & Cherokee - Std Transfer Case								
602552-11	Standard	4.09	706613-5X	18568X	18458	18555X	N.L.A.	N.L.A.
602552-12	Standard	3.73	706613-6X	18580X	18422	18555X	N.L.A.	N.L.A.
602552-13	Power-Lok	4.09	706613-5X	21920X	21258X	— ⁽⁹⁾	N.L.A.	N.L.A.
602552-14	Power-Lok	3.73	706613-6X	23116X	21251X	— ⁽⁹⁾	N.L.A.	N.L.A.
602552-15	Standard	3.31	706613-11X	18580X	18422	18555X	N.L.A.	N.L.A.
602552-16	Power-Lok	3.31	706613-11X	23116X	21251X	— ⁽⁹⁾	N.L.A.	N.L.A.
602552-17	Standard	4.27	706613-7X	18568X	18458	18555X	N.L.A.	N.L.A.
602552-18	Power-Lok	4.27	706613-7X	21920X	21258X	— ⁽⁹⁾	N.L.A.	N.L.A.
602552-19	Standard	4.89	706613-13X	18568X	18458	18555X	N.L.A.	N.L.A.
602552-20	Power-Lok	4.89	706613-13X	21920X	21258X	— ⁽⁹⁾	N.L.A.	N.L.A.

(7) See Ring Gear & Pinion Kits in XGI Catalog for ratio & tooth combinations.

(8) See Differential Case Assy Kits in XGI Catalog for spline data & ratios.

(9) Use Internal Parts from Case Assembly

N.L.A. Tapered Shafts No Longer Available

AMC/Jeep Model 44 Rear Axles

Bill of Material Table

Axle			Axle Kits				Shaft & Joint Assy.	
Bill of Material	Diff. Type	Ratio	Ring Gear & Pinion Kit ⁽⁷⁾	Differential			Right Hand Shaft Assy.	Left Hand Shaft Assy.
				Case Assy. Kit ⁽⁸⁾	Case Kit	Inner Parts Kit		
1969 Wagoneer & Cherokee - Std Transfer Case								
603135-11	Standard	3.31	706613-11X	706614X	706615X	706616X	26762-6X	26762-7X
603135-12	Standard	3.73	706613-6X	706614X	706615X	706616X	26762-6X	26762-7X
603135-13	Standard	4.09	706613-5X	706695X	706696X	706616X	28497-6X	28497-7X
603135-14	Standard	4.27	706613-7X	706695X	706696X	706616X	26762-6X	26762-7X
603135-15	Standard	4.89	706613-13X	706695X	706696X	706616X	26762-6X	26762-7X
603135-21	Trac-Lok	3.31	706613-11X	706628X	706629X	706630X	26762-6X	26762-7X
603135-22	Trac-Lok	3.73	706613-6X	706628X	706629X	706630X	26762-6X	26762-7X
603135-23	Trac-Lok	4.09	706613-5X	706658X	706659X	706630X	28497-6X	28497-7X
603135-24	Trac-Lok	4.27	706613-7X	706658X	706659X	706630X	26762-6X	26762-7X
603135-25	Trac-Lok	4.89	706613-13X	706658X	706659X	706630X	26762-6X	26762-7X
1970-71 Wagoneer & Cherokee - Std Transfer Case								
603210-11	Standard	3.31	706613-11X	706614X	706615X	706616X	26762-6X	26762-7X
603210-12	Standard	3.73	706613-6X	706614X	706615X	706616X	26762-6X	26762-7X
603210-13	Standard	4.09	706613-5X	706695X	706696X	706616X	28497-6X	28497-7X
603210-14	Standard	4.27	706613-7X	706695X	706696X	706616X	26762-6X	26762-7X
603210-15	Standard	4.89	706613-13X	706695X	706696X	706616X	26762-6X	26762-7X
603210-21	Trac-Lok	3.31	706613-11X	706628X	706629X	706630X	26762-6X	26762-7X
603210-22	Trac-Lok	3.73	706613-6X	706628X	706629X	706630X	26762-6X	26762-7X
603210-23	Trac-Lok	4.09	706613-5X	706658X	706659X	706630X	28497-6X	28497-7X
603210-24	Trac-Lok	4.27	706613-7X	706658X	706659X	706630X	26762-6X	26762-7X
603210-25	Trac-Lok	4.89	706613-13X	706658X	706659X	706630X	26762-6X	26762-7X
1972-73 Wagoneer & Cherokee - Std Transfer Case								
603210-1	Standard	3.73	706613-6X	706614X	706615X	706616X	26762-6X	26762-7X
603210-2	Standard	3.31	706613-11X	706614X	706615X	706616X	26762-6X	26762-7X
603210-3	Standard	4.27	706613-7X	706695X	706696X	706616X	26762-6X	26762-7X
603210-4	Trac-Lok	3.73	706613-6X	706628X	706629X	706630X	26762-6X	26762-7X
603210-5	Trac-Lok	3.31	706613-11X	706628X	706629X	706630X	26762-6X	26762-7X
603210-6	Trac-Lok	4.27	706613-7X	706658X	706659X	706630X	26762-6X	26762-7X
603210-7	Standard	3.73	706613-6X	706614X	706615X	706616X	26762-6X	26762-7X
603210-8	Standard	3.31	706613-11X	706614X	706615X	706616X	26762-6X	26762-7X
603210-9	Standard	4.27	706613-7X	706695X	706696X	706616X	26762-6X	26762-7X
603210-10	Trac-Lok	3.73	706613-6X	706628X	706629X	706630X	26762-6X	26762-7X
603210-11	Trac-Lok	3.31	706613-11X	706628X	706629X	706630X	26762-6X	26762-7X
603210-12	Trac-Lok	4.27	706613-7X	706658X	706659X	706630X	26762-6X	26762-7X
1974 Wagoneer & Cherokee - Std Transfer Case								
603467-3	Standard	3.07	706613-2X	706614X	706615X	706616X	28497-1X	28497-2X
603467-4	Trac-Lok	3.07	706613-2X	706628X	706629X	706630X	28497-1X	28497-2X
603467-7	Standard	3.54	706613-4X	706614X	706615X	706616X	28497-1X	28497-2X
603467-8	Trac-Lok	3.54	706613-4X	706628X	706629X	706630X	28497-1X	28497-2X
603467-11	Standard	4.09	706613-5X	706695X	706696X	706616X	28497-1X	28497-2X
603467-12	Trac-Lok	4.09	706613-5X	706658X	706659X	706630X	28497-1X	28497-2X
1975 Wagoneer & Cherokee - Std Transfer Case								
603549-1	Standard	3.07	706613-2X	706614X	706615X	706616X	28497-1X	28497-2X
603549-2	Trac-Lok	3.07	706613-2X	706628X	706629X	706630X	28497-1X	28497-2X
603549-3	Standard	3.54	706613-4X	706614X	706615X	706616X	28497-1X	28497-2X
603549-4	Trac-Lok	3.54	706613-4X	706628X	706629X	706630X	28497-1X	28497-2X
603549-5	Standard	4.09	706613-5X	706695X	706696X	706616X	28497-1X	28497-2X

(7) See Ring Gear & Pinion Kits in XGI Catalog for ratio & tooth combinations.

(8) See Differential Case Assy Kits in XGI Catalog for spline data & ratios.

(9) Use Internal Parts from Case Assembly

N.L.A. Tapered Shafts No Longer Available

AMC/Jeep Model 44 Rear Axles

Bill of Material Table

Axle			Axle Kits				Shaft & Joint Assy.	
Bill of Material	Diff. Type	Ratio	Ring Gear & Pinion Kit ⁽⁷⁾	Differential			Right Hand Shaft Assy.	Left Hand Shaft Assy.
				Case Assy. Kit ⁽⁸⁾	Case Kit	Inner Parts Kit		
1976 Wagoneer & Cherokee - Std Transfer Case								
603678-1	Standard	3.07	706613-2X	706614X	706615X	706616X	28497-1X	28497-2X
603678-2	Trac-Lok	3.07	706613-2X	706628X	706629X	706630X	28497-1X	28497-2X
603678-3	Standard	3.54	706613-4X	706614X	706615X	706616X	28497-1X	28497-2X
603678-4	Trac-Lok	3.54	706613-4X	706628X	706629X	706630X	28497-1X	28497-2X
603678-5	Standard	4.09	706613-5X	706695X	706696X	706616X	28497-1X	28497-2X
1976 1/2 Wagoneer & Cherokee - Std Transfer Case								
603747-1	Standard	3.07	706613-2X	706614X	706615X	706616X	28497-1X	28497-2X
603747-2	Trac-Lok	3.07	706613-2X	706628X	706629X	706630X	28497-1X	28497-2X
603747-3	Standard	3.54	706613-4X	706614X	706615X	706616X	28497-1X	28497-2X
603747-4	Trac-Lok	3.54	706613-4X	706628X	706629X	706630X	28497-1X	28497-2X
603747-5	Standard	4.09	706613-5X	706695X	706696X	706616X	28497-1X	28497-2X
1973 Wagoneer & Cherokee - Quadratrac Transfer Case								
603405-1	Standard	3.73	706613-6X	706614X	706615X	706616X	26762-19X	26762-9X
603405-2	Standard	3.31	706613-11X	706614X	706615X	706616X	26762-19X	26762-9X
1974 Wagoneer & Cherokee - Quadratrac Transfer Case								
603405-2	Standard	3.31	706613-11X	706614X	706615X	706616X	28497-3X	28497-4X
603405-3	Standard	3.07	706613-2X	706614X	706615X	706616X	28497-3X	28497-4X
603405-4	Standard	4.09	706613-5X	706695X	706696X	706616X	28497-3X	28497-4X
603405-5	Standard	3.54	706613-4X	706614X	706615X	706616X	28497-3X	28497-4X
1975 Wagoneer & Cherokee - Quadratrac Transfer Case								
603550-1	Standard	3.07	706613-2X	706614X	706615X	706616X	28497-3X	28497-4X
603550-2	Standard	4.09	706613-5X	706695X	706696X	706616X	28497-3X	28497-4X
603550-3	Standard	3.54	706613-4X	706614X	706615X	706616X	28497-3X	28497-4X
1976 Wagoneer & Cherokee - Quadratrac Transfer Case								
603677-1	Standard	3.07	706613-2X	706614X	706615X	706616X	28497-3X	28497-4X
603677-2	Standard	4.09	706613-5X	706695X	706696X	706616X	28497-3X	28497-4X
603677-3	Standard	3.54	706613-4X	706614X	706615X	706616X	28497-3X	28497-4X
1976 1/2 Wagoneer & Cherokee - Quadratrac Transfer Case								
603748-1	Standard	3.07	706613-2X	706614X	706615X	706616X	28497-3X	28497-4X
603748-2	Standard	4.09	706613-5X	706695X	706696X	706616X	28497-3X	28497-4X
603748-3	Standard	3.54	706613-4X	706614X	706615X	706616X	28497-3X	28497-4X

(7) See Ring Gear & Pinion Kits in XGI Catalog for ratio & tooth combinations.

(8) See Differential Case Assy Kits in XGI Catalog for spline data & ratios.

(9) Use Internal Parts from Case Assembly

N.L.A. Tapered Shafts No Longer Available

AMC/Jeep Model 44 Rear Axles Kit Components

ITEM NO.	DESCRIPTION	ITEM NO.	DESCRIPTION	ITEM NO.	DESCRIPTION
Carrier Cover		Differential Case Assembly (Trac-Lok)		Differential Parts (Powr-Lok)	
14	Carrier Cover	15	Carrier Cover Gasket / Sealant	15	Carrier Cover Gasket / Sealant
15	Carrier Cover Gasket / Sealant	20	KIT – Differential Bearing	40	Shaft – Differential
16	Plug – Carrier Cover	21	Shim – Differential Bearing	41	Pinion – Differential
17	Bolt – Carrier Cover	23	Bolt – Drive Gear	42	Gear – Differential
Drive Pinion & Gear Assembly		24	Pinion – Differential	43	Ring – Differential Gear
2	Drive Pinion & Gear Assembly	26	Thrustwasher – Diff. Pinion	44	Plate – Differential
3	KIT – Inner Pinion Bearing	49	Case – Differential	45	Disc – Differential
4	Inner Pinion Shims	50	Gear – Differential	46	Disc – Differential (dished)
5	Baffle – Pinion Bearing	51	Shaft – Differential	47	Plate – Differential (dished)
6	Outer Pinion Shims	52	Snap Ring	Differential Parts (Trac-Lok)	
7	KIT – Outer Pinion Bearing	53	Spacer – Diff. Gear (dished)	15	Carrier Cover Gasket / Sealant
8	Slinger – Outer Pinion Bearing	54	Plate – Differential	23	Bolt – Drive Gear
9	Seal – Pinion Oil	55	Disc – Differential	24	Pinion – Differential
11	Washer – Pinion Nut	56	Plate – Differential (sel. thick.)	26	Thrustwasher – Diff. Pinion
12	Pinion Nut	57	Clip – Diff. Clutch Retainer	26	Thrustwasher – Diff. Pinion
15	Carrier Cover Gasket / Sealant	Differential Case (standard)		50	Gear – Differential
21	Shim – Differential Bearing	15	Carrier Cover Gasket / Sealant	51	Shaft – Differential
23	Bolt – Drive Gear	21	Shim – Differential Bearing	52	Snap Ring
Differential Case Assembly (standard)		22	Case – Differential	53	Spacer – Diff. Gear (dished)
15	Carrier Cover Gasket / Sealant	23	Bolt – Drive Gear	54	Plate – Differential
20	KIT – Differential Bearing	29	Lock – Differential Shaft	55	Disc – Differential
21	Shim – Differential Bearing	Differential Case (Powr-Lok)		56	Plate – Differential (sel. thick.)
22	Case – Differential	15	Carrier Cover Gasket / Sealant	57	Clip – Diff. Clutch Retainer
23	Bolt – Drive Gear	21	Shim – Differential Bearing		
24	Pinion – Differential	23	Bolt – Drive Gear		
25	Gear – Differential	38	Flange Half – Differential Case		
26	Thrustwasher – Diff. Pinion	39	Cap Half – Differential Case		
27	Thrustwasher – Diff. Gear	48	Bolt – Differential Case		
28	Shaft – Differential Pinion	Differential Case (Trac-Lok)			
29	Lock – Differential Shaft	15	Carrier Cover Gasket / Sealant		
Differential Case Assembly (Powr-Lok)		21	Shim – Differential Bearing		
15	Carrier Cover Gasket / Sealant	23	Bolt – Drive Gear		
20	KIT – Differential Bearing	29	Lock – Differential Shaft		
21	Shim – Differential Bearing	49	Case – Differential		
23	Bolt – Drive Gear	52	Snap Ring		
38	Flange Half – Differential Case	Differential Parts (standard)			
39	Cap Half – Differential Case	15	Carrier Cover Gasket / Sealant		
40	Shaft – Differential	23	Bolt – Drive Gear		
41	Pinion – Differential	24	Pinion – Differential		
42	Gear – Differential	25	Gear – Differential		
43	Ring – Differential Gear	26	Thrustwasher – Diff. Pinion		
44	Plate – Differential	27	Thrustwasher – Diff. Gear		
45	Disc – Differential	28	Shaft – Differential Pinion		
46	Disc – Differential (dished)	29	Lock – Differential Shaft		
47	Plate – Differential (dished)				
48	Bolt – Differential Case				

AMC/Jeep Model 44 Rear Axles Miscellaneous Small Parts — Use with All Applications

BILL OF MATERIAL BASE NUMBER	Brake Mounting		Inboard Shaft Seal (item 32)	Wheel Bearing Retaining Ring (item 33)	Wheel Bearing Assembly (item 34)	Outboard Shaft Seal (item 35)	Oil Seal Retainer (item 36)
	Bolt (item 30)	Nut (item 31)					
For C101, CJ5							
Axle B.M. 602292, 602297, 602882	(2)	35704	15969	—	(1) { 550228 } { 550183 }	(2)	(2)
For C101, CJ5, J10, Post Office Dispatcher, Post Office Van, Wagoneer & Cherokee							
Axle B.M. 603133, 603134, 603135, 603136, 603161, 603210, 603211, 603293, 603329, 603329, 603330, 603331, 603400, 603405, 603434, 603435, 603486, 603590, 603606	34616-1	35704	34419	36797	565903	35239	39155 5 Holes
For J10, J30, Wagoneer & Cherokee							
Axle B.M. 602552, 602850	(2)	35704	30367	—	(1) { 550228 } { 550183 }	(2)	(2)
For J10, Cherokee Chief, Wagoneer & Cherokee							
Axle B.M. 603467, 603468, 603469, 603549, 603550, 603566, 603601, 603602, 603660, 603661, 603677, 603678, 603688, 603734, 603746, 603747, 603748, 603749, 603381, 603912	37045	36805	34419	36797	565903	35239	39156 6 Holes

- (1) Not a Kit (1 each required for all applications listed)
(2) Contact Vehicle Manufacturer for Service

Carrier Cover Part Numbers

BILL OF MATERIAL BASE NUMBER	Carrier Cover Kit Part Number
Axle B.M. 602292, 602297, 602882, 603136, 603211, 603330,	706029X
Axle B.M. 602552, 602850, 603133, 603134, 603135, 603161, 603210, 603328, 603329, 603331, 603405, 603435	706101X
Axle B.M. 603590, 603606	706101-1X
Axle B.M. 603400, 603434	706102X
Axle B.M. 603467, 603486, 603549	706094X
Axle B.M. 603468, 603469, 603550, 603566	706095X
Axle B.M. 603601, 603660, 603677, 603688, 603734, 603749, 603748	706457X
Axle B.M. 603814, 603818, 603912	706691X
Axle B.M. 603602, 603661, 603678, 603746, 603747	706538X

AMC/Jeep Model 44 Rear Axles Axle Shaft Dimensions

Part Number	Spline		Flange Face to End of Spline	Flange Diameter	Bolts	
	Diameter & Number of Splines	Length			Circle Diameter	Number of Bolt Holes
26762-1X	1 5/16" -30	1 13/16"	25 9/16"	7 1/16"	5 1/2"	5
26762-2X	1 5/16" -30	1 13/16"	21 61/64"	7 1/16"	5 1/2"	5
26762-3X	1 5/16" -30	1 13/16"	20 1/16"	7 1/16"	5 1/2"	5
26762-4X	1 5/16" -30	1 13/16"	28 5/16"	7 1/16"	5 1/2"	5
26762-5X	1 5/16" -30	1 13/16"	24 11/16"	7 1/16"	5 1/2"	5
26762-6X	1 5/16" -30	1 13/16"	23 7/32"	7 1/16"	5 1/2"	5
26762-7X	1 5/16" -30	1 13/16"	31 21/32"	7 1/16"	5 1/2"	5
26762-8X	1 5/16" -30	1 13/16"	29 15/32"	7 1/16"	5 1/2"	5
26762-9X	1 5/16" -30	1 13/16"	34 15/32"	7 1/16"	5 1/2"	5
26762-17X	1 5/16" -30	1 13/16"	31 7/16"	7 1/16"	5 1/2"	5
26762-18X	1 5/16" -30	1 13/16"	29 15/64"	7 1/16"	5 1/2"	5
26762-19X	1 5/16" -30	1 13/16"	22 3/16"	7 1/16"	5 1/2"	5
26762-20X	1 5/16" -30	1 13/16"	26 15/16"	7 1/16"	5 1/2"	5
26762-21X	1 5/16" -30	1 13/16"	23 5/16"	7 1/16"	5 1/2"	5
26762-22X	1 5/16" -30	1 13/16"	26 9/64"	7 1/16"	5 1/2"	5
28497-1X	1 5/16" -30	1 13/16"	25 15/64"	7 1/16"	5 1/2"	6
28497-2X	1 5/16" -30	1 13/16"	31 43/64"	7 1/16"	5 1/2"	6
28497-3X	1 5/16" -30	1 13/16"	22 25/32"	7 1/16"	5 1/2"	6
28497-4X	1 5/16" -30	1 13/16"	34 1/8"	7 1/16"	5 1/2"	6
28497-5X	1 5/16" -30	1 13/16"	29 13/16"	7 1/16"	5 1/2"	6
28497-7X	1 5/16" -30	1 13/16"	28 13/16"	7 1/16"	5 1/2"	6
706028-9X	1 5/16" -30	1 13/16"	24 11/16"	7 1/16"	5 1/2"	5

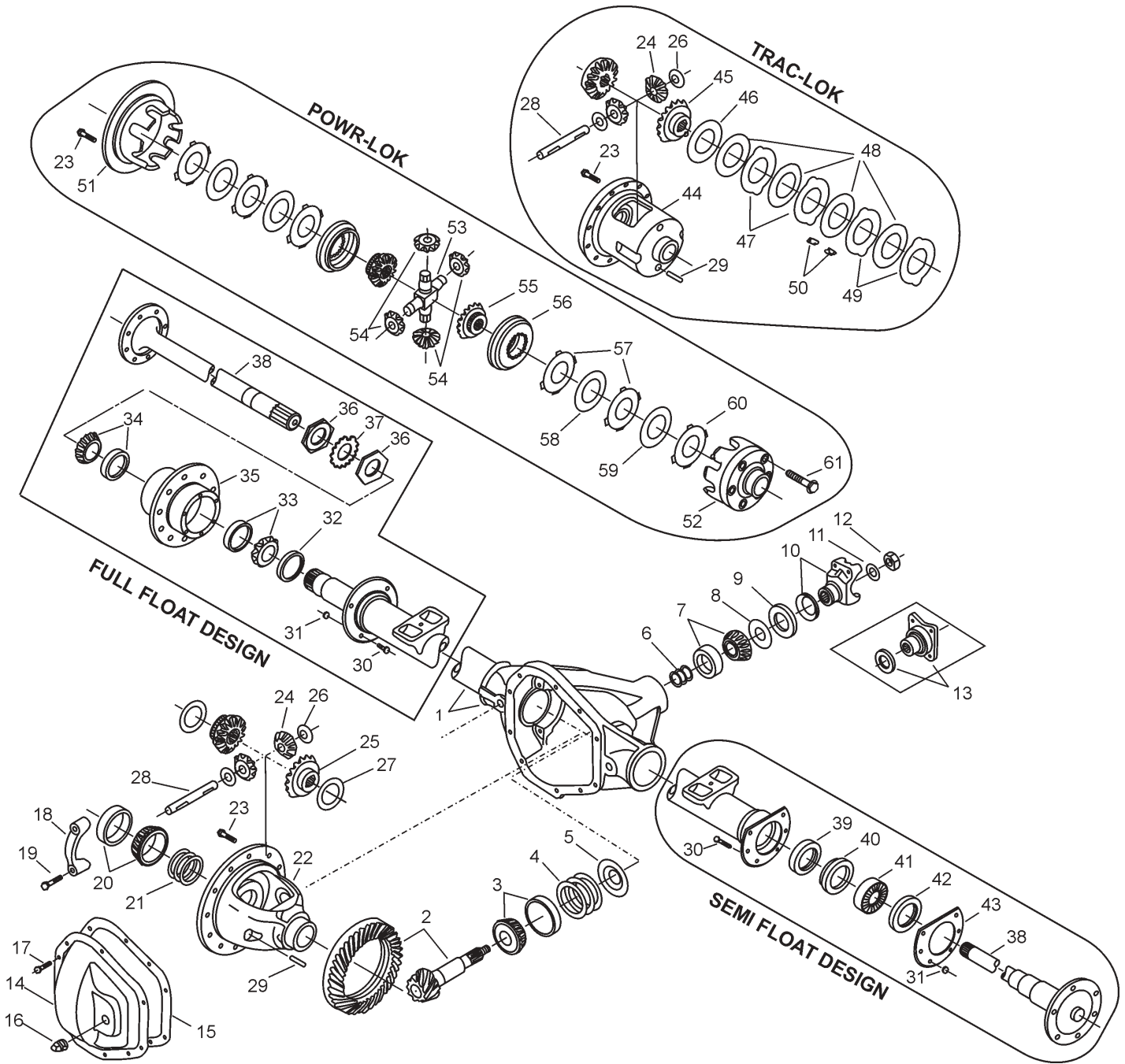
(7) See Ring Gear & Pinion Kits in XGI Catalog for ratio & tooth combinations.
 (8) See Differential Case Assy Kits in XGI Catalog for spline data & ratios.

AMC/Jeep 1974-1978

Model 60 Rear Axles for

**J20 Medium & Heavy Truck
1 Ton Post Office Van**

AMC/Jeep Model 60 Rear Axles Exploded View



AMC/Jeep Model 60 Rear Axles Parts Listing

ITEM NO.	PART IDENTIFICATION	ITEM NO.	PART IDENTIFICATION	ITEM NO.	PART IDENTIFICATION
1 ⁽¹⁾	Housing – Axle Service	23	Bolt – Drive Gear		Power-Lok & Trak-Lok Differential
2	Drive Pinion & Gear Assembly	24	Pinion – Differential		
3	KIT – Inner Pinion Bearing	25	Gear – Differential	44	Case – Differential
4	Shim – Drive Pinion	26	Thrustwasher – Diff. Pinion	45	Gear – Differential
5	Baffle – Pinion Bearing	27	Thrustwasher – Differential Gear	46	Spacer – Diff. Gear (dished)
6	Shim – Pinion Bearing	28	Shaft – Differential Pinion	47	Plate – Differential
7	KIT – Outer Pinion Bearing	29	Lock – Differential Shaft	48	Disc – Differential
8	Slinger – Outer Pinion Bearing	30	Brake Mounting Bolt	49	Plate – Diff. (selective thick.)
9	Seal – Pinion Oil	31	Brake Mounting Nut	50	Clip – Differential Clutch Retainer
10 ⁽²⁾	End Yoke Assembly	32	Hub Seal	51	Flange Half - Differential Case
11	Washer – Pinion Nut	33	KIT – Inner Wheel Bearing	52	Cap Half – Differential Case
12	Pinion Nut	34	KIT – Outer Wheel Bearing	53	Shaft – Differential
13 ⁽²⁾	Companion Flange Assembly	35 ⁽¹⁾	Wheel Hub	54	Pinion – Differential
14	Carrier Cover	36	Spindle Nut	55	Gear – Differential
15	Carrier Cover Gasket / Sealant	37	Lockwasher – Spindle Nut	56	Ring – Differential
16	Plug – Carrier Cover	38	Shaft – Axle Flanged Drive	57	Plate – Differential
17	Bolt – Carrier Cover	39	Seal – Inboard Shaft	58	Disc – Differential
18 ⁽¹⁾	Differential Bearing Cap	40	Retainer Ring – Wheel Bearing	59	Disc – Differential (dished)
19 ⁽¹⁾	Bolt – Differential Bearing Cap	41	Wheel Bearing Assembly	60	Plate – Differential (dished)
20	KIT – Differential Bearing	42	Seal – Outboard Shaft	61	Bolt – Differential Case
21	Shim – Differential Bearing	43	Retainer – Oil Seal		
22	Case – Differential				

(1) See "Bill of Material Table" on next page

(2) See "Variable Parts Table" within this section

(3) Contact Vehicle Manufacturer

(4) Not Sold Separately

AMC/Jeep Model 60 Rear Axles

Bill of Material Table

Axle			Axle Kits				Shaft & Joint Assy.	
Bill of Material	Diff. Type	Ratio	Ring Gear & Pinion Kit ⁽⁷⁾	Differential			Right Hand Shaft Assy.	Left Hand Shaft Assy.
				Case Assy. Kit ⁽⁸⁾	Case Kit	Inner Parts Kit		
1969-73 J20 Medium Truck								
603137-1	Standard	4.10	706660-3X	706180X	706668X	706671X	35508-1	35508-2
603137-2	Standard	4.88	706660-5X	706182X	706669X	706181X	35508-1	35508-2
603137-5	Powr-Lok	4.10	706660-3X	27094X	706174X	— ⁽³⁾	35508-1	35508-2
603137-6	Powr-Lok	4.88	706660-5X	27096X	706175X	— ⁽³⁾	35508-1	35508-2
603137-7	Trac-Lok	4.10	706660-3X	706662-4X	706666X	706670X	35508-1	35508-2
603137-8	Trac-Lok	4.88	706660-5X	706663-4X	706667X	706670X	35508-1	35508-2
1974-78 J20 Medium & Heavy Truck								
603470-1	Standard	4.10	706660-3X	706664X	706668X	706671X	31494-5	31494-6
603470-2	Standard	4.88	706660-5X	706665X	706669X	706671X	31494-5	31494-6
603470-3	Trac-Lok	4.10	706660-3X	706662X	706666X	706670X	31494-5	31494-6
603470-4	Trac-Lok	4.88	706660-5X	706663X	706667X	706670X	31494-5	31494-6
603470-5	Trac-Lok	3.73	706660-2X	706662X	706666X	706670X	31494-5	31494-6
603470-6	Standard	3.73	706660-2X	706664X	706668X	706671X	31494-5	31494-6
1969-73 J20 Heavy Truck								
603125-1	Standard	4.10	706660-3X	706664X	706668X	706671X	34887-4	34887-5
603125-2	Standard	4.88	706660-5X	706665X	706669X	706671X	34887-4	34887-5
603125-3	Powr-Lok	4.10	706660-3X	26519X	706174X	— ⁽³⁾	34887-4	34887-5
603125-4	Powr-Lok	4.88	706660-5X	26521X	706175X	— ⁽³⁾	34887-4	34887-5
603125-5	Trac-Lok	4.10	706660-3X	706662X	706666X	706670X	34887-4	34887-5
603125-6	Trac-Lok	4.88	706660-5X	706663X	706667X	706670X	34887-4	34887-5
1976-78 1 Ton Post Office Van								
603803-1	Trac-Lok	4.10	706660-3X	706662X	706666X	706670X	31494-8	31494-6

- (7) See Ring Gear & Pinion Kits in XGI Catalog for ratio & tooth combinations.
 (8) See Differential Case Assy Kits in XGI Catalog for spline data & ratios.
 (9) Not a Kit (same as Detroit KS-57B)

Axle Shaft Dimensions

Part Number	Spline		Flange Face to End of Spline	Flange Diameter	Bolts	
	Diameter & Number of Splines	Length			Circle Diameter	Number of Bolt Holes
31494-5	1 5/16" -30	1 13/16"	33 3/16"	4 1/2"	3 23/32"	8
31494-6	1 5/16" -30	1 13/16"	39 3/16"	4 1/2"	3 23/32"	8
31494-8	1 5/16" -30	1 13/16"	30 23/32"	4 1/2"	3 23/32"	8
34887-4	1 5/16" -30	1 13/16"	31 7/8"	4 3/4"	3 31/32"	8
34887-4	1 5/16" -30	1 13/16"	37 7/8"	4 3/4"	3 31/32"	8
35508-1	1 1/2" -35	1 13/16"	29 7/32"	7 1/16"	5 1/2"	5
35508-2	1 1/2" -35	1 13/16"	35 25/32"	7 1/16"	5 1/2"	5

- (7) See Ring Gear & Pinion Kits in XGI Catalog for ratio & tooth combinations.
 (8) See Differential Case Assy Kits in XGI Catalog for spline data & ratios.
 (9) Use Internal Parts from Case Assembly
 N.L.A. Tapered Shafts No Longer Available

AMC/Jeep Model 60 Rear Axles Kit Components



ITEM NO.	DESCRIPTION	ITEM NO.	DESCRIPTION	ITEM NO.	DESCRIPTION
Drive Pinion & Gear Assembly		Differential Case Assembly (Trac-Lok)		Differential Parts (Powr-Lok)	
2	Drive Pinion & Gear Assembly	15	Carrier Cover Gasket / Sealant	15	Carrier Cover Gasket / Sealant
3	KIT – Inner Pinion Bearing	20	KIT – Differential Bearing	53	Shaft – Differential
4	Inner Pinion Shims	21	Shim – Differential Bearing	54	Pinion – Differential
5	Baffle – Pinion Bearing	23	Bolt – Drive Gear	55	Gear – Differential
6	Outer Pinion Shims	24	Pinion – Differential	56	Ring – Differential Gear
7	KIT – Outer Pinion Bearing	26	Thrustwasher – Diff. Pinion	57	Plate – Differential
8	Slinger – Outer Pinion Bearing	28	Shaft – Differential	58	Disc – Differential
9	Seal – Pinion Oil	29	Lock – Differential Shaft	59	Disc – Differential (dished)
11	Washer – Pinion Nut	44	Case – Differential	60	Plate – Differential (dished)
12	Pinion Nut	45	Gear – Differential		
15	Carrier Cover Gasket / Sealant	46	Spacer – Diff. Gear (dished)	Differential Parts (Trac-Lok)	
21	Shim – Differential Bearing	47	Plate – Differential	15	Carrier Cover Gasket / Sealant
23	Bolt – Drive Gear	48	Disc – Differential	23	Bolt – Drive Gear
Differential Case Assembly (standard)		49	Plate – Differential	24	Pinion – Differential
15	Carrier Cover Gasket / Sealant	50	Clip – Diff. Clutch Retainer	26	Thrustwasher – Diff. Pinion
20	KIT – Differential Bearing	Differential Case (standard)		28	Shaft – Differential
21	Shim – Differential Bearing	15	Carrier Cover Gasket / Sealant	29	Lock – Differential Shaft
22	Case – Differential	21	Shim – Differential Bearing	45	Gear – Differential
23	Bolt – Drive Gear	22	Case – Differential	46	Spacer – Diff. Gear (dished)
24	Pinion – Differential	23	Bolt – Drive Gear	47	Plate – Differential
25	Gear – Differential	29	Lock – Differential Shaft	48	Disc – Differential
26	Thrustwasher – Diff. Pinion	Differential Case (Powr-Lok)		49	Plate – Differential
27	Thrustwasher – Diff. Gear	15	Carrier Cover Gasket / Sealant	50	Clip – Diff. Clutch Retainer
28	Shaft – Differential Pinion	21	Shim – Differential Bearing		
29	Lock – Differential Shaft	23	Bolt – Drive Gear		
Differential Case Assembly (Powr-Lok)		51	Flange Half – Differential Case		
15	Carrier Cover Gasket / Sealant	52	Cap Half – Differential Case		
20	KIT – Differential Bearing	61	Bolt – Differential Case		
21	Shim – Differential Bearing	Differential Case (Trac-Lok)			
23	Bolt – Drive Gear	15	Carrier Cover Gasket / Sealant		
51	Flange Half – Differential Case	21	Shim – Differential Bearing		
52	Cap Half – Differential Case	23	Bolt – Drive Gear		
53	Shaft – Differential	29	Lock – Differential Shaft		
54	Pinion – Differential	44	Case – Differential		
55	Gear – Differential	Differential Parts (standard)			
56	Ring – Differential Gear	15	Carrier Cover Gasket / Sealant		
57	Plate – Differential	23	Bolt – Drive Gear		
58	Disc – Differential	24	Pinion – Differential		
59	Disc – Differential (dished)	25	Gear – Differential		
60	Plate – Differential (dished)	26	Thrustwasher – Diff. Pinion		
61	Bolt – Differential Case	27	Thrustwasher – Diff. Gear		
		28	Shaft – Differential Pinion		
		29	Lock – Differential Shaft		

AMC/Jeep Model 60 Rear Axles Common Axle Kits - Use with All Applications

ITEM NO.	DESCRIPTION	KIT PART NUMBER	ITEM NO.	DESCRIPTION	KIT PART NUMBER
Inner Pinion Bearing			Differential Bearing Adjusting Shim		
3	KIT – Inner Pinion Bearing	706046X	15	Carrier Cover Gasket / Sealant	706673X
Outer Pinion Bearing			21	Shim – Differential Bearing	
7	KIT – Outer Pinion Bearing	706045X	Differential & Pinion Shim		
Outer Pinion Bearing			4	Shim – Drive Pinion Adjusting	706674X
Outer Pinion Bearing		6	Shim – Pinion Bearing Adjusting		
20	KIT – Differential Bearing	11	Washer – Pinion Nut		
Pinion & Bearing Adjusting Shim		12	Pinion Nut		
4	Shim – Drive Pinion Adjusting	15	Carrier Cover Gasket / Sealant		
6	Shim – Pinion Bearing Adjusting	21	Shim – Differential Bearing		
12	Pinion Nut				
15	Carrier Cover Gasket / Sealant				

When replacing Carrier Cover Gasket, replace with same type originally used. RTV tube gasket recommended for use on flat flange type cover. Paper or cork gasket recommended for use on ribbed flange cover.

Miscellaneous Small Parts - Use With All Applications

Full-Float Design

VEHICLE MODEL & BILL OF MATERIAL BASE NUMBER	Brake Mounting		Hub Seal (item 32)	Inner Wheel Bearing		Outer Wheel Bearing		Spindle Nut (item 36)	Spindle Lockwasher (item 37)
	Bolt (item 30)	Nut (item 31)		Cup (item 33)	Cone (item 34)				
For J20 Model	Contact Vehicle Manufacturer for Service								
Axle B.M. 603125									
Axle B.M. 603470	500411-10	36805	35697	(3)	550189	(3)	550390	30636	30637
For Post Office Van									
Axle B.M. 603803	500411-10	36805	35697	550232	550189	550369	550390	30636	30637

(3) Contact Vehicle Manufacturer for Service

Semi-Float Design

VEHICLE MODEL & BILL OF MATERIAL BASE NUMBER	Brake Mounting		Inboard Shaft Seal (item 39)	Wheel Bearing Retaining Ring (item 40)	Wheel Bearing Assembly (item 41)	Outboard Shaft Seal (item 42)	Oil Seal Retainer (item 43)
	Bolt (item 30)	Nut (item 31)					
For J20 Model							
Axle B.M. 603137	34616-1	35704	35512	35961	565904	35511	35510